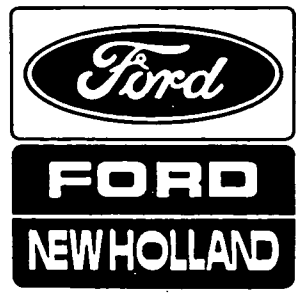
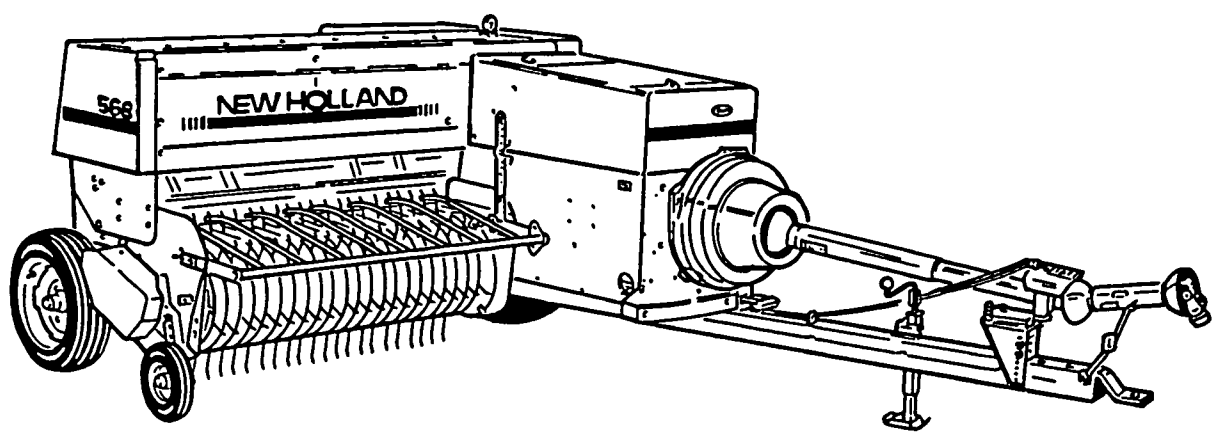


910806

Service Parts Catalog
Liste de Pièces De Rechange
Ersatzteilliste
Catalogo Pezzi di Ricambio
Onderdelenlijst



MODEL 568
SQUARE BALER



Catalog 5056810

ISSUE 6-91

Printed in the U.S.A.

MODEL 568 SQUARE BALER**GENERAL INFORMATION**

1. Whenever the terms left or right are used, it should be understood to mean from a position facing in direction of travel.
2. Throughout this manual you find common hardware not illustrated, but listed in the description column. The service part immediately preceding a hardware listing is the part using these particular items for mounting purposes. This hardware is not included with the service part or assembly when ordered as a replacement.
3. Ford New Holland, Inc. is continually striving to improve its products. We must, therefore, reserve the right to make improvements or changes when it becomes practical and possible to do so, without incurring any obligation to make changes or additions to the equipment sold previously.

ALWAYS USE GENUINE FORD NEW HOLLAND PARTS

FORD NEW HOLLAND INC., 500 DILLER AVENUE, NEW HOLLAND, PA 17557

MODEL 568 SQUARE BALER

MODEL 568 SQUARE BALER CONTENTS

GROUP	PAGE NUMBER
Hitch	1-7
Tongue	1-7
Jack	1-9
Axle	1-11
Wheels & Tires	1-11
Main Frame	1-15
Housing Feeder and Right Side	1-17, 1-19
Housing Left side	1-21
PTO Power Pivot	1-23
PTO, Front	1-25
PTO, Rear	1-27
Clutch	1-29
Gearbox, Gearbox Breakdown	1-31, 1-33, 1-35
Flywheel	1-31
Drives Shaft	1-37, 1-39
Drives	1-41
Pickup Finger and Shaft	1-43
Pivot Pipe	1-45
Windguard	1-47
Pickup Wheel	1-47
Drive Train and Track	1-49
Finger Bar	1-51
Shielding, Feeder	1-53, 1-55
Plunger	1-57, 1-59
Needle and Yoke	1-61
Needle Safety Latch	1-63
Knotter	1-65, 1-67
Knotter Frame	1-69
Twine Box	1-71, 1-73
Metering Wheel	1-75
Bale Chute	1-77
Hydraformatic Bale Tension Kit	1-81, 1-83, 1-85, 1-87

ATTACHMENTS AND OPTIONAL EQUIPMENT

Safety Tow Chain	1-7
Hitch and Chute Kit	1-79
Hydraulic Tongue Swing Kit	1-89, 1-91
Slow-Moving Vehicle Sign	1-11
Feeder Tooth	1-51
Decal Sign Set #9820122, Ford Medallion #9619679	1-19
Numerical Index	1-92 thru 1-105
Finis Index	1-106 thru 1-114
Recommended Initial Parts Stock	1-115
General Information	1-2
Metric Information	1-4, 1-5

MODEL 568 SQUARE BALER**METRIC AND INCH HARDWARE**

Allowances have been made in punched and drilled holes to allow interchangeability of metric and inch dimension hardware in fastening and mounting applications. However, this interchangeability does not apply to tapped holes or using metric dimension nuts on inch cap screws, studs and bolts. Likewise, inch dimension nuts cannot be used on metric cap screws, studs or bolts.

Following is a listing of Common sizes for substitution.

Inches	Millimeters
--------	-------------

Screw Diameter	
----------------	--

3/16"	5 mm
1/4"	6 mm
5/16"	8 mm
*3/8"	*10 mm
1/2"	12 mm
9/16"	14 mm
5/8"	16 mm

Screw Length	
--------------	--

5/8"	15 mm
3/4"	20 mm
*1	*25 mm
1-1/4"	30 mm
1-3/8"	35 mm
1-1/2"	40 mm
1-3/4"	45 mm
2"	50 mm
2-1/4"	60 mm
2-3/4"	70 mm
3"	80 mm
3-1/2"	90 mm
4"	100 mm

- * **EXAMPLE:** For most applications a 3/8" x 1" cap screw and nut can be replaced by a 10 mm x 25 mm cap screw and nut.

For additional size information and possible substitutions, either inch to metric or metric to inch, please refer to the conversion table in this catalog.

MODEL 568 SQUARE BALER

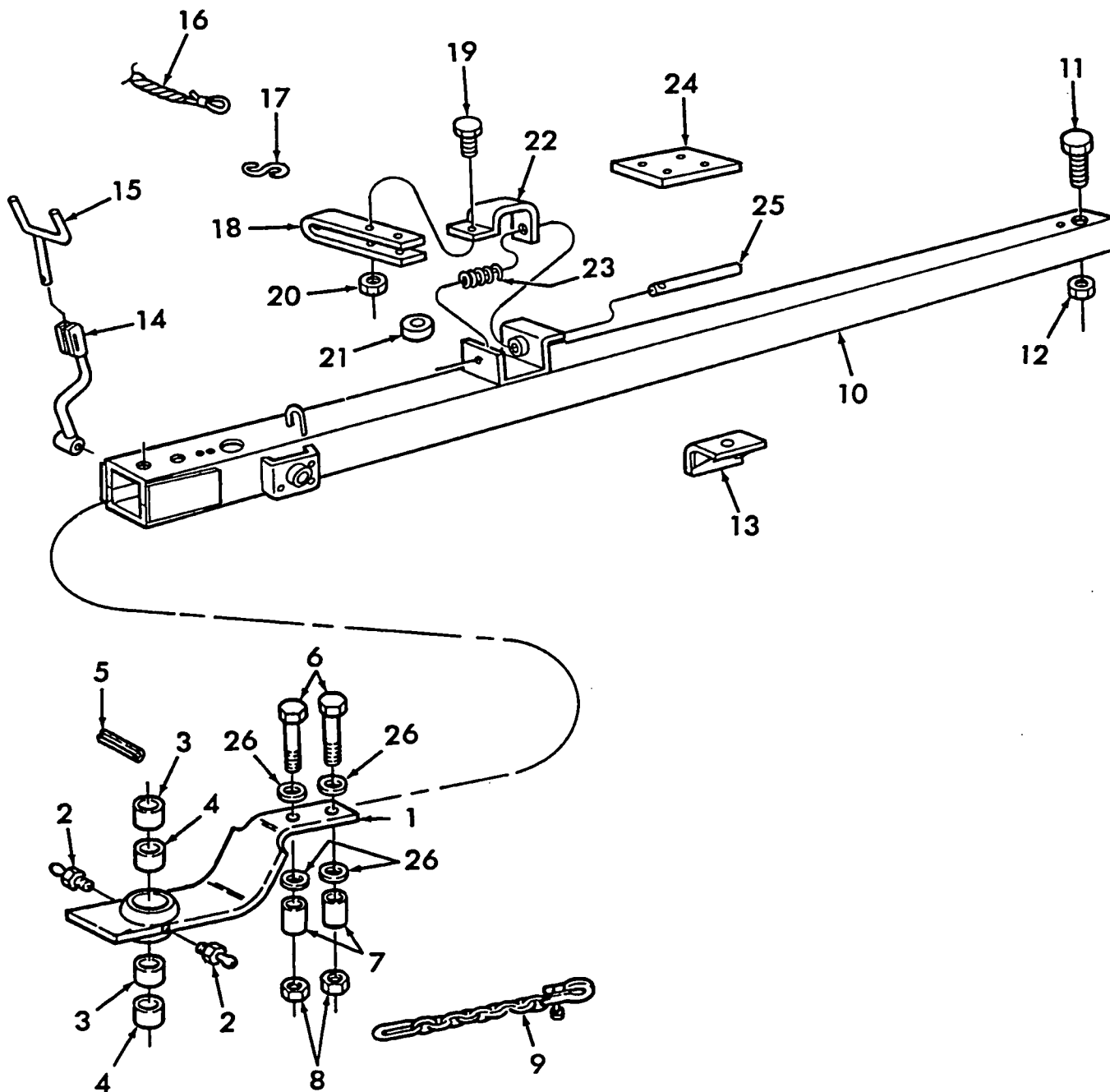
CONVERSION CHART

Inch Fractions and decimals to Millimeter Equivalents

INCHES		mm	INCHES		mm	INCHES		mm	INCHES		mm
Fraction	Decimal		Fraction	Decimal		Fraction	Decimal		Fraction	Decimal	
-	.0004	.01	-	.3	7.620	-	.7874	20	-	1.969	50
-	.001	.0250	5/16	.3125	7.938	51/64	.7969	20.241	2	2.000	50.8
-	.0039	.10	-	.3150	8	13/16	.8125	20.638	2-1/8	2.125	54
-	.005	.127	21/64	.3281	8.334	-	.8268	21	-	2.165	55
-	.0079	.2	-	.3346	8.5	53/64	.8281	21.034	2-1/4	2.250	57.2
-	.0098	.25	11/32	.3438	8.731	27/32	.8438	21.431	-	2.362	60
-	.01	.254	-	.3543	9	55/64	.8594	21.828	2-3/8	2.375	60.3
-	.0118	.3	23/64	.3594	9.128	-	.8662	22	2-1/2	2.500	63.5
1/64	.0156	.397	-	.3740	9.5	7/8	.8750	22.225	-	2.559	65
-	.0157	.4	3/8	.375	9.525	57/64	.8906	22.622	2-5/8	2.625	66.7
-	.0197	.5	25/64	.3906	9.922	-	.9	22.860	2-3/4	2.750	69.9
-	.0236	.6	-	.3937	10	-	.9055	23	-	2.756	70
-	.025	.635	-	.4	10.160	29/32	.9063	23.019	2-7/8	2.875	73
-	.0276	.7	13/32	.4062	10.319	59/64	.9219	23.416	-	2.953	75
-	.0295	.75	-	.4134	10.5	15/16	.9375	23.813	3	3.000	76.2
1/32	.0313	.794	27/64	.4219	10.716	-	.9449	24	-	3.150	80
-	.0315	.8	-	.4331	11	61/64	.9531	24.209	3-1/4	3.250	82.6
-	.0354	.9	7/16	.4375	11.113	31/32	.9688	24.606	-	3.346	85
-	.0394	1	29/64	.4531	11.509	-	.9843	25	3-1/2	3.500	88.9
3/64	.0469	1.191	15/32	.4688	11.906	1	1.000	25.400	-	3.543	90
-	.0472	1.2	-	.4724	12	-	1.024	26	-	3.740	95
-	.05	1.270	31/64	.4844	12.303	1-1/16	1.062	26.988	3-3/4	3.750	95.3
-	.0551	1.4	-	.4921	12.5	-	1.063	27	-	3.937	100
-	.0591	1.5	1/2	.5	12.700	-	1.102	28	4	4.000	101.6
1/16	.0625	1.588	-	.5118	13	1-1/8	1.125	28.575	-	4.331	110
-	.0669	1.7	33/64	.5156	13.097	-	1.142	29	4-1/2	4.500	114.3
-	.075	1.905	17/32	.5326	13.494	-	1.181	30	-	4.724	120
5/64	.0781	1.984	-	.5315	13.5	1-3/16	1.188	30.16	5	5.000	127
-	.0787	2	35/64	.5469	13.891	-	1.221	31	-	5.118	130
-	.0906	2.3	-	.5512	14	1-1/4	1.250	31.75	5-1/2	5.500	139.7
3/32	.0938	2.381	9/16	.5625	14.288	-	1.260	32	-	5.512	140
-	.0984	2.5	-	.571	14.5	-	1.299	33	-	5.906	150
-	.1	2.540	37/64	.5781	14.684	1-5/16	1.312	33.34	6	6.000	152.4
-	.1024	2.6	-	.5906	15	-	1.339	34	-	6.299	160
7/64	.1093	2.776	19/32	.5938	15.081	1-3/8	1.375	34.93	6-1/2	6.500	165.1
-	.1181	3	-	.6	15.240	-	1.378	35	7	7.000	177.8
1/8	.125	3.175	39/64	.6094	15.478	-	1.417	36	-	7.087	180
-	.1378	3.5	-	.6103	15.5	1-7/16	1.438	36.51	7-1/2	7.500	190.5
9/64	.1406	3.572	5/8	.6250	15.875	-	1.457	37	-	7.874	200
5/32	.1563	3.969	-	.6299	16	-	1.496	38	8	8.000	203.2
-	.1575	4	41/64	.6406	16.272	1-1/2	1.500	38.10	8-1/2	8.500	215.9
11/64	.1719	4.366	-	.6496	16.5	-	1.535	39	-	8.661	220
-	.1772	4.5	21/32	.6563	16.669	1-9/16	1.562	39.69	9	9.000	228.6
3/16	.1875	4.763	-	.6693	17	-	1.575	40	-	9.449	240
-	.1969	5	43/64	.6719	17.066	-	1.614	41	9-1/2	9.500	241.3
-	.2	5.080	11/16	.6875	17.463	1-5/8	1.625	41.28	-	9.843	250
13/64	.2031	5.159	-	.6890	17.5	-	1.654	42	10	10.000	254
-	.2165	5.5	-	.7	17.780	1-11/16	1.688	42.86	-	10.236	260
7/32	.2188	5.556	45/64	.7031	17.859	-	1.693	43	11	11.000	279.4
15/64	.2344	5.953	-	.7087	18	-	1.732	44	-	11.024	280
-	.2362	6	23/32	.7188	18.256	1-3/4	1.750	44.45	-	11.811	300
1/4	.25	6.350	-	.7283	18.5	-	1.772	45	12	12.000	304.8
-	.2559	6.5	47/64	.7344	18.653	-	1.811	46	13	13.000	330.2
17/64	.2656	6.747	-	.7480	19	1-13/16	1.813	46.04	-	13.780	350
-	.2756	7	3/4	.75	19.050	-	1.850	47	14	14.000	355.6
9/32	.2813	7.144	49/64	.7656	19.447	1-7/8	1.875	47.63	15	15.000	381
-	.2953	7.5	-	.7677	19.5	-	1.890	48	-	15.748	400
19/64	.2969	7.541	25/32	.7813	19.844	-	1.929	49	16	16.000	406.4

MODEL 568 SQUARE BALER

FIG. 1 - HITCH AND TONGUE



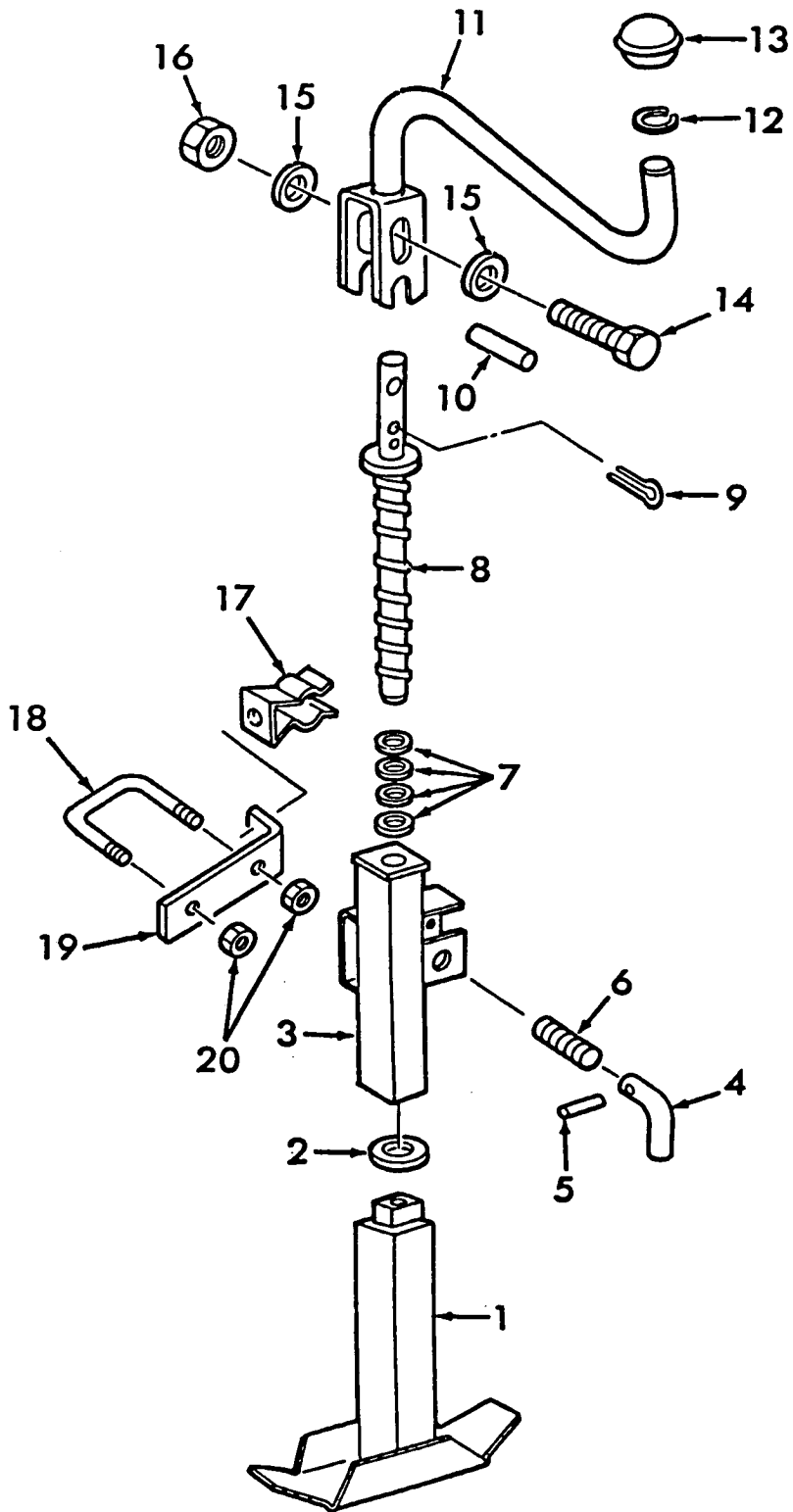
MODEL 568 SQUARE BALER

FIG. 1 - HITCH AND TONGUE

REF	FN	PART NUMBER	FINIS	YR/SN	QTY	DESCRIPTION
1		9804056	9804056		1	Hitch Weld Assembly
2		87414	8087414		2	Includes: 2 Fitting - Lube - 1/4" - 28 Straight - Self-Tapping
3		9820250	9820250		1	Sleeve
4		9820243	9820243		1	Sleeve
5		88401	8088401		1	Pin - Groove - 3/16" x 5/8"
6		120215	8120215		2	Bolt - M16 x 190 mm
7		9803878	9803878		2	Spacer
8		100039	8100039		2	Nut - Lock - M16
9		854993	8854993		1	Chain - Safety Tow
		855228	8855228		1	Kit - Safety Chain Hardware
10		849061	8849061		1	Tongue Weld Assembly
11		381523	8381523		1	Screw - Cap Hex Hd. - CL8.8 - M20 x 210 mm
12		380424	8849346		1	Nut - Lock - M20
13		849346	8849346		1	Stop Weld Assembly
		120120	8120120		1	Screw - Cap - Hex Hd. - CL8.8 - M12 x 30 mm
		140046	8140046		1	Washer - Lock - M12
		337475	8337475		1	Nut - M12
14		449922	8449922		1	Support Weld Assembly
		87381	8087381		1	Washer - 3/4" SAE
		80744	8080744		1	Pin - Cotter - 5/32" x 1"
15		449921	8449921		1	Hook Weld Assembly
		300508	8300508		1	Screw - Cap - Hex Hd. - CL8.8 - M6 x 45 mm
		80701	8080701		2	Washer - 1/4"
		353308	8353308		1	Nut - Lock - M6
16		175707	8175707		1	Rope
17		34455	8034455		1	S-Hook
18		226245	8226245		1	Latch
19		120060	8120060		1	Screw - Cap Hex Hd. - CL8.8 - M8 x 50 mm
20		100067	8100067		1	Nut - Lock - M8
21		228127	8228127		1	Spacer
		120106	8120106		1	Screw - Cap - Hex Hd. - M8 x 40 mm
		100067	8100067		1	Nut - Lock - M8
22		226244	8226244		1	Bracket
23		26392	8026392		1	Spring
24		785127	8785127		1	Pad
25		851968	8851968		1	Pin - Latch
26		130358	8130358		4	Washer

MODEL 568 SQUARE BALER

FIG. 2 - JACK



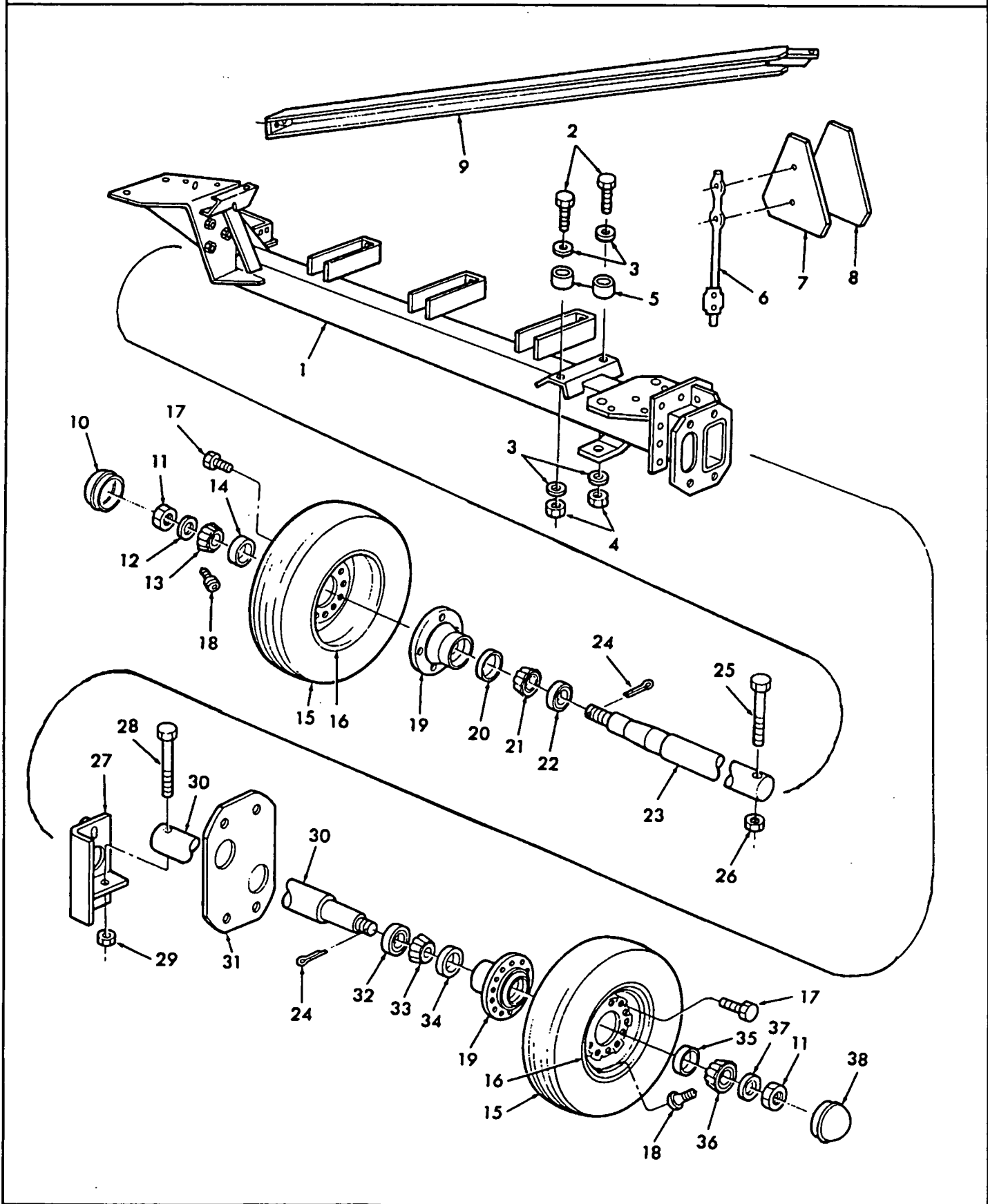
MODEL 568 SQUARE BALER

FIG. 2 - JACK

REF	FN	PART NUMBER	FINIS	YR/SN	QTY	DESCRIPTION
1		528735	8528735		1	Jack Tube Weld Assembly - Inside
2		50600	8050600		1	Washer - 7/8" ID x 1-1/2" OD x .062" Thick
3		122483	8122483		1	Jack Weld Assembly
		87414	8087414		1	Fitting - Lube - 1/4" - 28 - Self-Tapping
4		128375	8128375		1	Pin - Jack
5		87455	8087455		1	Pin - Spring - 1/8" x 1"
6		26538	8026538		1	Spring
7		11438	8011438		4	Washer - 49/64" ID x 1-3/8" OD
8		713847	8713847		1	Jack Screw Weld Assembly
9		87398	8087398		1	Pin - Cotter - 3/16" x 1-1/4"
10		87406	8087406		1	Pin - Roll - 1/4" x 1-1/2"
11		169702	8169702		1	Crank Weld Assembly
12		129345	8129345		1	Ring - Retaining
13		129344	8129344		1	Knob
14		88436	8088436		1	Screw - Cap - Hex Hd. - 3/8" x 2"
15		80702	8080702		2	Washer - 3/8"
16		88902	8088902		1	Nut - Lock 3/8"
17		163902	8163902		1	Clip - Spring
		87279	8087279		1	Screw - Cap - Hex Hd. - 1/4" x 5/8"
		84922	8084922		1	Nut - Speed - 1/4"
18		217391	8217391		1	U-Bolt
19		217392	8217392		1	Bracket
20		280129	8280129		2	Nut - Lock 1/4"

MODEL 568 SQUARE BALER

FIG. 3 - AXLE AND WHEEL



MODEL 568 SQUARE BALER

FIG. 3 - AXLE AND WHEEL

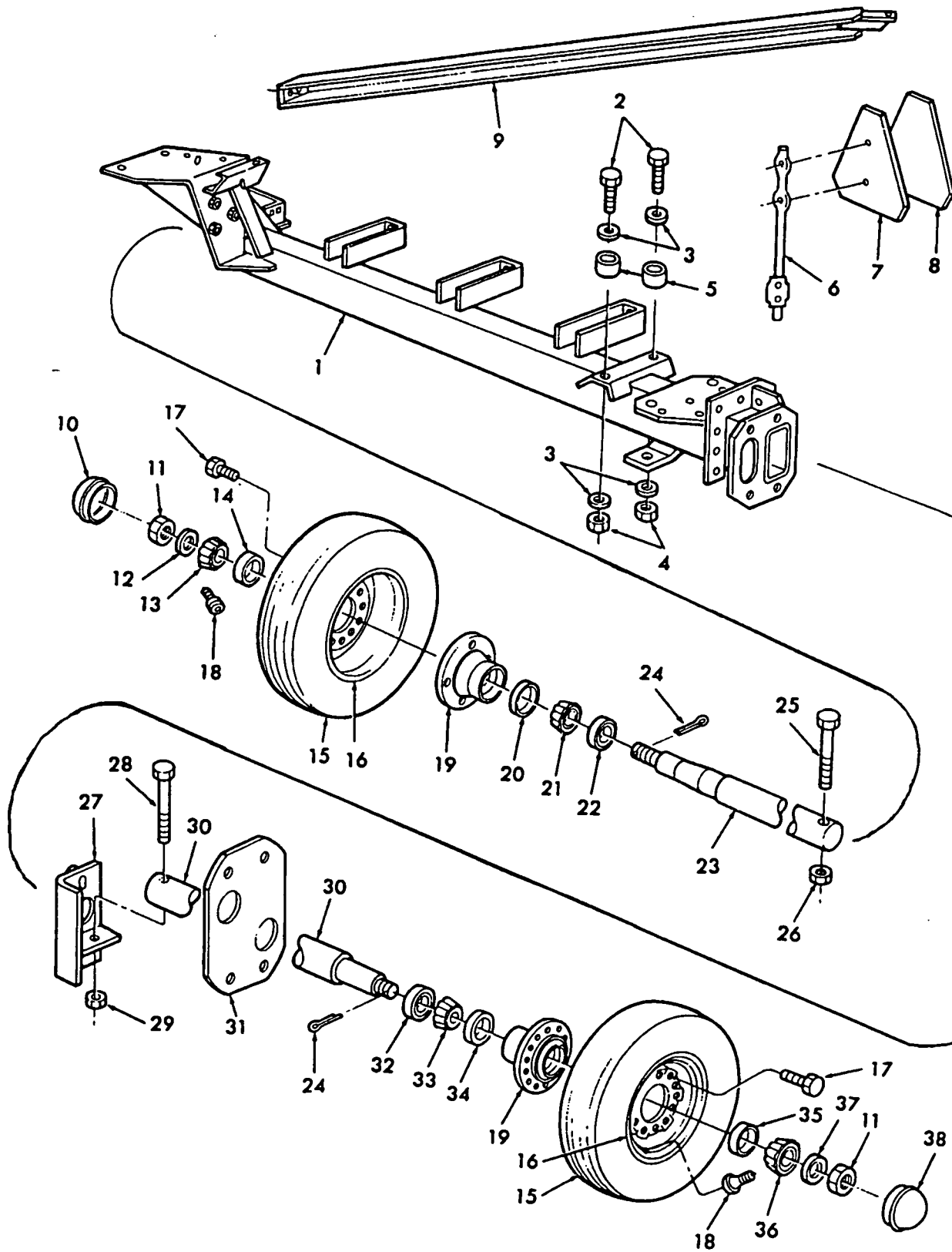
REF	FN	PART NUMBER	FINIS	YR/SN	QTY	DESCRIPTION
1		849394	8849394		1	Axle Weld Assembly
		120079	8120079		2	Screw - Cap - Hex Hd. - M12 x 40 mm
		65319	8065319		4	Washer - 1/2" - Heat Treated
		100038	8100038		2	Nut - Lock - M12
2		120068	8120068		2	Screw - Cap - Hex Hd. - M10 x 40 mm
3		285072	8285072		4	Washer - 3/8" - Heat Treated
4		100037	8100037		2	Nut - Lock - M10
5		698872	8698872		2	Spacer
6		195036	8195036		1	Pole Mount Weld Assembly
7		189759	8189759		1	Decal - Slow-Moving Vehicle on Metal Plate Includes: 8
		84821	8084821		2	Screw - Machine - Truss Hd. - #10 x 1/2"
		80684	8080684		2	Washer - Lock - #10
		87304	8087304		2	Nut - Hex - #10
8		189396	8189396		1	Decal - Slow-Moving Vehicle
9		9604376	9604376		1	Brace Weld Assembly
		120041	8120041		2	Bolt - Carriage - M10 x 20 mm
		120044	8120044		1	Bolt - Carriage - M12 x 30 mm
		140045	8140045		2	Washer - Lock - M10
		140046	8140046		1	Washer - Lock - M12
		100016	8100016		2	Nut - M10
		337475	8337475		1	Nut - M12
10		249130	8249130		1	Cap - Hub - R.H.
11		412106	8412106		2	Nut - Hex Jam M20 x 1.5 mm
12		87381	8087381		1	Washer - 3/4" SAE
13		574809	8574809		1	Cone - Bearing
14		574810	8574810		1	Cup - Bearing
15		NS	8620839		AR	Tire - Terra Rib - 25 x 7:50 - 15-6 Ply - Flotation - R.H. - Procure Locally
		NS	8245746		AR	Tire - Grooved Implement - 11L-14 6 Ply - Flotation - L.H. - Procure Locally
16		217229	8217229		AR	Wheel - Disc - 4 Bolt - Flotation - R.H.
		714718	8714718		AR	Wheel - Disc - 6 Bolt - Flotation - L.H.
17		32383	8032383		AR	Bolt - Wheel
18		196033	8196033		AR	Valve - Tubeless Tire - R.H.
		182692	8182692		AR	Valve - Tubeless Tire - L.H.
19		132158	8132158		1	Hub - Wheel - R.H.
		127587	8127587		1	Hub - Wheel - L.H.
20		36723	8036723		1	Cup - Bearing
21		36726	8036726		1	Cone - Bearing
22		36727	8036727		1	Seal - Oil
23		848956	8848956		1	Spindle - R.H.
24		84887	8084887		2	Pin - Cotter
25		120093	8120093		1	Screw - Cap - Hex Hd. - CL8.8 - M16 x 80 mm
26		100039	8100039		1	Nut - Lock - M16

AR - As Required

NS - Not Serviced - Procure Locally

MODEL 568 SQUARE BALER

FIG. 3 - AXLE AND WHEEL



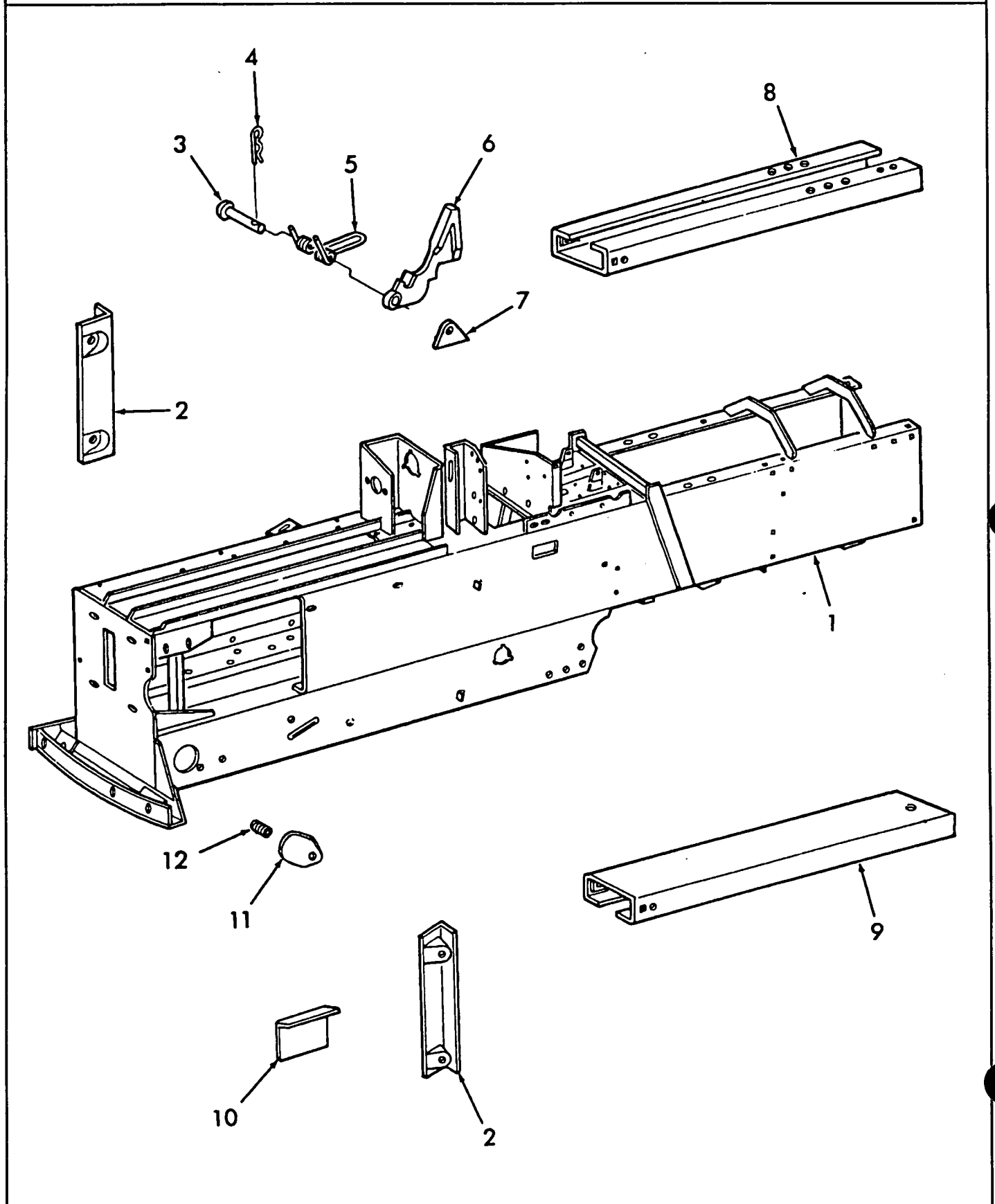
MODEL 568 SQUARE BALER

FIG. 3 - AXLE AND WHEEL

REF	FN	PART NUMBER	FINIS	YR/SN	QTY	DESCRIPTION
27		849413	8849413		1	Angle Weld Assembly
		120081	8120081		2	Screw - Cap - Hex Hd. - M12 x 50 mm
		65319	8065319		3	Washer - 1/2" - Heat Treated
		140046	8140046		1	Washer - Lock - M12
		100038	8100038		1	Nut - Lock - M12
		337475	8337475		1	Nut - M12
28		412085	8412085		1	Screw - Cap - Hex Hd. - CL10.9 - M12 x 80 mm
29		100038	8100038		1	Nut - Lock - M12
30		9604345	9604345		1	Spindle
31		849416	8849416		1	Plate - Spindle
		120090	8120090		4	Screw - Cap - Hex Hd. - M16 x 50 mm
		781316	8781316		8	Washer - Heat Treated
		100039	8100039		4	Nut - Lock - M16
32		100412	8100412		1	Seal
33		36057	8036057		1	Cone - Bearing
34		72062	8072062		1	Cup - Bearing
35		48976	8048976		1	Cup - Bearing
36		48977	8048977		1	Cone - Bearing
37		84239	8084239		1	Washer - 3/4"
38		249127	8249127		1	Cap - Hub - L.H.

MODEL 568 SQUARE BALER

FIG. 4 - MAIN FRAME



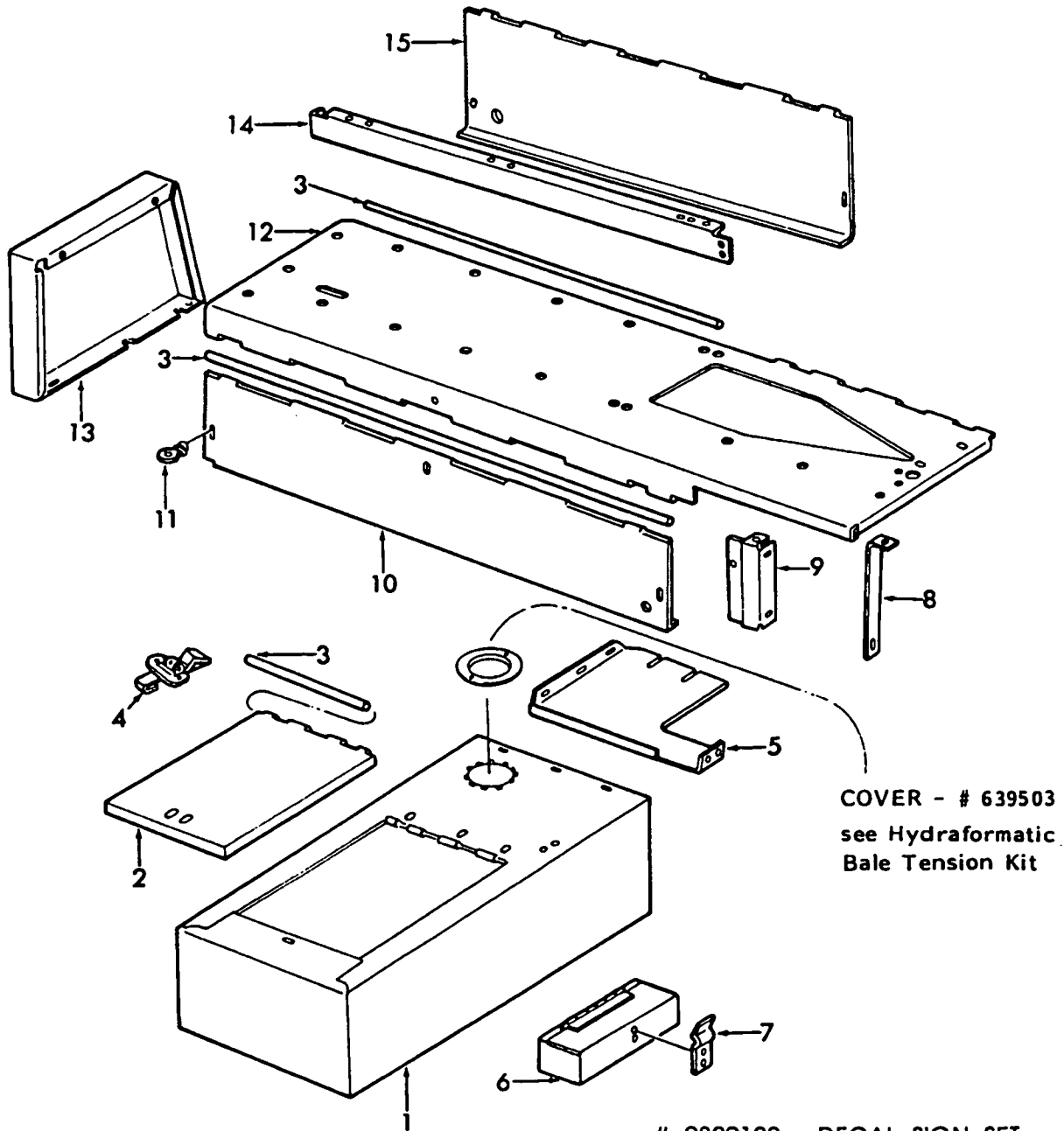
MODEL 568 SQUARE BALER

FIG. 4 - MAIN FRAME

REF	FN	PART NUMBER	FINIS	YR/SN	QTY	DESCRIPTION
1		9809417	9809417		1	Bale Chamber Weld Assembly
		571382	8571382		1	Fitting - Lube
2		32124	8032124		2	Side - Hay Stop
		120111	8120111		4	Screw - Cap - Hex Hd. - M10 x 30 mm
		140045	8140045		2	Washer - Lock - M10
		100037	8100037		4	Nut - Lock - M10
3		771478	8771478		6	Pin
4		216698	8216698		6	Pin - Hair Cotter
5		771477	8771477		6	Spring
6		714862	8714862		6	Dog - Plunger
7		854913	8854913		6	Stop - Plunger Dog
		120106	8120106		6	Screw - Cap - Hex Hd. - M8 x 40 mm
		100067	8100067		6	Nut - Lock - M8
8		848477	8848477		1	Upper Tension Rail Weld Assembly
9		848479	8848479		1	Lower Tension Rail Weld Assembly
10		848456	8848456		1	Cover
11		321662	8321662		1	Cover
		120033	8120033		1	Bolt - Carriage - M6 x 30 mm
		80701	8080701		1	Washer - 1/4"
		353308	8353308		1	Nut - Lock - Hex - M6
12		130293	8130293		1	Spring

MODEL 568 SQUARE BALER

FIG. 5 - HOUSING, FEEDER AND RIGHT SIDE



9820122 - DECAL SIGN SET
9619679 - FORD MEDALLION

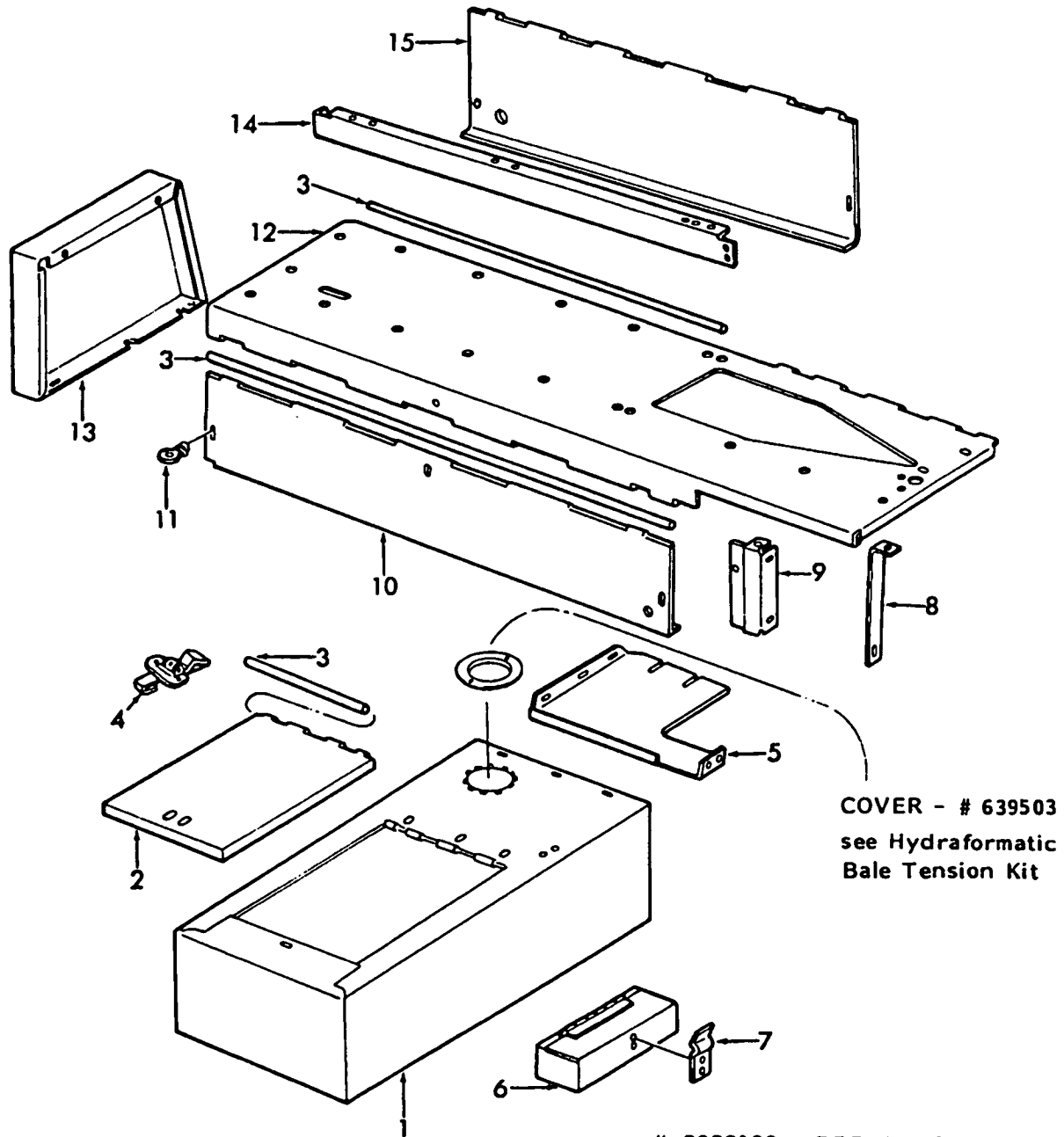
MODEL 568 SQUARE BALER

FIG. 5 - HOUSING, FEEDER AND RIGHT SIDE

REF	FN	PART NUMBER	FINIS	YR/SN	QTY	DESCRIPTION
1		9604406	9604406		1	Hood Weld Assembly
		120103	8120103		6	Screw - Cap - Hex Hd. - M8 x 16 mm
		120099	8120099		5	Screw - Cap - Hex Hd. - M6 x 16 mm
		87362	8087362		6	Washer - 5/16" SAE
		87361	8087361		5	Washer - 1/4" SAE
		322358	8322358		6	Washer - Lock - M8
		322357	8322357		5	Washer - Lock - M6
		100015	8100015		6	Nut - Hex - M8
		100014	8100014		5	Nut - Hex - M6
2		9604412	9604412		1	Door
3		637576	8637576		3	Pin - Hinge - 3/16" x 81" 4.76 mm x 2057.4 mm - Cut to Desired Length
4		244457	8244457		1	Clamp
		120098	8120098		4	Screw - Cap - Hex Hd. - M5 x 20 mm
		80707	8080707		4	Washer - 3/16" SAE
		322357	8322357		4	Washer - Lock - M6
		100013	8100013		4	Nut - Hex - M5
5		9604411	9604411		1	Baffle
		120099	8120099		8	Screw - Cap - Hex Hd. - M6 x 16 mm
		87361	8087361		8	Washer - 1/4" SAE
		322357	8322357		8	Washer - Lock - M1
		100014	8100014		8	Nut - Hex - M6
6		638928	8638928		1	Tool Box Weld Assembly
		120099	8120099		2	Screw - Cap - Hex Hd. - M6 x 16 mm
		87361	8087361		2	Washer - 1/4" SAE
		322357	8322357		2	Washer - Lock - M6
		100014	8100014		2	Nut - Hex - M6
7		9801069	9801069		1	Latch
		84821	8084821		2	Screw - Machine - Truss Hd. - #10 x 1/2"
		80707	8080707		2	Washer - 3/16"
		80684	8080684		2	Washer - Lock - #10
		87304	8087304		2	Nut - Hex - #10
8		9604510	9604510		1	Support
		120103	8120103		2	Screw - Cap - Hex Hd. - M8 x 16 mm
		87362	8087362		2	Washer - 5/16" SAE
		322358	8322358		2	Washer - Lock - M8
		100015	8100015		2	Nut - Hex - M8
9		9604401	9604401		1	Filler
		120099	8120099		4	Screw - Cap - Hex Hd. - M6 x 16 mm
		87361	8087361		4	Washer - 1/4" SAE
		322357	8322357		4	Washer - Lock - M6
		100014	8100014		4	Nut - Hex - M6
10		9604433	9604433		1	Door - Front
11		264552	8264552		6	Fastener Assembly
12		9604439	9604439		1	Cover - Top
		120103	8120103		19	Screw - Cap - Hex Hd. - M8 x 16 mm
		120245	8120245		6	Bolt - Carriage - M10 x 30 mm
		87362	8087362		19	Washer - 5/16" SAE
		322358	8322358		19	Washer - Lock - M8
		140045	8140045		6	Washer - Lock - M10
		100015	8100015		19	Nut - Hex - M8
		100016	8100016		6	Nut - Hex - M10

MODEL 568 SQUARE BALER

FIG. 5 - HOUSING, FEEDER AND RIGHT SIDE



COVER - # 639503
see Hydraformatic
Bale Tension Kit

9820122 - DECAL SIGN SET
9619679 - FORD MEDALLION

MODEL 568 SQUARE BALER

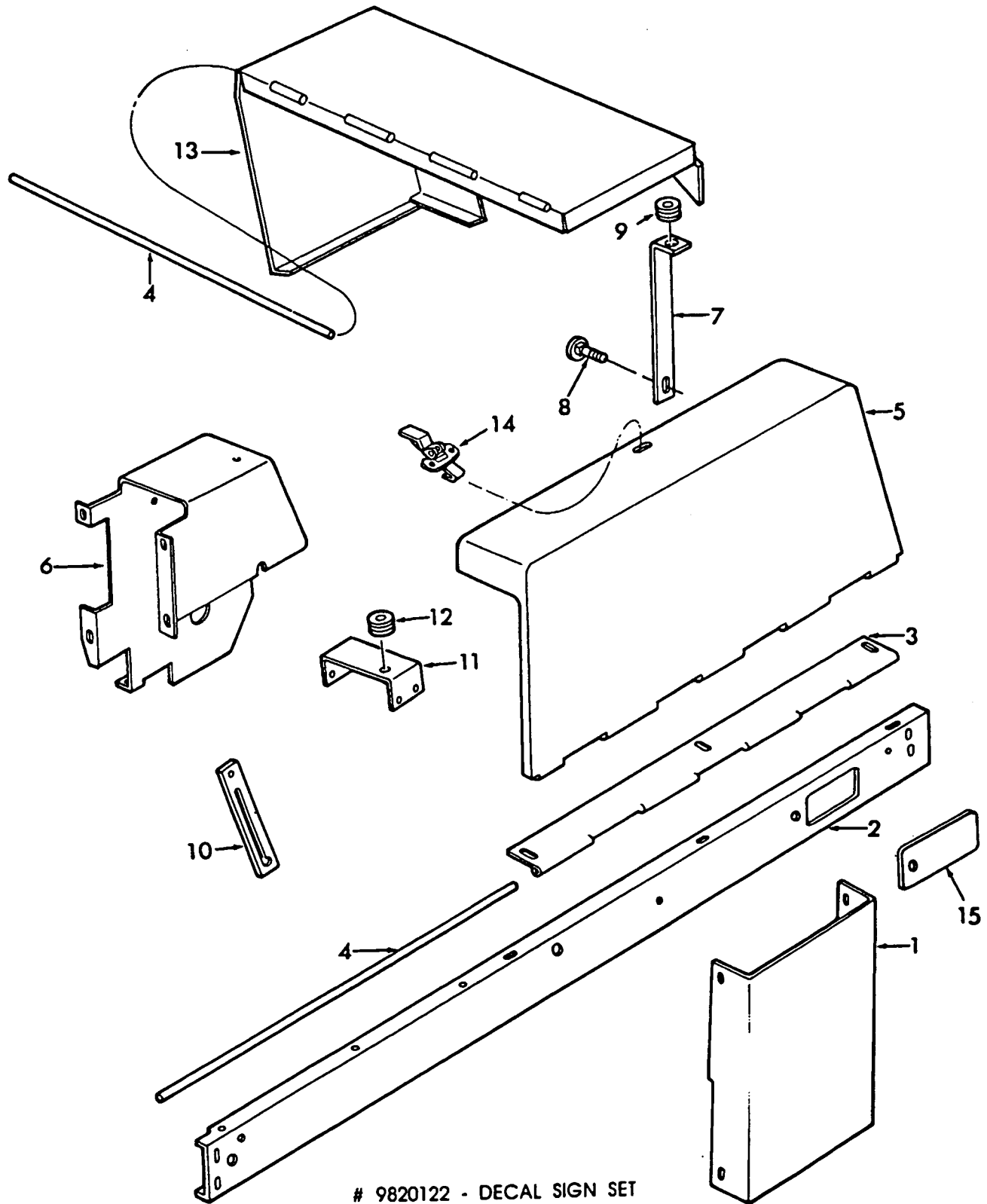
FIG. 5 - HOUSING, FEEDER AND RIGHT SIDE

REF	FN	PART NUMBER	FINIS	YR/SN	QTY	DESCRIPTION
13		9604506	9604506		1	End Cap Weld Assembly
		120103	8120103		3	Screw - Cap - Hex Hd. - M8 x 16 mm
		87362	8087362		3	Washer - 5/16" SAE
		322358	8322358		3	Washer - Lock - M8
		100015	8100015		2	Nut - Hex - M8
14		9604436	9604436		1	Support
		120103	8120103		7	Screw - Cap - Hex Hd. - M8 x 16 mm
		87362	8087362		7	Washer - 5/16" SAE
		322358	8322358		7	Washer - Lock - M8
		100015	8100015		7	Nut - Hex - M8
15		9604435	9604435		1	Door - Rear
16		9604434	9604434		1	Filler
		120103	8120103		4	Screw - Cap - Hex Hd. - M8 x 16 mm
		87362	8087362		4	Washer - 5/16" SAE
		322358	8322358		4	Washer - Lock - M8
		100015	8100015		4	Nut - Hex - M8
		9820122	9820122		AR	Set - Decal Sign
		9619679	9619679		AR	Medallion - Ford

AR - As Required

MODEL 568 SQUARE BALER

FIG. 6 - HOUSING, LEFT SIDE



9820122 - DECAL SIGN SET
9619679 - FORD MEDALLION

MODEL 568 SQUARE BALER

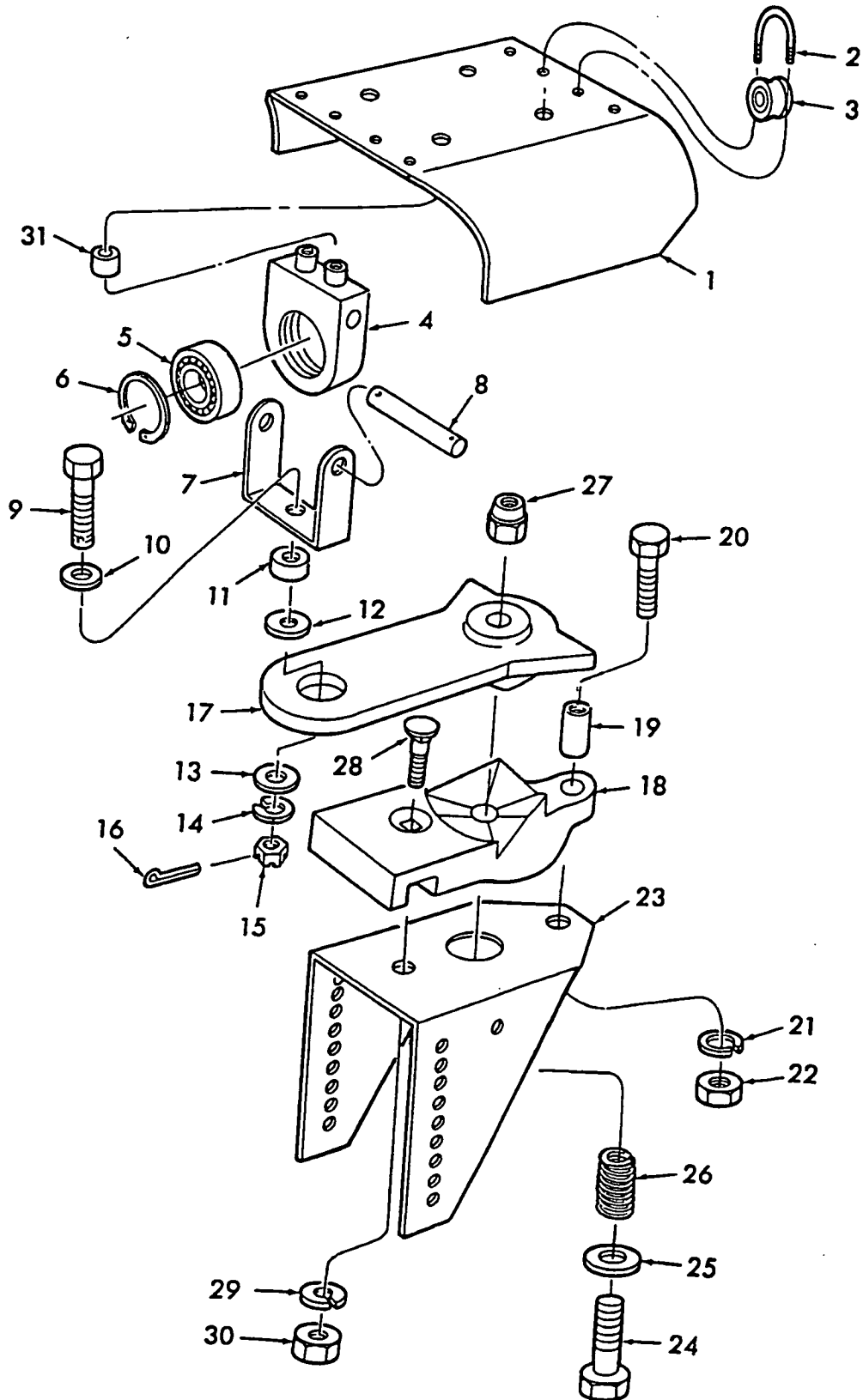
FIG. 6 - HOUSING, LEFT SIDE

REF	FN	PART NUMBER	FINIS	YR/SN	QTY	DESCRIPTION
1		9808498	9808498		1	Shield - Pickup Drive
		120103	8120103		4	Screw - Cap - Hex Hd. - M8 x 16 mm
		87362	8087362		4	Washer - 5/16" SAE
		322358	8322358		4	Washer - Lock - M8
		100015	8100015		4	Nut - Hex - M8
2		9823889	9823889		1	Channel Weld Assembly
		120103	8120103		2	Screw - Cap - Hex Hd. - M8 x 16 mm
		87362	8087362		2	Washer - 5/16" SAE
		322358	8322358		2	Washer - Lock - M8
		100015	8100015		2	Nut - Hex - M8
3		9604425	9604425		1	Hinge
		120103	8120103		3	Screw - Cap - Hex Hd. - M8 x 16 mm
		87362	8087362		3	Washer - 5/16" SAE
		322358	8322358		3	Washer - Lock - M8
		100015	8100015		3	Nut - Hex M8
4		637576	8637576		2	Pin - Hinge - 3/16" x 81" - 4.76 mm x 2057.4 mm - Cut to Desired Length
5		9604413	9604413		1	Shield - Side - L.H.
6		9604416	9604416		1	Shield - Knotter
		120037	8120037		5	Bolt - Carriage - M8 x 20 mm
		87362	8087362		5	Washer - 5/16" SAE
		322358	8322358		5	Washer - Lock - M8
		100015	8100015		5	Nut - Hex - M8
7		693895	8693895		1	Support
8		120245	8120245		1	Bolt - Carriage - CL8.8 - M10 x 30 mm
		140045	8140045		1	Washer - Lock - M10
		100016	8100016		1	Nut - Hex - M10
9		174265	8174265		1	Grommet
10		229241	8229241		1	Latch
		120103	8120103		1	Screw - Cap - Hex Hd. - M8 x 16 mm
		120161	8120161		1	Screw - Cap - Hex Hd. - M8 x 25 mm
		100067	8100067		2	Nut - Lock - M8
		100015	8100015		1	Nut - M8
11		9615021	9615021		1	Bracket
		120099	8120099		4	Screw - Cap - Hex Hd. - M6 x 16 mm
		322357	8322357		4	Washer - Lock - M6
		100014	8100014		4	Nut - Hex - M6
12		46288	8046288		1	Grommet
13		9604421	9604421		1	Knotter Cover Weld Assembly
14		244457	8244457		1	Clamp
15		603796	8603796		1	Cover
		120103	8120103		1	Screw - Cap - Hex Hd. - M8 x 16 mm
		322358	8322358		1	Washer - Lock - M8
		9820122	9820122		AR	Set - Decal Sign
		9619679	9619679		AR	Medallion - Ford

AR - As Required

MODEL 568 SQUARE BALER

FIG. 7 - PTO POWER PIVOT



MODEL 568 SQUARE BALER

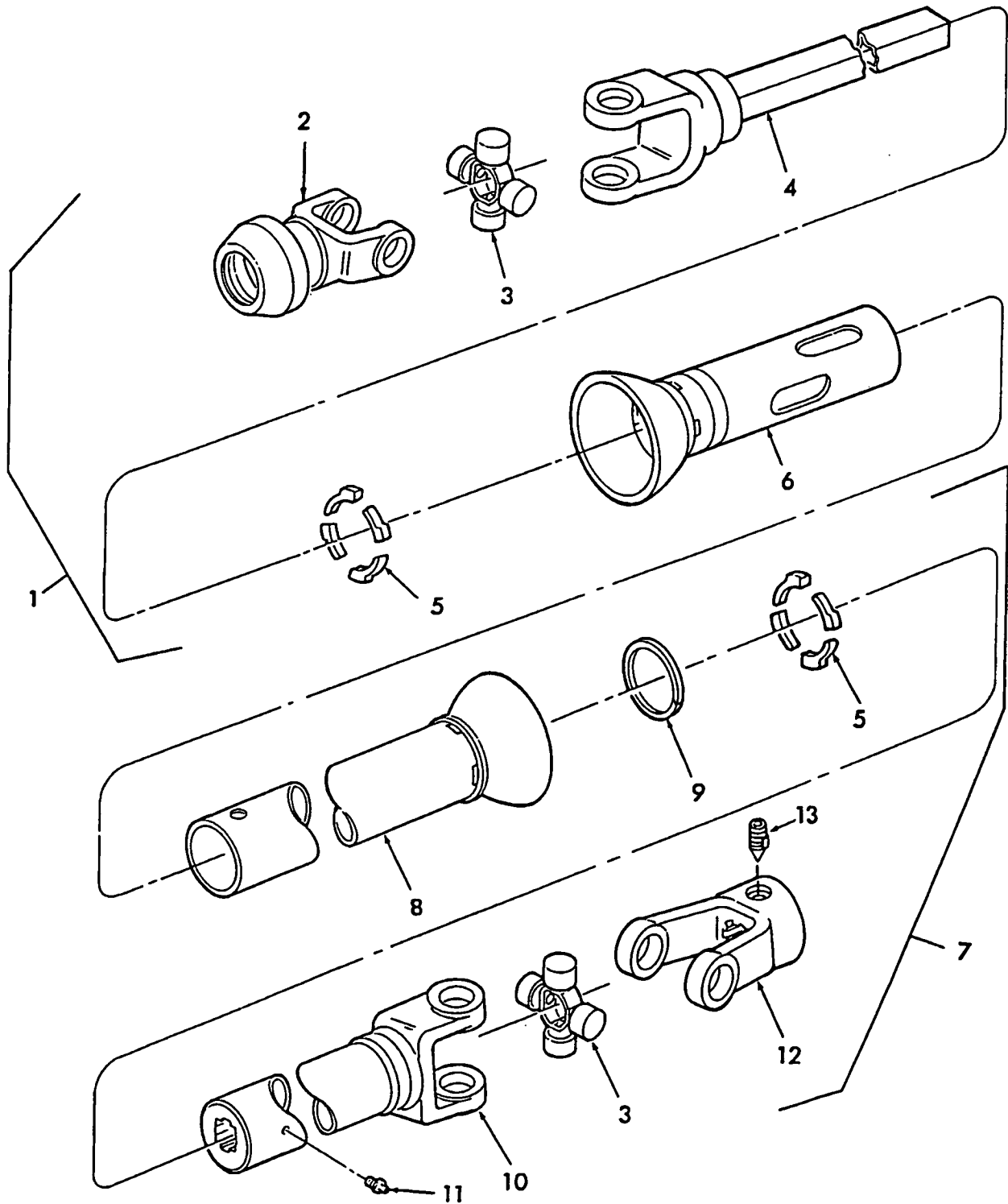
FIG. 7 - PTO POWER PIVOT

REF	FN	PART NUMBER	FINIS	YR/SN	QTY	DESCRIPTION
1		242039	8242039		1	Shield - Tipping Bearing
		120068	8120068		2	Screw - Cap - Hex Hd. - M10 x 40 mm
		140045	8140045		2	Washer - Lock - M10
2		9604540	9604540		1	U-Bolt - Twine Guide
		322357	8322357		2	Washer - Lock - M6
		100013	8100013		2	Nut - Hex - M5
3		28110	8028110		1	Guide - Twine
4		9604550	9604550		1	Bearing Assembly Includes: 5 & 6
5		47192	8047192		1	Bearing
6		29852	8029852		1	Ring - Retaining
7		285182	8285182		1	Yoke
8		29851	8029851		1	Pin
		80299	8080299		AR	Washer - 5/8"
		87397	8087397		AR	Pin - Cotter - 3/16" x 1"
9		573958	8573958		1	Bolt - Drilled
10		516161	8516161		1	Washer - 25/32" ID x 2-3/8" OD x 1/4" Thick - 19.8 mm x 60.3 mm x 6.4 mm
11		285183	8285183		1	Spacer - Bushing
12		187426	8187426		4 AR	Washer
13		56867	8056867		1	Washer - 49/64" ID x 1-7/8" OD x .135" Thick - 19.4 mm x 47.6 mm x 3.4 mm
14		87340	8087340		1	Washer - Lock
15		88886	8088886		1	Nut - Hex Slotted - 3/4" UNF
16		164086	8164086		1	Pin - Cotter - 3/16" x 1-1/2" - Heat Treated
17		9604549	9604549		1	Arm - Pivot
18		9604547	9604547		1	Support - Ratchet
19		579577	8579577		1	Spacer
20		374887	8374887		1	Screw - Cap - Hex Hd. - M12 x 100 mm
21		140046	8140046		1	Washer - Lock - M12
22		337475	8337475		1	Nut - Hex - M12
23		682146	8682146		1	Support
		120120	8120120		4	Screw - Cap - Hex Hd. - M12 x 30 mm
		140046	8140046		4	Washer - Lock - M12
24		412290	8412290		1	Screw - Cap - Hex Hd. - G8.8 - M20 x 180 mm
25		84239	8084239		1	Washer - 3/4"
26		115150	8115150		1	Spring
27		380424	8380424		1	Nut - Lock - M20
28		9507737	9507737		1	Bolt - Plow - G8.8 - M10 x 50 mm
29		140045	8140045		1	Washer - Lock - M10
30		100016	8100016		1	Nut - Hex - M10
31		167444	8167444		2	Spacer

AR - As Required

MODEL 568 SQUARE BALER

FIG. 8 - FRONT PTO ASSEMBLY



MODEL 568 SQUARE BALER

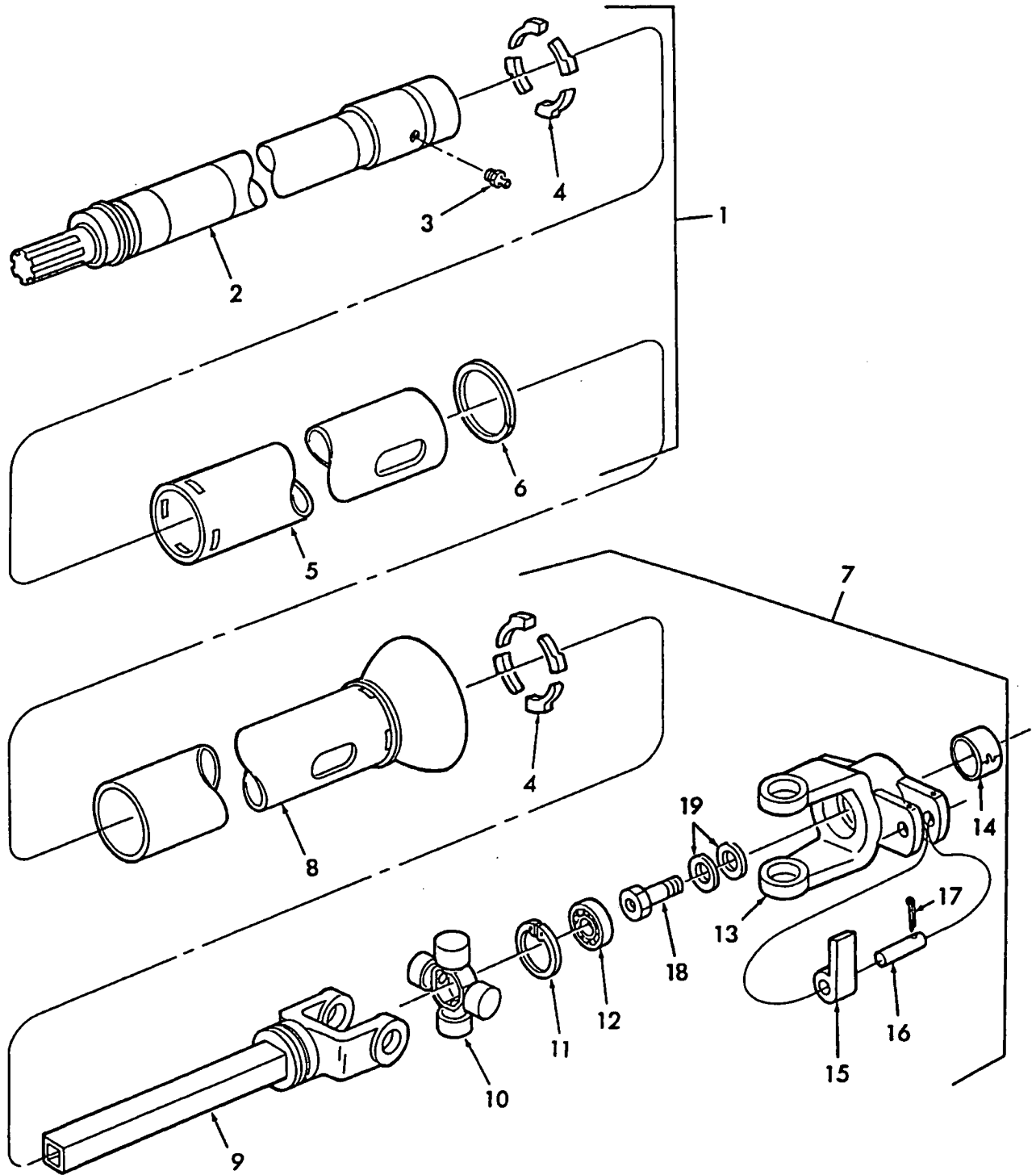
FIG. 8 - FRONT PTO ASSEMBLY

REF	FN	PART NUMBER	FINIS	YR/SN	QTY	DESCRIPTION
1		856703	8856703		1	Shielded Shaft Assembly - Heavy Duty Includes: 2-11
2		850618	8850618		1	Yoke Assembly Includes: 3-7
3		126761	8126761		2	Bearing & Spider Includes: (4) Retaining Rings (1) Lube Fitting - 1/4" - 28-UNF Thread
4		710441	8710441		1	Yoke & Shaft
5		185746	8185746		8	Bearing
6		571995	8571995		1	Shield - Outer
		849471	8849471		1	Sign - Danger
7		710437	8710437		1	Shielded Tube Assembly - Heavy Duty Includes: 8, 10 & 13-18
8		571996	8571996		1	Shield - Inner
9		136418	8136418		1	Bearing - Nylon
10		710438	8710438		1	Yoke & Tube Assembly Includes: 11
		849472	8849472		1	Sign - Danger
11		87414	8087414		AR	Fitting - Lube - 1/4" - 28 Self-Tapping
12		131902	8131902		1	Yoke
13		763883	8763883		1	Screw - Set - Special
		87309	8087309		1	Nut - Jam - 1/2" - UNF

AR - As Required

MODEL 568 SQUARE BALER

FIG. 9 - REAR PTO ASSEMBLY



MODEL 568 SQUARE BALER

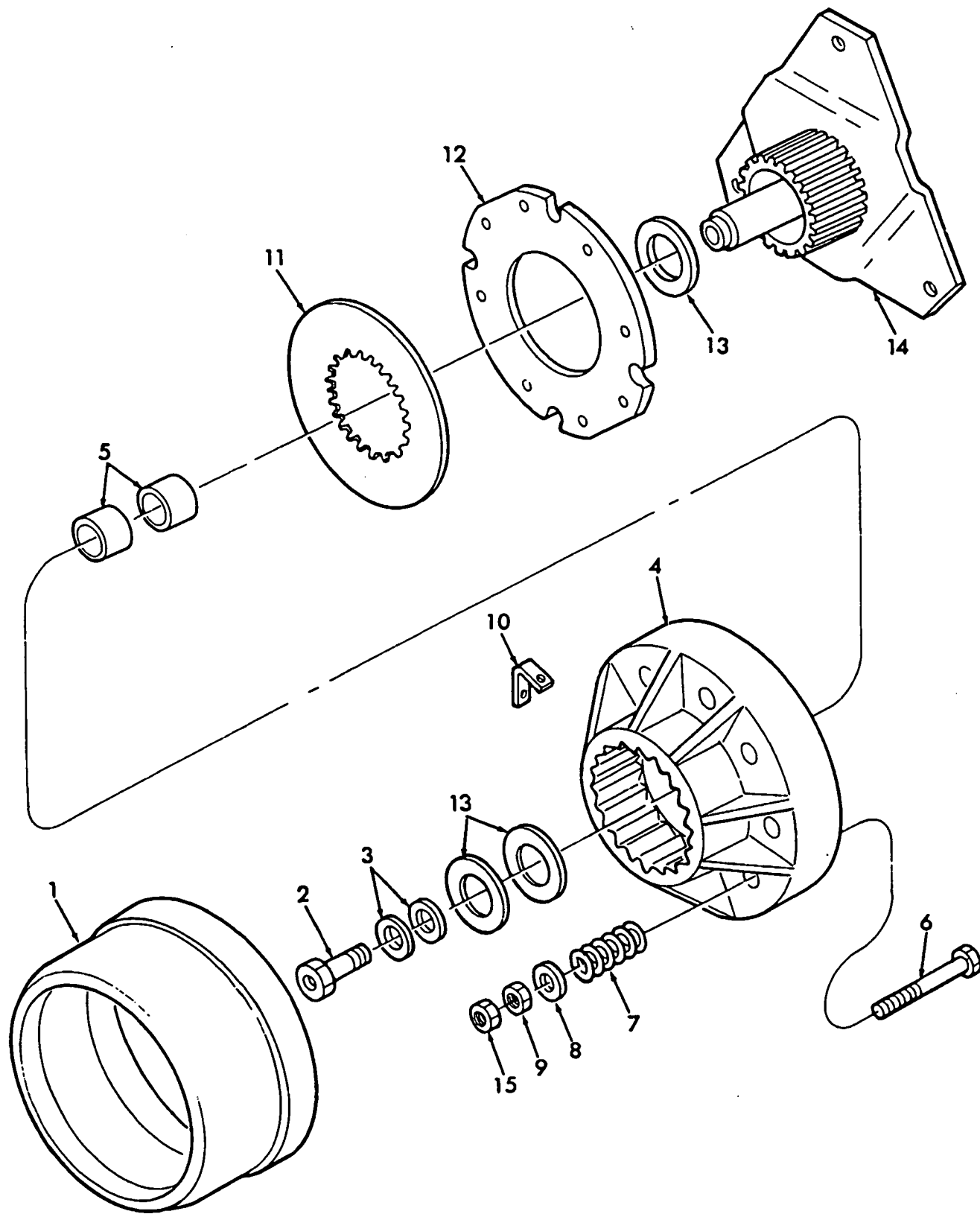
FIG. 9 - REAR PTO ASSEMBLY

REF	FN	PART NUMBER	FINIS	YR/SN	QTY	DESCRIPTION
1		798199	8798199		1	Shielded Tube Assembly Includes: 2-6
2		798197	8798197		1	Tube Assembly Includes: 3
3		87414	8087414		AR	Fitting - Lube - 1/4" - 28 - Self-Tapping
4		185746	8185746		8	Bearing
5		712979	8712979		1	Shield
6		136418	8136418		1	Bearing - Nylon
7		710444	8710444		1	Shielded Shaft Assembly Includes: 4 & 8-14
8		712978	8712978		1	Shield
9		710445	8710445		1	Yoke & Shaft
10		126761	8126761		1	Bearing & Spider
11		183442	8183442		1	Ring - Retaining
12		44680	8044680		1	Bearing
13		263017	8263017		1	Yoke & Bushing Assembly Includes: 11, 12 & 14
		87569	8087569		1	Fitting - Lube - 1/4" - 28-45° Self-Tapping
14		184317	8184317		1	Bushing
15		218527	8218527		2	Dog - Clutch
16		46789	8046789		2	Pin
17		87673	8087673		2	Pin - Cotter - 1/8" x 1-3/4"
18		221481	8221481		1	Screw - Drilled Cap
		87569	8087569		1	Fitting - Lube - 1/4" - 28-45°
19		65319	8065319		2	Washer

AR - As Required

MODEL 568 SQUARE BALER

FIG. 10 - PTO CLUTCH ASSEMBLY



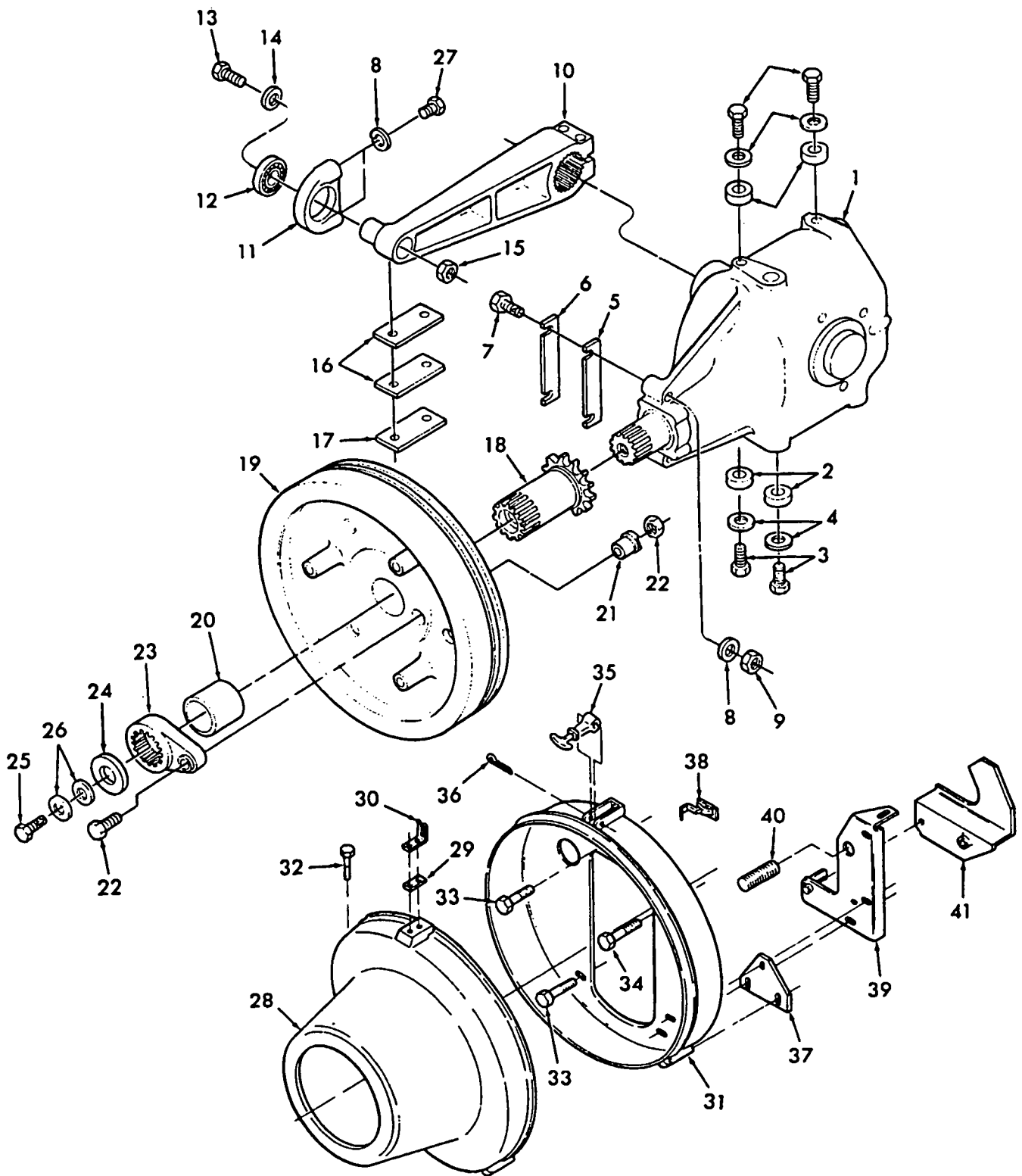
MODEL 568 SQUARE BALER

FIG. 10 - PTO CLUTCH ASSEMBLY

REF	FN	PART NUMBER	FINIS	YR/SN	QTY	DESCRIPTION
1		708890	8708890		1	Shield Weld Assembly
		135632	8135632		3	Screw - Machine - Truss Hd. - USR - 5/16" x 1/2"
2		221481	8221481		1	Screw - Drilled Cap
		87569	8087569		1	Fitting - Lube - 1/4" - 28-45°
3		65319	8065319		2	Washer
4		287913	8287913		1	Clutch Housing Assembly Includes: 5
5		184317	8184317		2	Bushing
6		120077	8120077		8	Screw - Cap - Hex Hd. - M10 x 120 mm
7		9617868	9617868		8	Spring
8		9801065	9801065		8	Washer
9		100016	8100016		16	Nut - Hex - M10
10		645650	8645650		3	Bracket
		120100	8120100		3	Screw - Cap - Hex Hd. - M6 x 20 mm
		322357	8322357		3	Washer - Lock - M6
		100014	8100014		3	Nut - Hex - M6
11		261798	8261798		2	Friction Disc Assembly
12		258425	8258425		2	Plate
13		189423	8189423		3	Shim - 35.4 mm ID x 57.2 mm OD x 0.8 mm Thick
14		849379	8849379		1	Clutch Pilot Weld Assembly
		9503185	9503185		3	Screw - Cap - Hex Hd. - G10.9 - M12 x 55 mm
		262183	8262183		3	Washer - Heat Treated
15		354720	8354720		8	Nut - Jam - M10

MODEL 568 SQUARE BALER

FIG. 11 - GEARBOX AND FLYWHEEL



MODEL 568 SQUARE BALER

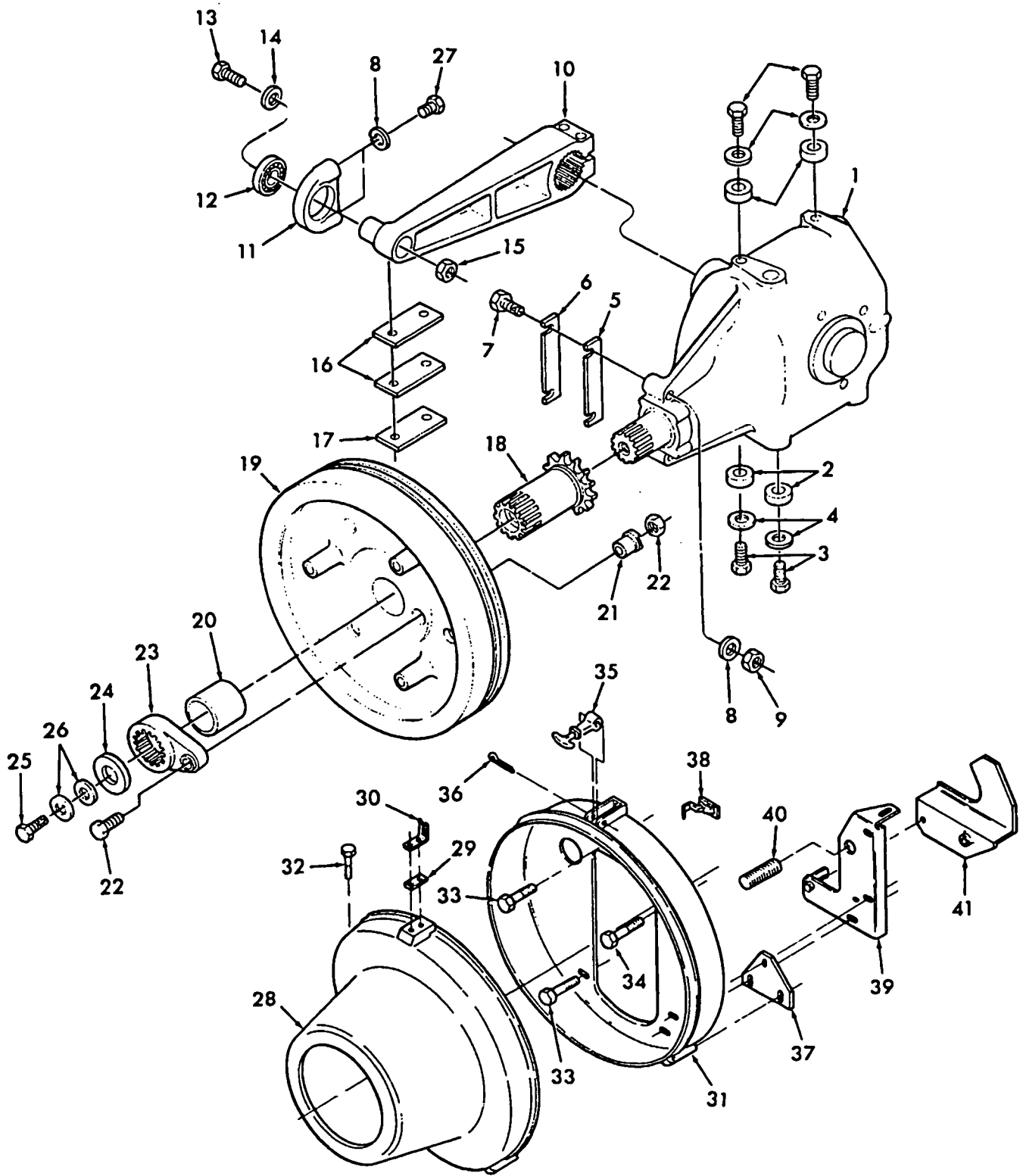
FIG. 11 - GEARBOX AND FLYWHEEL

REF	FN	PART NUMBER	FINIS	YR/SN	QTY	DESCRIPTION
1		848957	8848957		1	Gearbox Assembly - Refer to Separate Breakdown
2		128868	8128868		4	Spacer - 21/32" ID x 1-1/2" OD x 3/4" Thick
3		120090	8120090		4	Screw - Cap - Hex Hd. - M16 x 50 mm
4		570950	8570950		4	Washer - 41/64" ID x 1-1/2" OD x .107" Thick
5		615731	8615731		1 AR	Shim - .048" Thick
6		615732	8615732		1 AR	Shim - .015" Thick
7		120183	8120183		2	Screw - Cap - Hex Hd. - M12 x 90 mm
8		140046	8140046		4	Washer - Lock - M12
9		337475	8337475		2	Nut - M12
10		608148	8608148		1	Crank
		321246	8321246		2	Screw - Cap - Hex Hd. - M16 x 120 mm
		140048	8140048		2	Washer - Lock - M16
		100020	8100020		2	Nut - M16
11		9604522	9604522		1	Bearing Housing Assembly - Select Fit Includes: 12
12		46537	8046537		1	Bearing
13		120082	8120082		1	Screw - Cap - Hex Hd. - G5 - M12 x 60 mm
14		43458	8043458		1	Washer - 17/32" ID x 2-1/2" OD x 1/4" Thick
15		100038	8100038		1	Nut - Lock - GB - M12
16		286948	8286948		2	Cushion - Tire Carcass
17		286947	8286947		1	Face - Cushion
		120071	8120071		2	Screw - Cap - Hex Hd. - M10 x 65 mm
		100037	8100037		2	Nut - Lock - M10
18		635210	8635210		1	Sprocket & Hub Weld Assembly - 13T
19		848661	8848661		1	Flywheel Assembly Includes: 20 & 21
20		87414	8087414		1	Fitting - Lube - 1/4" - 28 - Self-Tapping
21		636420	8636420		1	Bushing
22		9604553	9604553		1	Sleeve - Shear Bolt
23		9806603	9806603		1	Bolt - Shear w/Nut
24		848659	8848659		1	Hub - Shear Bolt
		636422	8636422		1	Washer - 21/32" ID x 2-3/4" OD x 3/8" Thick
25		848780	8848780		1	Bolt - Special - M16 x 40 mm
26		130358	8130358		2	Washer
27		120120	8120120		2	Screw - Cap - Hex Hd. - M12 x 30 mm
28		9615817	9615817		1	Protection - Flywheel
29		748374	8748374		3	Reinforcement
30		748191	8748191		3	Attachment
		425520	8425520		6	Rivet - Blind - M4 x 10 mm
31		9615816	9615816		1	Shield - Rear Flywheel
		120103	8120103		3	Screw - Cap - Hex Hd. - CL8.8 - M8 x 16 mm
		322358	8322358		3	Washer - Lock - M8
		100015	8100015		3	Nut - M8

AR - As Required

MODEL 568 SQUARE BALER

FIG. 11 - GEARBOX AND FLYWHEEL



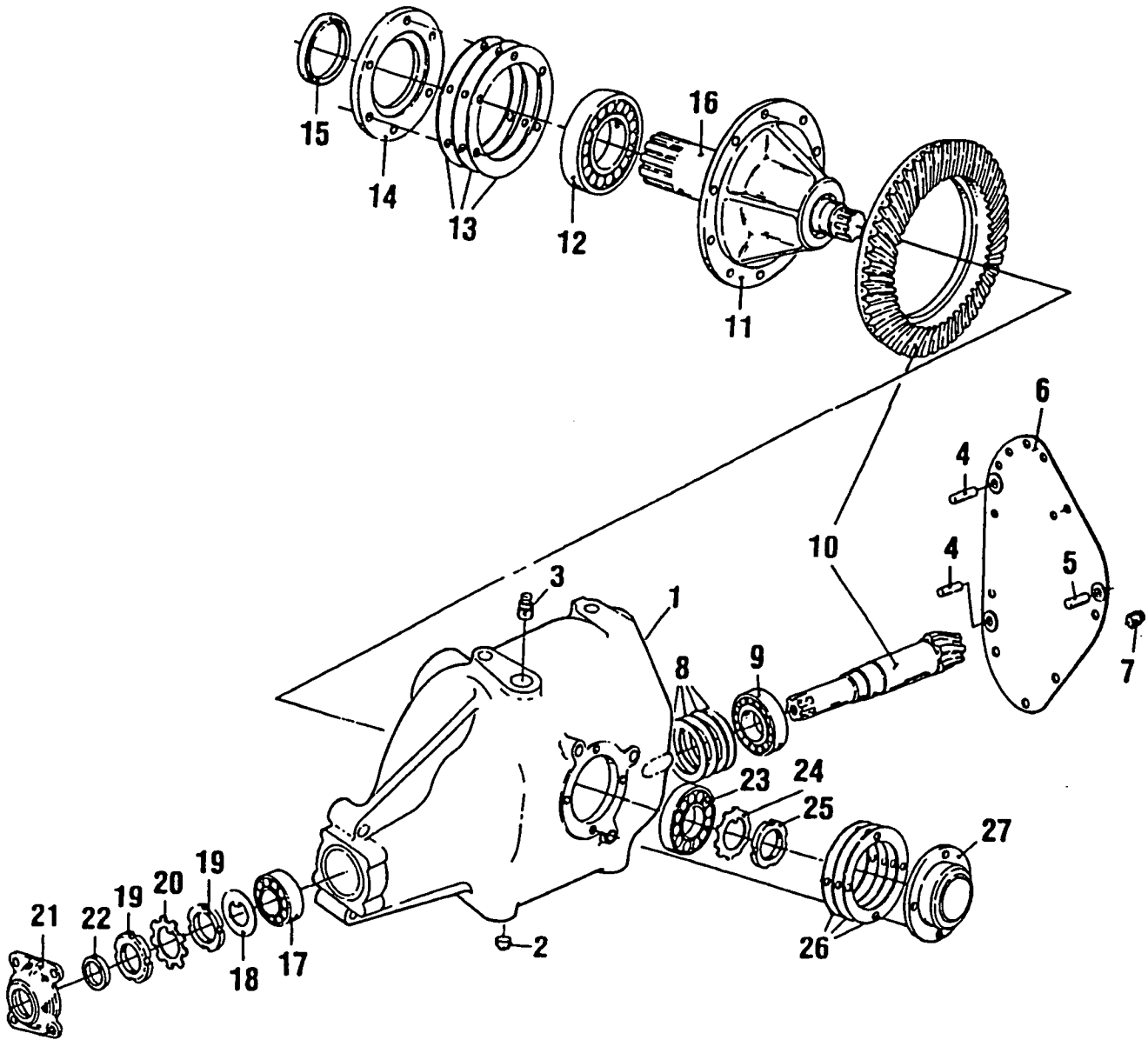
MODEL 568 SQUARE BALER

FIG. 11 - GEARBOX AND FLYWHEEL

REF	FN	PART NUMBER	FINIS	YR/SN	QTY	DESCRIPTION
32		120111	8120111		1	Screw - Cap - Hex Hd. - M10 x 30 mm
		140045	8140045		1	Washer - Lock - M10
		100016	8100016		1	Nut - M10
33		120037	8120037		2	Bolt - Carriage - M8 x 20 mm
		322358	8322358		2	Washer - Lock - M8
		100015	8100015		2	Nut - M8
34		120103	8120103		1	Screw - Cap - Hex Hd. - CL8.8 - M8 x 16 mm
		322358	8322358		1	Washer - Lock - M8
		100015	8100015		1	Nut - M8
35		211495	8211495		3	Latch
36		80754	8080754		3	Pin - Cotter - 3/16" x 1-1/2"
37		9604474	9604474		1	Support
		321803	8321803		1	Screw - Machine - Fillister Hd. - M4 x 10 mm
		120037	8120037		1	Bolt - Carriage - M8 x 20 mm
		322357	8322357		1	Washer - Lock - M6
		322358	8322358		1	Washer - Lock - M8
		100012	8100012		1	Nut - M4
		100015	8100015		1	Nut - M8
		47325	8047325		1	Fastener - Snap
		321803	8321803		1	Screw - Machine - Fillister Hd. - M4 x 10 mm
		322355	8322355		1	Washer - Lock - M4
	100012	8100012		1	Nut - M4	
39		849326	8849326		1	Support Detail Weld Assembly
		120103	8120103		1	Screw - Cap - Hex Hd. - CL8.8 - M8 x 16 mm
		322358	8322358		1	Washer - Lock - M8
		100015	8100015		1	Nut - M8
40		37193	8037193		1	Spring
		87362	8087362		1	Washer - 5/16" SAE
		100067	8100067		1	Nut - Lock - M8
41		849327	8849327		1	Shield

MODEL 568 SQUARE BALER

FIG. 12 - MAIN DRIVE GEARBOX



MODEL 568 SQUARE BALER

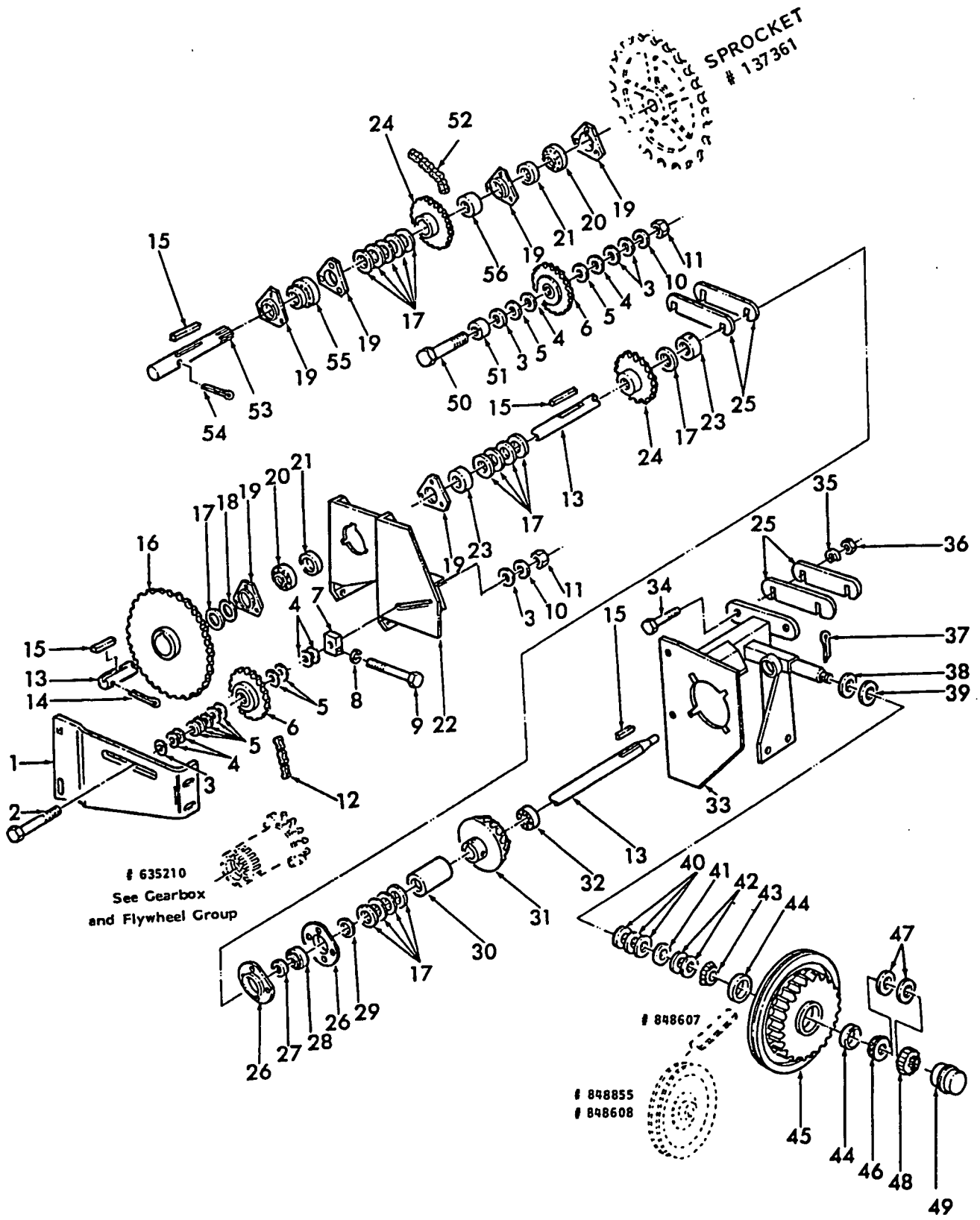
FIG. 12 - MAIN DRIVE GEARBOX

REF	FN	PART NUMBER	FINIS	YR/SN	QTY	DESCRIPTION
1		9620384	9620384		1	Housing - Gearbox
2		84296	8084296		1	Plug - 1/2"
3		9821757	9821757		1	Pipe Plug Assembly
4		378398	8378398		2	Pin - Dowel - 10 mm x 40 mm
5		378399	8378399		1	Pin - Dowel - 12 mm x 40 mm
6		449785	8449785		1	Cover
		120104	8120104		12	Screw - Cap - Hex Hd. - M8 x 20 mm
		322358	8322358		12	Washer - Lock - M8
7		80709	8080709		1	Plug - 1/8"
8		NSS			AR	Shim - .010" - .25 mm - Use (2) 222554
		222554	8222554		AR	Shim - .005" - .13 mm
		222555	8222555		AR	Shim - .003" - .08 mm
		NSS			AR	Shim - .020" - .51 mm - Use (4) 222554
9		176451	8176451		1	Tapered Roller Bearing Assembly
10		9615175	9615175		1	Set - Hypoid Gear
		120120	8120120		10	Screw - Cap - Hex Hd. - M12 x 30 mm
		80679	8080679		10	Washer - Lock - 1/2"
11		188805	8188805		1	Hub - Ring Gear
12		32084	8032084		1	Tapered Roller Bearing Assembly
13		29814	8029814		AR	Shim - .003" - .076 mm
		29815	8029815		AR	Shim - .005" - .127 mm
		29813	8029813		AR	Shim - .007" - .178 mm
14		37783	8037783		1	Bearing - Retaining
		120111	8120111		6	Screw - Cap - Hex Hd. - M10 x 30 mm
		140045	8140045		6	Washer - Lock - M10
15		37705	8037705		1	Seal - Oil
16		848925	8848925		1	Crankshaft
17		37734	8037734		1	Bearing - Tapered Roller
18		54167	8054167		1	Washer - Keyed
19		9615771	9615771		2	Nut - Lock - Bearing
20		58153	8058153		1	Washer - Lock - Bearing
21		37785	8037785		1	Cap - End
		87414	8087414		1	Fitting - Lube - 1/4" - 28 - Straight Self-Tapping
		120104	8120104		4	Screw - Cap - Hex Hd. - M8 x 20 mm
		322358	8322358		4	Washer - Lock - M8
22		37707	8037707		1	Seal - Oil
23		37436	8037436		1	Tapered Roller Bearing Assembly
24		37426	8037426		1	Washer - Lock - Bearing
25		9615770	9615770		1	Nut - Lock - Bearing
26		38030	8038030		AR	Shim - .003" - .076 mm
		38031	8038031		AR	Shim - .005" - .127 mm
		38032	8038032		AR	Shim - .008" - .203 mm
27		799031	8799031		1	Bearing - Retaining
		120068	8120068		4	Screw - Cap - Hex Hd. - M10 x 40 mm
		140045	8140045		4	Washer - Lock - M10

AR - As Required
 NSS - Not Serviced Separately

MODEL 568 SQUARE BALER

FIG. 13 - DRIVES SHAFT ASSEMBLY



MODEL 568 SQUARE BALER

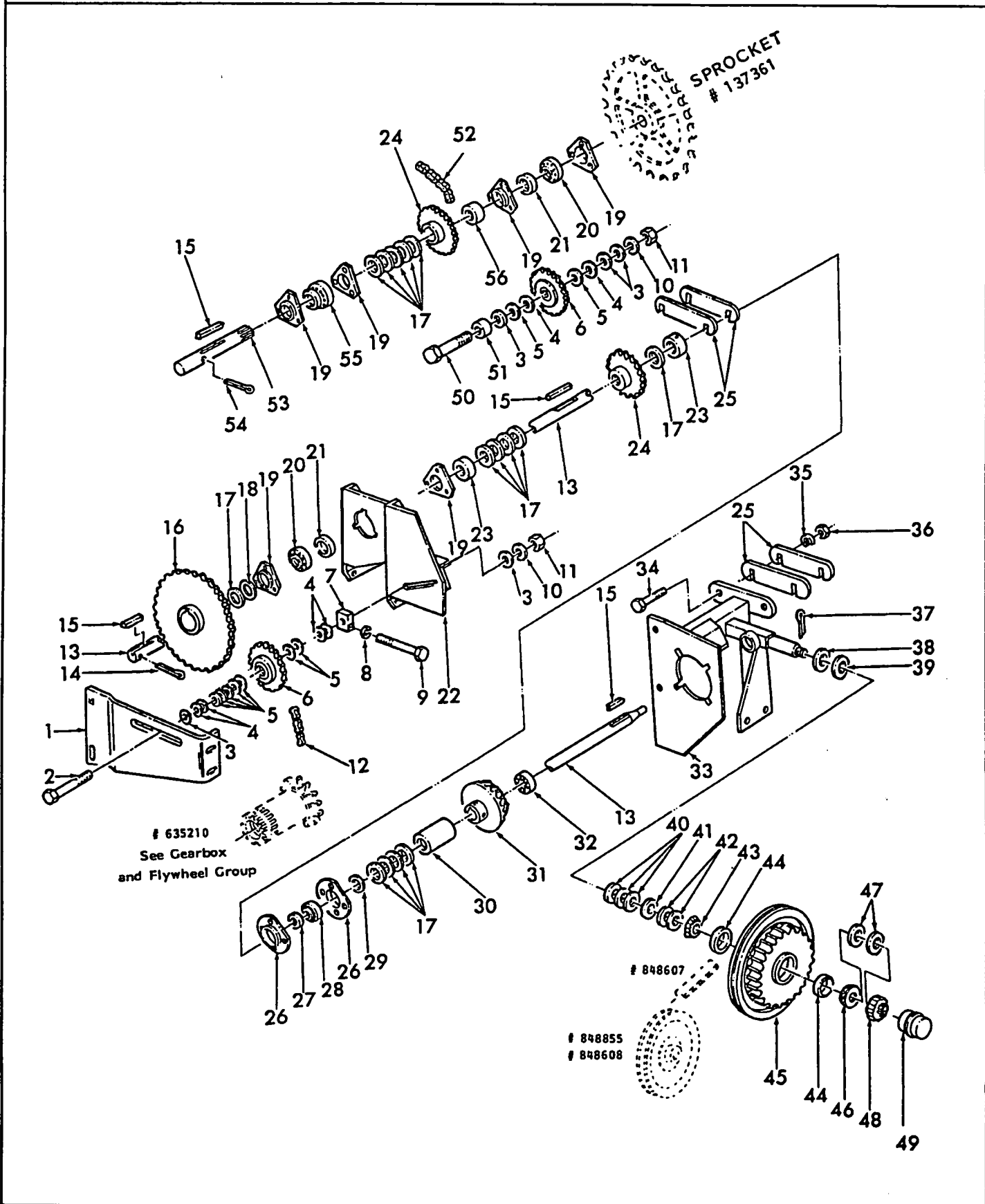
FIG. 13 - DRIVES SHAFT ASSEMBLY

REF	FN	PART NUMBER	FINIS	YR/SN	QTY	DESCRIPTION
1		849332	8849332		1	Support
		120041	8120041		2	Bolt - Carriage - M10 x 20 mm
		140045	8140045		2	Washer - Lock - M10
		100016	8100016		2	Nut - Hex - M10
2		322362	8322362		1	Bolt - Carriage M16 x 100 mm
3		604937	8604937		5	Washer
4		47407	8047407		6 AR	Washer
5		87365	8087365		9 AR	Washer - 5/8" SAE
6		511265	8511265		2	Idler - Sprocket - 15T
7		9615986	9615986		1	Block
8		140045	8140045		1	Washer - Lock - M10
9		120212	8120212		1	Bolt - Hex Tap - M10 x 160 mm
10		140048	8140048		2	Washer - Lock - M16
11		100020	8100020		2	Nut - Hex - M16
12		136553	8136553		1	Chain - Roller - RC 60 - 70 Total Pitches
		25808	8025808		AR	Link - Roller - RC 60
		25812	8025812		AR	Link - Connecting - RC 60
13		9801471	9801471		1	Shaft
14		87400	8087400		1	Pin - Cotter - 3/16" x 2"
15		87122	8087122		4	Key - Woodruff - 5/16" x 2-1/8"
16		9801470	9801470		1	Sprocket Weld Assembly - 41T
		88971	8088971		2	Screw - Set - Square Hd. - C.P. - 5/16" x 1"
		84968	8084968		2	Nut - Hex Jam - 5/16"
17		58630	8058630		15 AR	Washer
18		267571	8267571		1 AR	Washer
19		578189	8578189		6	Flangette
		120245	8120245		9	Bolt - Carriage - M10 x 30 mm
		140045	8140045		9	Washer - Lock - M10
		100016	8100016		9	Nut - Hex - M10
20		163641	8163641		2	Bearing
21		47067	8047067		2	Collar
22		848639	8848639		1	Bracket Weld Assembly
		120041	8120041		4	Bolt - Carriage - M10 x 20 mm
		140045	8140045		4	Washer - Lock - M10
		100016	8100016		4	Nut - Hex - M10
23		602703	8602703		2	Spacer
		84382	8084382		2	Screw - Set - Hex Socket - D.P. - 5/16" x 5/8"
24		9801474	9801474		2	Sprocket Weld Assembly - 18T
		88971	8088971		4	Screw - Set - Square Hd. - C.P. - 5/16" x 1"
		84968	8084968		4	Nut - Jam - 5/16"
25		848616	8848616		4 AR	Shim
		120079	8120079		2	Screw - Cap - Hex Hd. - M12 x 40 mm
		87364	8087364		4	Washer - 1/2" SAE
		337475	8337475		2	Nut - Hex - M12
26		52481	8052481		2	Flangette
		120044	8120044		4	Bolt - Carriage - M12 x 30 mm
		140046	8140046		4	Washer - Lock - M12
		337475	8337475		4	Nut - Hex - M12
27		45393	8045393		1	Collar
28		66497	8066497		1	Bearing

AR - As Required

MODEL 568 SQUARE BALER

FIG. 13 - DRIVES SHAFT ASSEMBLY



MODEL 568 SQUARE BALER

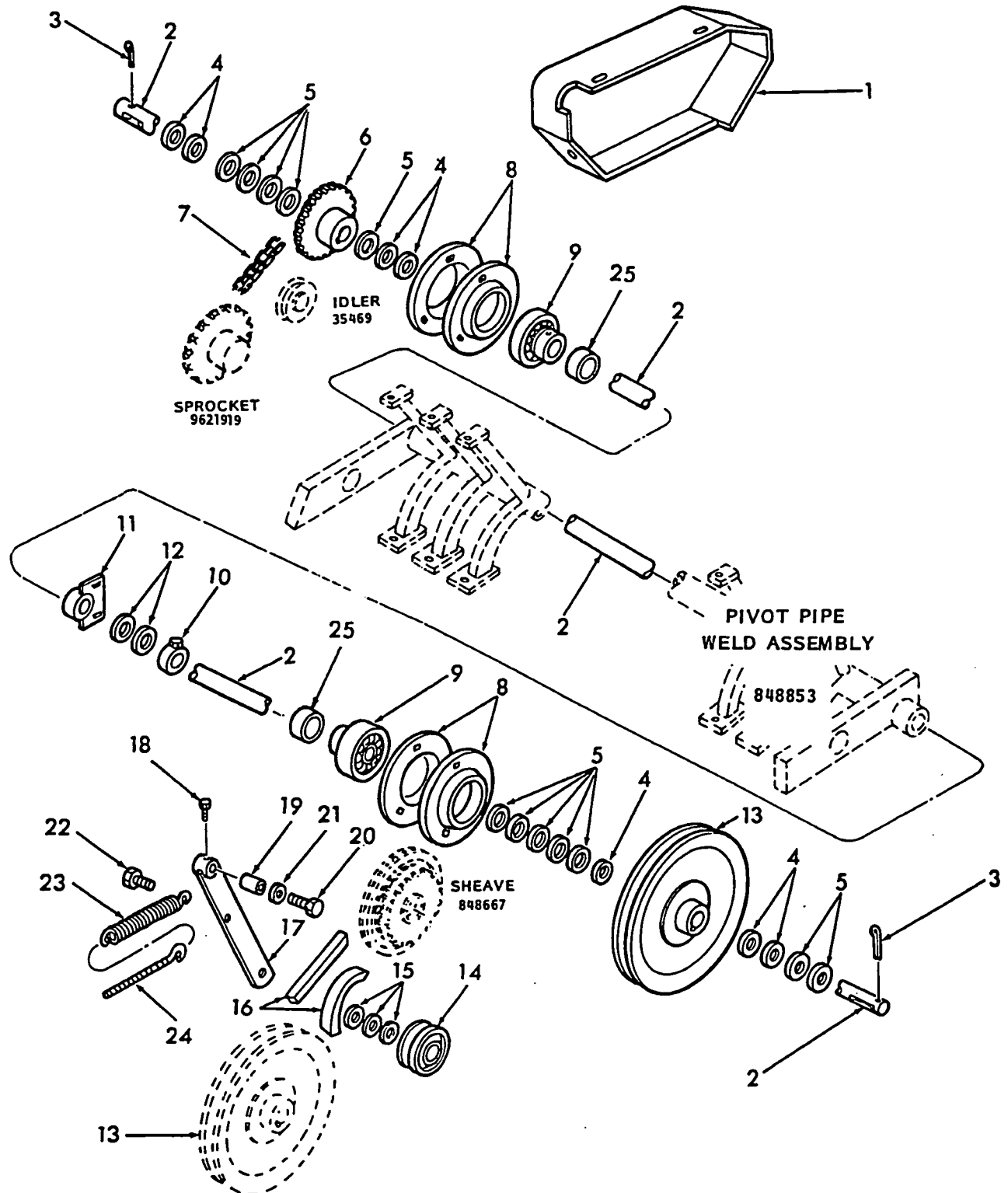
FIG. 13 - DRIVES SHAFT ASSEMBLY

REF	FN	PART NUMBER	FINIS	YR/VSN	QTY	DESCRIPTION
29		212733	8212733		1	Washer - Heat Treated
30		849189	8849189		1	Spacer
31		9801472	9801472		1	Pinion - 18T
		88019	8088019		2	Screw - Set - Square Hd. - C.P. - 5/16" x 3/4"
		84968	8084968		2	Nut - Jam - 5/16"
32		47216	8047216		1	Bearing
33		849186	8849186		1	Angle Weld Assembly
		120079	8120079		2	Screw - Cap - Hex Hd. - M12 x 40 mm
		140046	8140046		2	Washer - Lock - M12
		337475	8337475		2	Nut - Hex - M12
34		120079	8120079		2	Screw - Cap - Hex Hd. - M12 x 40 mm
35		140046	8140046		2	Washer - Lock - M12
36		337475	8337475		2	Nut - Hex - M12
37		412685	8412685		1	Pin - Cotter - 4 mm x 32 mm
38		9615177	9615177		1	Washer - Special
39		00673	8000673		1	Washer
40		245530	8245530		3 AR	Washer
41		245532	8245532		1 AR	Washer
42		245531	8245531		2	Washer
43		223796	8223796		1	Cone - Bearing
44		132709	8132709		2	Cup - Bearing
45		848667	8848667		1	Sheave
46		132710	8132710		1	Cone - Bearing
47		536293	8536293		2 AR	Washer - Hardened
48		412106	8412106		1	Cap - Locking
49		200734	8200734		1	Cap
50		120049	8120049		1	Bolt - Carriage - M12 x 90 mm
51		58745	8058745		1	Spacer
52		848924	8848924		1	Chain - Roller - RC 60 - 53 Total Pitches
		25808	8025808		AR	Link - Regular
		25817	8025817		1	Link - Offset
		165590	8165590		1	Link - Connector - Spring Clip
53		9801469	9801469		1	Shaft
54		87400	8087400		1	Pin - Cotter - 3/16" x 2"
55		47066	8047066		1	Bearing & Collar
56		354323	8354323		1	Bushing - Spacer

AR - As Required

MODEL 568 SQUARE BALER

FIG. 14 - DRIVES ASSEMBLY



MODEL 568 SQUARE BALER

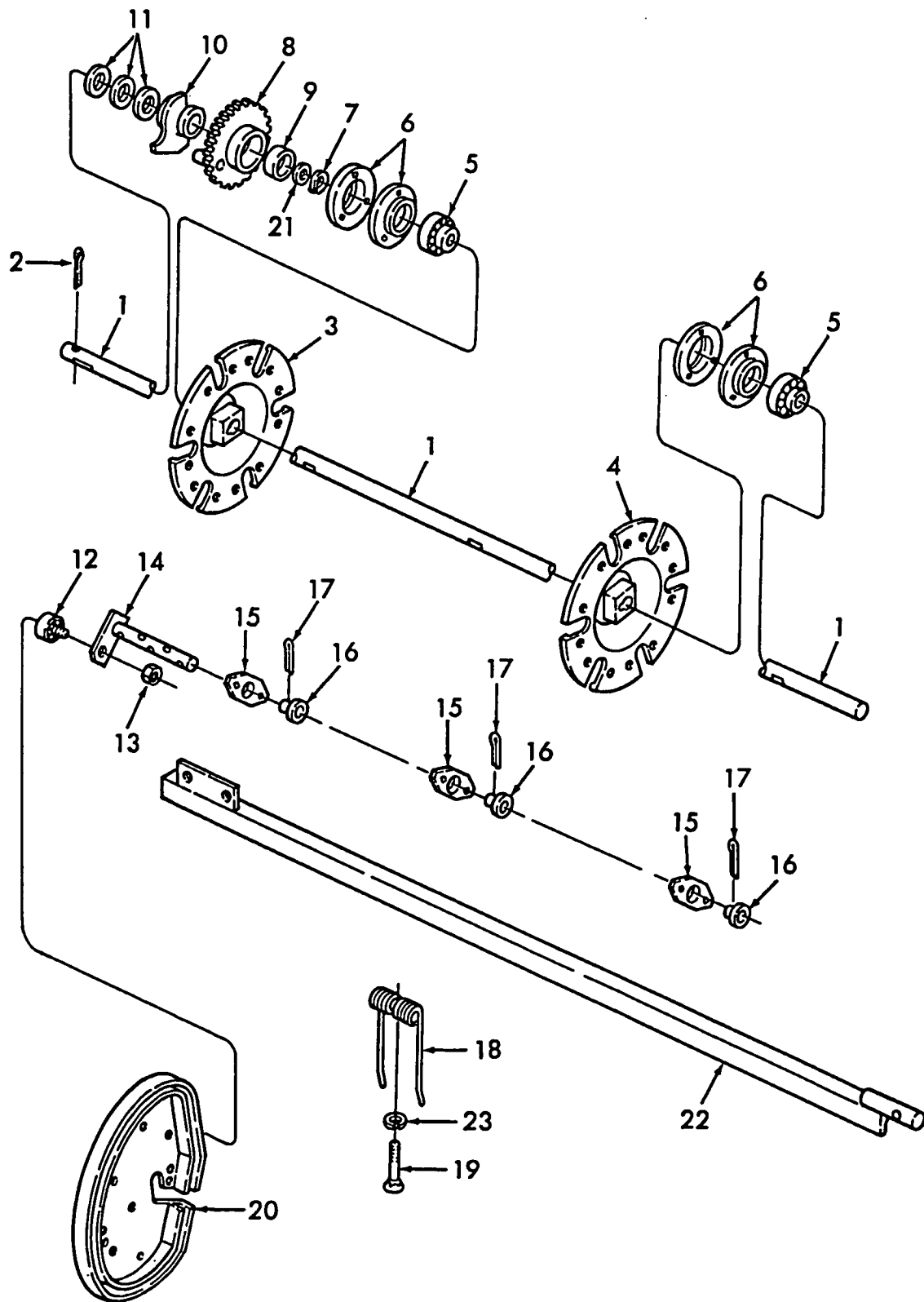
FIG. 14 - DRIVES ASSEMBLY

REF	FN	PART NUMBER	FINIS	YR/SN	QTY	DESCRIPTION
1		849000	8849000		1	Shield - R.H.
		120103	8120103		3	Screw - Cap - Hex Hd. - M8 x 16 mm
		322358	8322358		3	Washer - Lock - M8
2		9801461	9801461		1	Shaft - Pickup Drive
3		87399	8087399		2	Pin - Cotter - 3/16" x 1-3/4"
4		140108	8140108		7 AR	Washer - 31 mm ID x 37 mm OD x 1 mm Thick
		00672	8000672		7 AR	Washer - 1-9/64" ID x 1-5/8" OD x 1/32" Thick
5		00673	8000673		12 AR	Washer - 1-9/64" ID x 1-5/8" OD x .060 Thick
6		9801459	9801459		1	Sprocket Weld Assembly - 17T
		170005	8170005		1	Key - Square - 8 mm x 7 mm x 25 mm
		84361	8084361		1	Key - Woodruff - 1/4" x 1-1/4"
7		9621911	9621911		1	Chain Assembly - RC 2050 - 35 Total Pitches
		25810	8025810		AR	Link - Roller
		25193	8025193		AR	Link - Coupler - Cotter Pin Type
		25819	8025819		AR	Link - Offset - Cotter Pin Type
8		43048	8043048		4	Flangette
		120109	8120109		6	Screw - Cap - Hex Hd. - M10 x 20 mm
		140045	8140045		6	Washer - Lock - M10
		100016	8100016		6	Nut - Hex - M10
9		45882	8045882		2	Bearing - Ball
10		9604513	9604513		1	Collar Weld Assembly
		395895	8395895		1	Screw - Set - Square Hd. - M12 x 40 mm
		337475	8337475		1	Nut - Hex - M12
11		226036	8226036		1	Tube Weld Assembly
		120111	8120111		2	Screw - Cap - Hex Hd. - M10 x 30 mm
		140045	8140045		2	Washer - Lock - M10
		100016	8100016		2	Nut - Hex - M10
12		58588	8058588		2 AR	Washer
13		9801460	9801460		1	Sheave
		84361	8084361		1	Key - Woodruff - 1/4" x 1-1/4"
14		573649	8573649		1	Idler
		120082	8120082		1	Screw - Cap - Hex Hd. - M12 x 60 mm
		140046	8140046		1	Washer - Lock - M12
		337475	8337475		1	Nut - Hex - M12
15		87364	8087364		3	Washer - 1/2" SAE
16		9808497	9808497		1	V-Belt
17		848603	8848603		1	Arm Weld Assembly
18		87569	8087569		1	Fitting - Lube 1/4" - 28 - 45° Self-Tapping
19		334712	8334712		1	Spacer
20		120069	8120069		1	Screw - Cap - Hex Hd. - M10 x 50 mm
21		140045	8140045		1	Washer - Lock - M10
22		120111	8120111		1	Screw - Cap - Hex Hd. - M10 x 30 mm
		100016	8100016		2	Nut - Hex - M10
23		180039	8180039		1	Tension - Spring
24		848606	8848606		1	Bolt - Eye
		100015	8100015		2	Nut - Hex - M8
25		45876	8045876		2	Collar - Locking

AR - As Required

MODEL 568 SQUARE BALER

FIG. 15 - SHAFT AND PICKUP FINGER ASSEMBLY



MODEL 568 SQUARE BALER

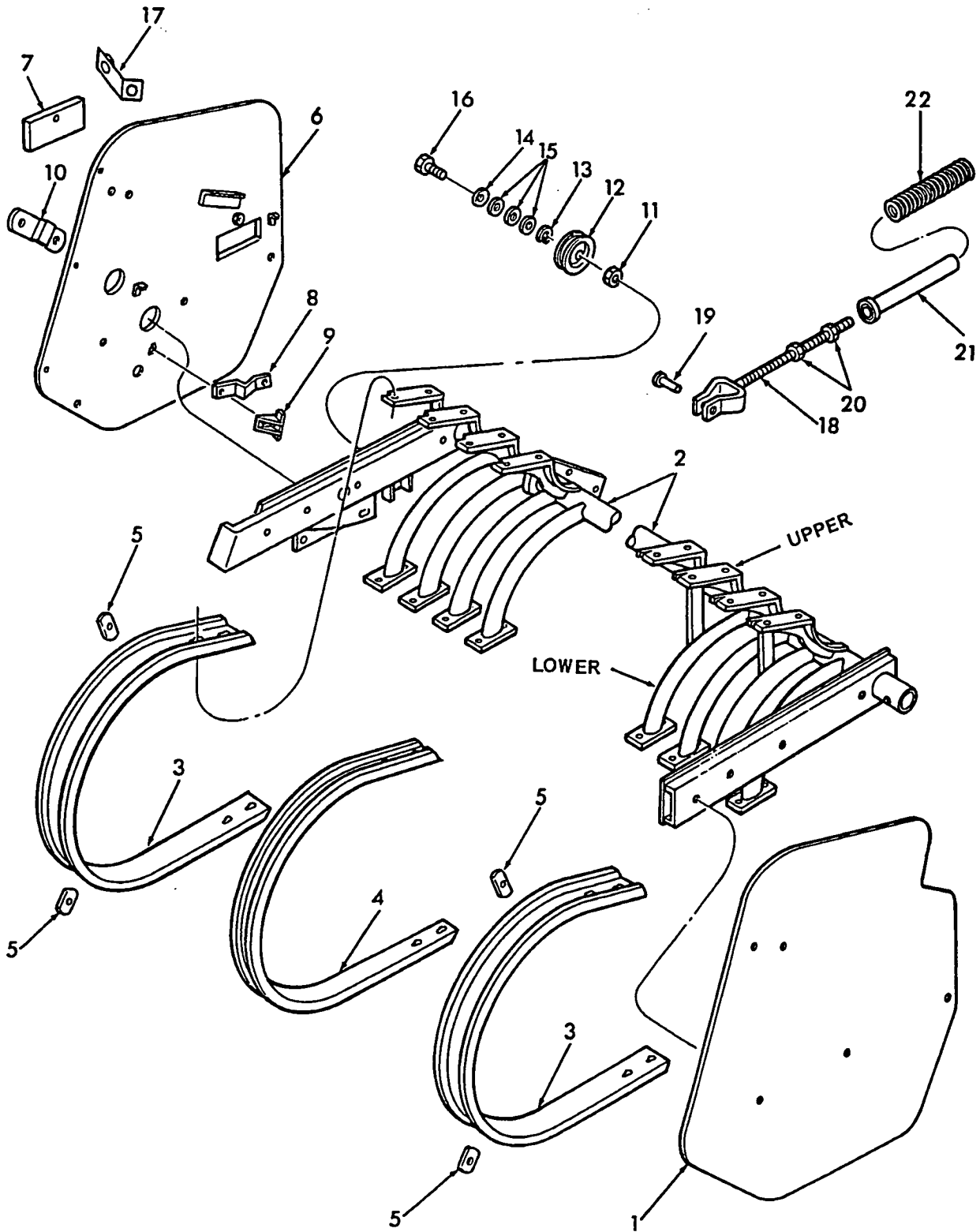
FIG. 15 - SHAFT AND PICKUP FINGER ASSEMBLY

REF	FN	PART NUMBER	FINIS	YR/SN	QTY	DESCRIPTION
1		9801511	9801511		1	Shaft - Reel Driven
2		87399	8087399		1	Pin - Cotter - 3/16" x 1-3/4"
3		9801466	9801466		1	Finger Disc Weld Assembly
		84361	8084361		1	Key - Woodruff - 1/4" x 1-1/4"
		120070	8120070		1	Screw - Cap - Hex Hd. - M10 x 60 mm
		100037	8100037		1	Nut - Lock - M10
4		9801464	9801464		1	Finger Disc Weld Assembly
		84361	8084361		1	Key - Woodruff - 1/4" x 1-1/4"
		100037	8100037		1	Nut - Lock - M10
		120070	8120070		1	Screw - Cap - Hex Hd. - M10 x 60 mm
5		45882	8045882		2	Bearing - Ball
		45876	8045876		2	Collar
6		43048	8043048		4	Flange, Bearing
		120111	8120111		6	Screw - Cap - Hex Hd. - M10 x 30 mm
		140045	8140045		6	Washer - Lock - M10
7		370008	8370008		1	Ring - Retaining
8		9621919	9621919		1	Sprocket Weld Assembly - 33T Includes: 9
9		3963214	3963214		1	Bushing
10		9801463	9801463		1	Hub Weld Assembly
		84361	8084361		1	Key - Woodruff - 1/4" x 1-1/4"
11		140108	8140108		3 AR	Washer
12		40714	8040714		6	Bearing - Cam Roller
13		100037	8100037		6	Nut - Lock
14		848917	8848917		6	Shaft Weld Assembly
15		54695	8054695		12	Carrier
		120041	8120041		24	Bolt - Carriage - M10 x 20 mm
		140045	8140045		24	Washer - Lock - M10
		100016	8100016		24	Nut - Hex - M10
16		54770	8054770		12	Bearing
17		136521	8136521		12	Pin - Cotter - Hardened
18		788853	8788853		66	Finger - Pickup
19		120111	8120111		66	Screw - Cap - Hex Hd. - M10 x 30 mm
20		185562	8185562		1	Cam Weld Assembly
21		641845	8641845		2 AR	Washer
22		9801581	9801581		6	Angle Weld Assembly
23		140045	8140045		66	Washer - Lock - M10

AR - As Required

MODEL 568 SQUARE BALER

FIG. 16 - PIVOT PIPE ASSEMBLY



MODEL 568 SQUARE BALER

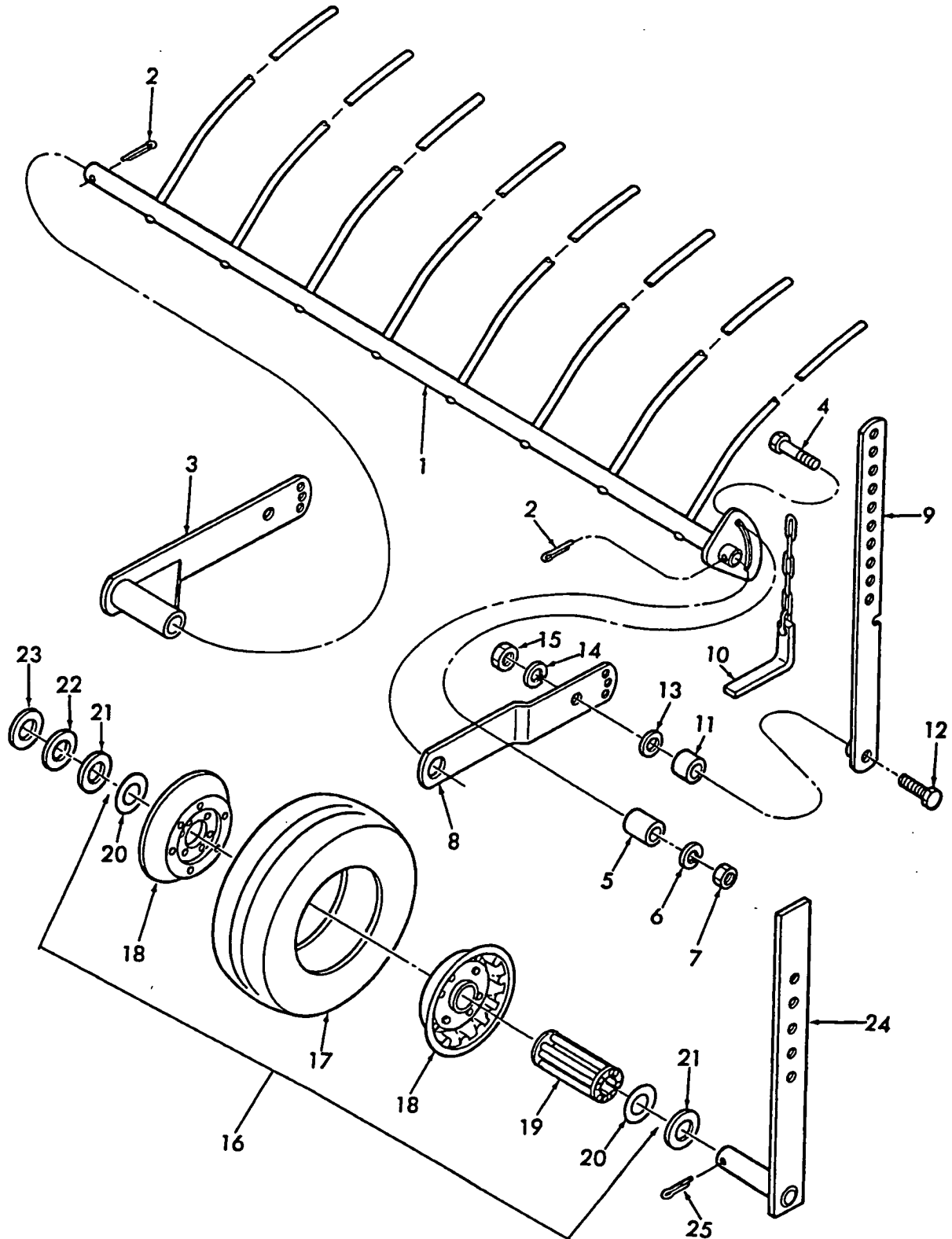
FIG. 16 - PIVOT PIPE ASSEMBLY

REF	FN	PART NUMBER	FINIS	YR/SN	QTY	DESCRIPTION
1		849358	8849358		1	Side Sheet Weld Assembly - L.H.
		120109	8120109		3	Screw - Cap - Hex Hd. - M10 x 20 mm
		140045	8140045		3	Washer - Lock - M10
2		848853	8848853		1	Pivot Pipe Weld Assembly Includes: 9604507 & 9604508
		440584	8440584		1	Bolt - Tap - M12 x 55 mm
		120069	8120069		3	Screw - Cap - Hex Hd. - M10 x 50 mm
		140045	8140045		3	Washer - Lock - M10
		100016	8100016		3	Nut - Hex - M10
		337475	8337475		3	Nut - Hex - M12
		9604507	9604507		AR	Upper Support Weld Assembly
3		9604508	9604508		AR	Lower Support Weld Assembly
		848563	8848563		2	Guard - Pickup
4		380426	8380426		8	Screw - Thread Forming - M6 x 10 mm
		848564	8848564		21	Guard - Pickup
		380426	8380426		84	Screw - Thread Forming - M6 x 10 mm
5		40662	8040662		4	Bracket
		120014	8120014		4	Screw - Machine - Cylinder Hd. - M6 x 20 mm
		322357	8322357		4	Washer - Lock - M6
		100014	8100014		4	Nut - Hex - M6
6		849360	8849360		1	Side Sheet Weld Assembly - R.H.
		120111	8120111		3	Screw - Cap - Hex Hd. - M10 x 30 mm
		140045	8140045		3	Washer - Lock M10
7		848495	8848495		1	Cover
		120104	8120104		1	Screw - Cap - Hex Hd. - M8 x 20 mm
		322358	8322358		1	Washer - Lock - M8
		100015	8100015		1	Nut - Hex - M8
8		184388	8184388		1	Support Weld Assembly
		120104	8120104		2	Screw - Cap - Hex Hd. - M8 x 20 mm
		322358	8322358		2	Washer - Lock - M8
		100015	8100015		2	Nut - Hex - M8
9		613453	8613453		1	Bracket Weld Assembly
10		617632	8617632		1	Cover
		120014	8120014		1	Screw - Machine - Cylinder Hd. - M6 x 20 mm
		322357	8322357		1	Washer - Lock - M6
		100014	8100014		1	Nut - Hex - M6
11		337475	8337475		1	Nut - Hex - M12
12		35469	8035469		1	Idler
13		140046	8140046		1	Washer - Lock - M12
14		140020	8140020		1	Washer - 18 mm x 30 mm x 3 mm
15		87364	8087364		3 AR	Washer - Flat - 1/2" SAE
16		412097	8412097		1	Bolt - Carriage - M12 x 60 mm
17		9621869	9621869		1	Mount Weld Assembly
18		573004	8573004		2	Clevis Weld Assembly
19		76877	8076877		2	Pin - Clevis
		80755	8080755		2	Pin - Cotter - 1/8" x 1"
20		84971	8084971		4	Nut - Jam - 5/8"
21		573003	8573003		2	Tube Weld Assembly
22		50564	8050564		2	Spring

AR - As Required

MODEL 568 SQUARE BALER

FIG. 17 - WINDGUARD AND PICKUP WHEEL



MODEL 568 SQUARE BALER

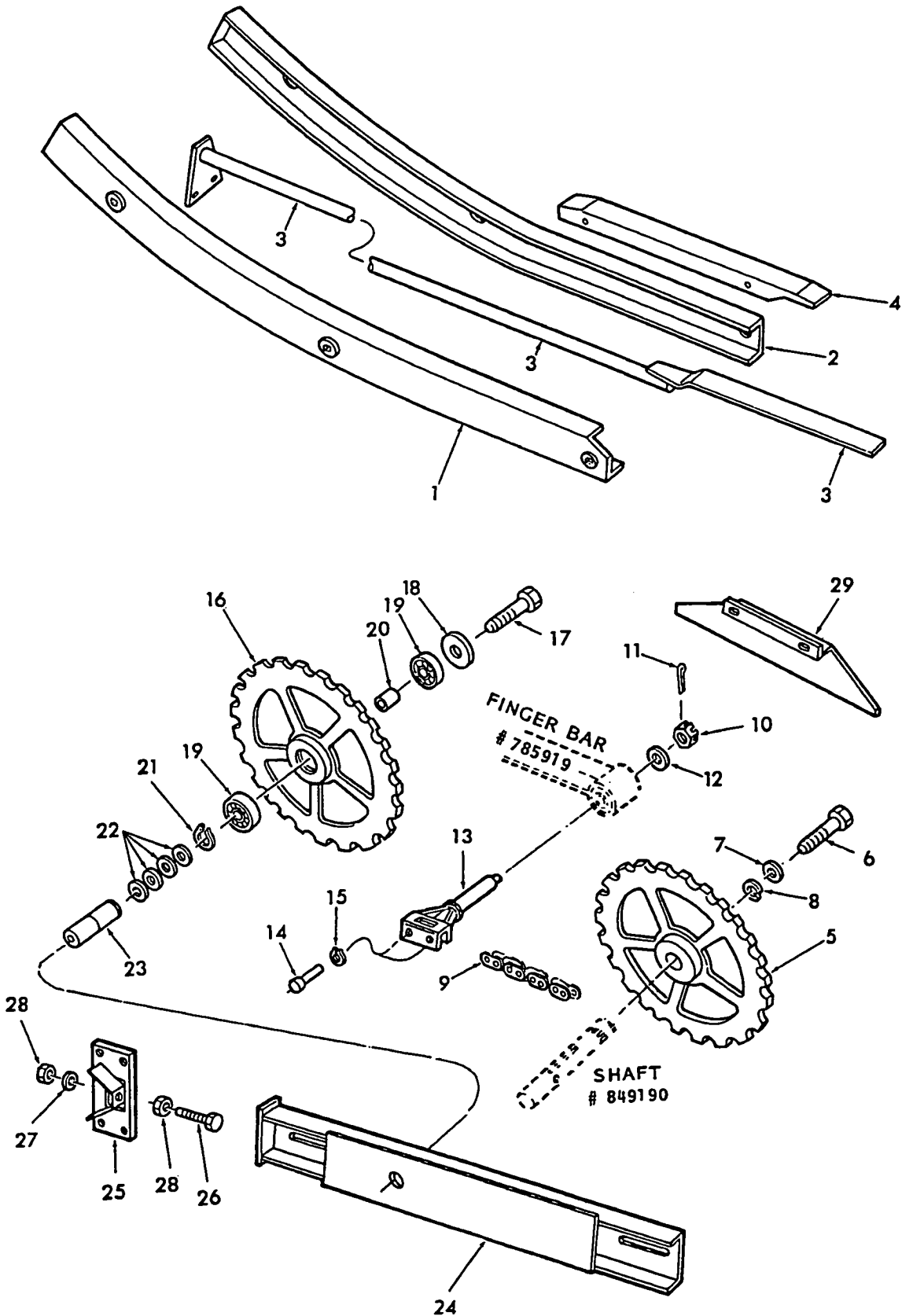
FIG. 17 - WINDGUARD AND PICKUP WHEEL

REF	FN	PART NUMBER	FINIS	YR/SN	QTY	DESCRIPTION
1		848857	8848857		1	Windguard Weld Assembly
2		87041	8087041		2	Pin - Cotter - 1/4" x 1-3/4"
3		848574	8848574		1	Bracket Weld Assembly
		120120	8120120		2	Screw - Cap - Hex Hd. - M12 x 30 mm
		140046	8140046		2	Washer - Lock - M12
		337475	8337475		2	Nut - Hex - M12
4		120245	8120245		2	Bolt - Carriage - M10 x 30 mm
5		44612	8044612		2	Spacer
6		140045	8140045		2	Washer - Lock - M10
7		100016	8100016		2	Nut - Hex - M10
8		848497	8848497		1	Support - Windguard
		120120	8120120		1	Screw - Cap Hex Hd. - M12 x 30 mm
		140046	8140046		1	Washer - Lock - M12
		337475	8337475		1	Nut - Hex - M12
9		9803122	9803122		1	Arm Weld Assembly
		120109	8120109		1	Screw - Cap - Hex Hd. - M10 x 20 mm
		140045	8140045		1	Washer - Lock - M10
		100016	8100016		1	Nut - Hex - M10
10		64159	8064159		1	Pin Weld Assembly
		120099	8120099		1	Screw - Cap - Hex Hd. - M6 x 16 mm
		322357	8322357		1	Washer - Lock - M6
		100014	8100014		1	Nut - Hex - M6
11		784264	8784264		1	Spacer
12		120081	8120081		1	Screw - Cap - Hex Hd. - M12 x 50 mm
13		65319	8065319		1	Washer
14		140046	8140046		1	Washer - Lock - M12
15		337475	8337475		1	Nut - Hex - M12
16		134021	8134021		1	Pickup Wheel Assembly - w/Tire Includes: 17-20
17		127561	8127561		1	Tire - Semi-Pneumatic Rib Tread 12 x 3.00
18		134020	8134020		1	Pickup Wheel Assembly Includes: 19 & 20
		87277	8087277		6	Screw - Cap - Hex Hd. - 1/4" x 1/2" UNF
		280158	8280158		6	Screw - Cap - Hex Hd. - 1/4" x 1-1/4" UNF
		80682	8080682		12	Washer - Lock - 1/4"
		84949	8084949		12	Nut - Hex - 1/4" UNF
19		134018	8134018		1	Bearing - Roller
20		134019	8134019		2	Seal - Washer
21		87381	8087381		2	Washer - 3/4" SAE
22		45960	8045960		3 AR	Washer
23		41261	8041261		1	Washer
24		848583	8848583		1	Bracket Weld Assembly
		120089	8120089		1	Bolt - Hex Tap - M16 x 40 mm
		140048	8140048		1	Washer - Lock - M16
25		87398	8087398		1	Pin - Cotter - 3/16" x 1-1/4"

AR - As Required

MODEL 568 SQUARE BALER

FIG. 18 - DRIVE CHAIN AND TRACK ASSEMBLIES



MODEL 568 SQUARE BALER

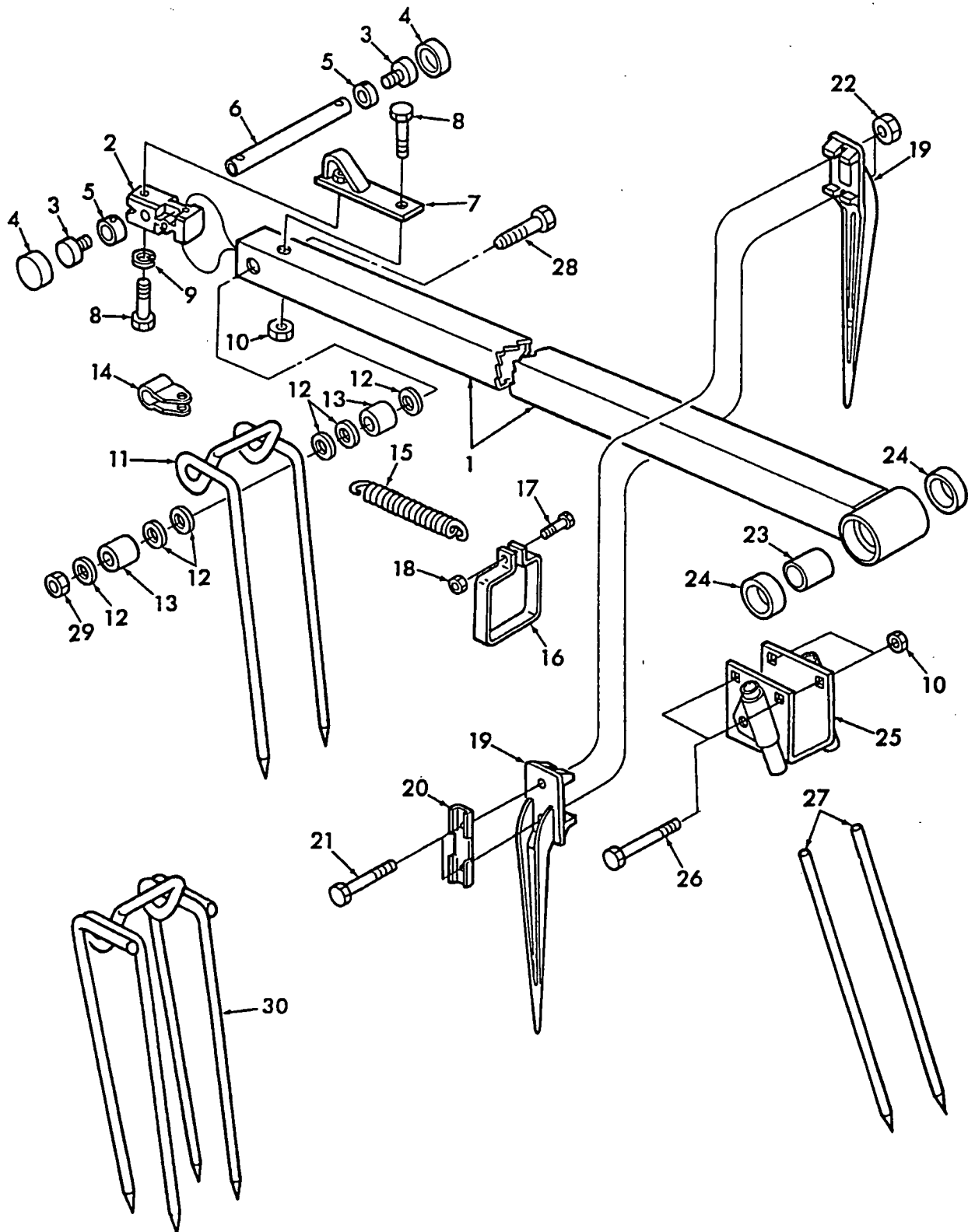
FIG. 18 - DRIVE CHAIN AND TRACK ASSEMBLIES

REF	FN	PART NUMBER	FINIS	YR/SN	QTY	DESCRIPTION
1		635569	8635569		1	Front - Cam Track
		120038	8120038		3	Bolt - Carriage - M8 x 30 mm
		87362	8087362		3	Washer - 5/16" SAE
		322358	8322358		3	Washer - Lock - M8
		100015	8100015		3	Nut - Hex - M8
2		635570	8635570		1	Rear - Cam Track
		120038	8120038		3	Bolt - Carriage - M8 x 30 mm
		87362	8087362		3	Washer - 5/16" SAE
		322358	8322358		3	Washer - Lock - M8
		100015	8100015		3	Nut - Hex - M8
3		849191	8849191		1	Hayguard Weld Assembly
		120037	8120037		2	Bolt - Carriage - M8 x 20 mm
		322358	8322358		2	Washer - Lock - M8
		100015	8100015		2	Nut - Hex - M8
4		646318	8646318		1	Bearing - Chain Wood
		280631	8280631		2	Bolt - Carriage - 5/16" x 2-1/4" - G5
		145458	8145458		2	Nut - Flange - USR 5/16"
5		137361	8137361		1	Sprocket - 24T
6		120120	8120120		1	Screw - Cap - Hex Hd. - M12 x 30 mm
7		9801096	9801096		1	Washer
8		140046	8140046		1	Washer - Lock - M12
9		637008	8637008		2	Chain - Feeder - RC #CA550 - 25 Pitches
		40241	8040241		1	Link - Connector
10		100031	8100031		1	Nut - Slotted - M12
11		80755	8080755		1	Pin - Cotter - 1/8" x 1"
12		87364	8087364		1	Washer - 1/2" SAE
13		800380	8800380		1	Kit - Chain Connector Includes: 14 & 15
14		643361	8643361		2	Pin - Link
15		643360	8643360		2	Ring - Retaining
16		134064	8134064		1	Sprocket - 24T
17		380425	8380425		1	Screw - Machine - Hex Socket Button Hd. - M10 x 20
18		58225	8058225		1	Washer
19		58260	8058260		2	Bearing
20		58224	8058224		1	Spacer
21		25121	8025121		2	Ring - Retaining
22		46200	8046200		4 AR	Washer
23		9604502	9604502		1	Shaft - Idler
24		9604476	9604476		1	Shaft & Brace Assembly Includes: 21 & 23
		120245	8120245		2	Bolt - Carriage - M10 x 30 mm
		145788	8145788		2	Washer
		100037	8100037		2	Nut - Lock - M10
25		637020	8637020		1	Bracket Weld Assembly
		120109	8120109		4	Screw - Cap - Hex Hd. - M10 x 20 mm
		140045	8140045		4	Washer - Lock - M10
		100016	8100016		4	Nut - Hex - M10
26		120116	8120116		1	Bolt - Hex Tap - M10 x 80 mm
27		285072	8285072		1	Washer - Heat Treated
28		100016	8100016		2	Nut - Hex - M10

AR - As Required

MODEL 568 SQUARE BALER

FIG. 19 - FINGER BAR ASSEMBLY



MODEL 568 SQUARE BALER

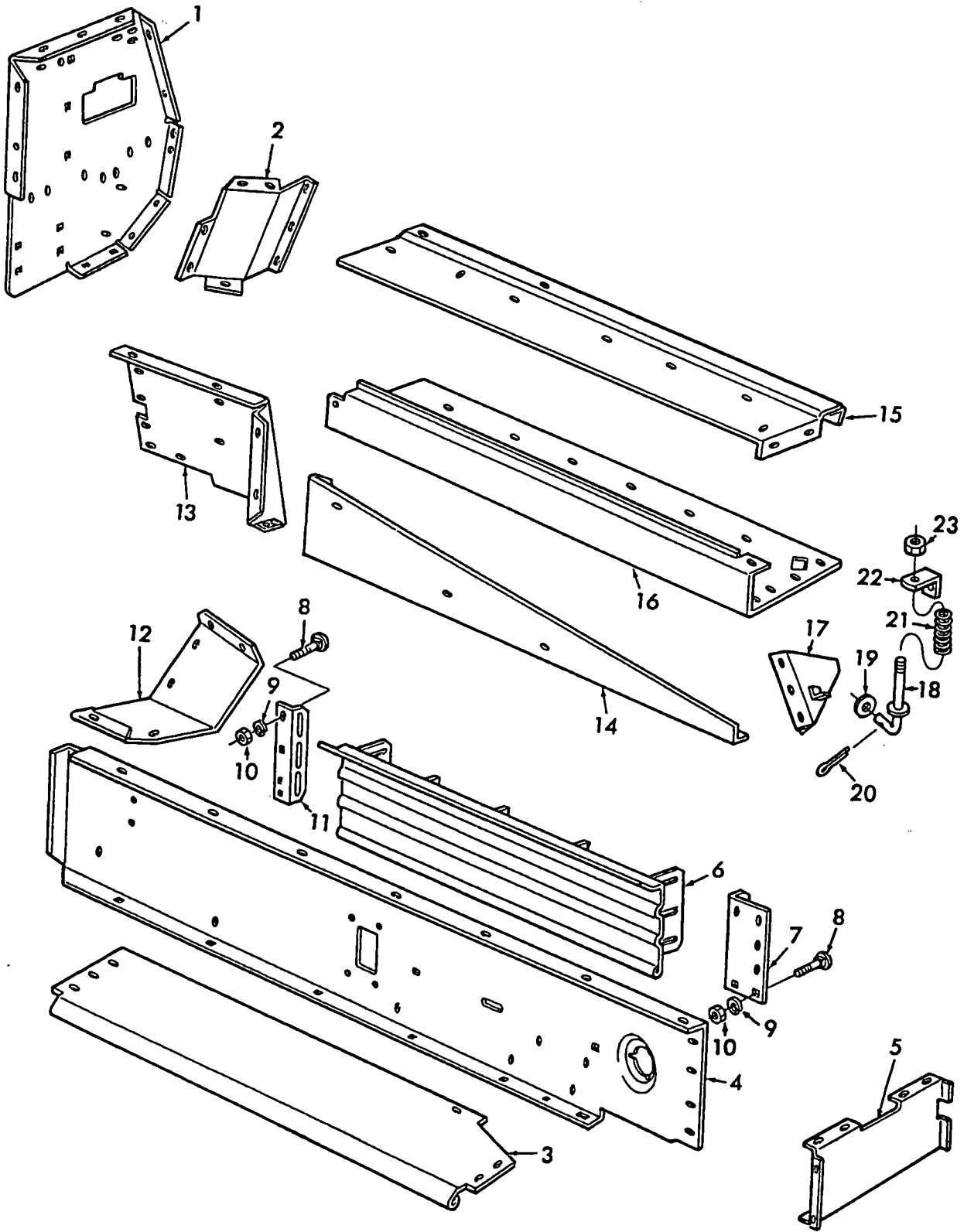
FIG. 19 - FINGER BAR ASSEMBLY

REF	FN	PART NUMBER	FINIS	YR/SN	QTY	DESCRIPTION
1		785919	8785919		1	Finger Bar Weld Assembly
2		9604488	9604488		1	Mount - Bearing
3		626037	8626037		2	Stud Assembly Includes: 4
4		624955	8624955		2	Cap
5		9604478	9604478		2	Collar - Set
		393598	8393598		2	Screw - Set - Square Hd. - M10 x 20 mm
6		9604479	9604479		1	Shaft
7		9604491	9604491		1	Bracket Weld Assembly
8		120071	8120071		2	Screw - Cap - Hex Hd. - M10 x 65 mm
9		140045	8140045		1	Washer - Lock - M10
10		100037	8100037		1	Nut - Lock - M10
11		781585	8781585		1	Tooth - Feeder
12		87016	8087016		6	Washer - 3/8" SAE
13		137938	8137938		2	Spacer
14		242780	8242780		1	Clip
		120100	8120100		1	Screw - Cap - Hex Hd. - M6 x 20 mm
		353308	8353308		1	Nut - Lock - M6
15		00015	8000015		1	Spring
16		624898	8624898		1	Clamp
17		120100	8120100		1	Screw - Cap - Hex Hd. - M6 x 20 mm
18		353308	8353308		1	Nut - Lock - M6
19		252178	8252178		2	Finger
20		535579	8535579		1	Clip - Bolt
21		120064	8120064		2	Screw - Cap - Hex Hd. - M8 x 90 mm
22		100067	8100067		1	Nut - Lock - M8
23		44654	8044654		1	Spacer
24		44680	8044680		2	Bearing
25		9604490	9604490		1	Finger Support Weld Assembly
		120191	8120191		2	Bolt - Carriage - M8 x 40 mm
		100067	8100067		2	Nut - Lock - M8
26		412189	8412189		2	Bolt - Carriage - M10 x 80 mm
27		165030	8165030		2	Finger
28		280246	8280246		1	Screw - Cap - Hex Hd. - G8 - 3/8" x 5"
29		88902	8088902		1	Nut - Lock - GC - 3/8"
30		711767	8711767		AR	Feeder Tooth Weld Assembly - Optional

AR - As Required

MODEL 568 SQUARE BALER

FIG. 20 - FEEDER SHIELDING



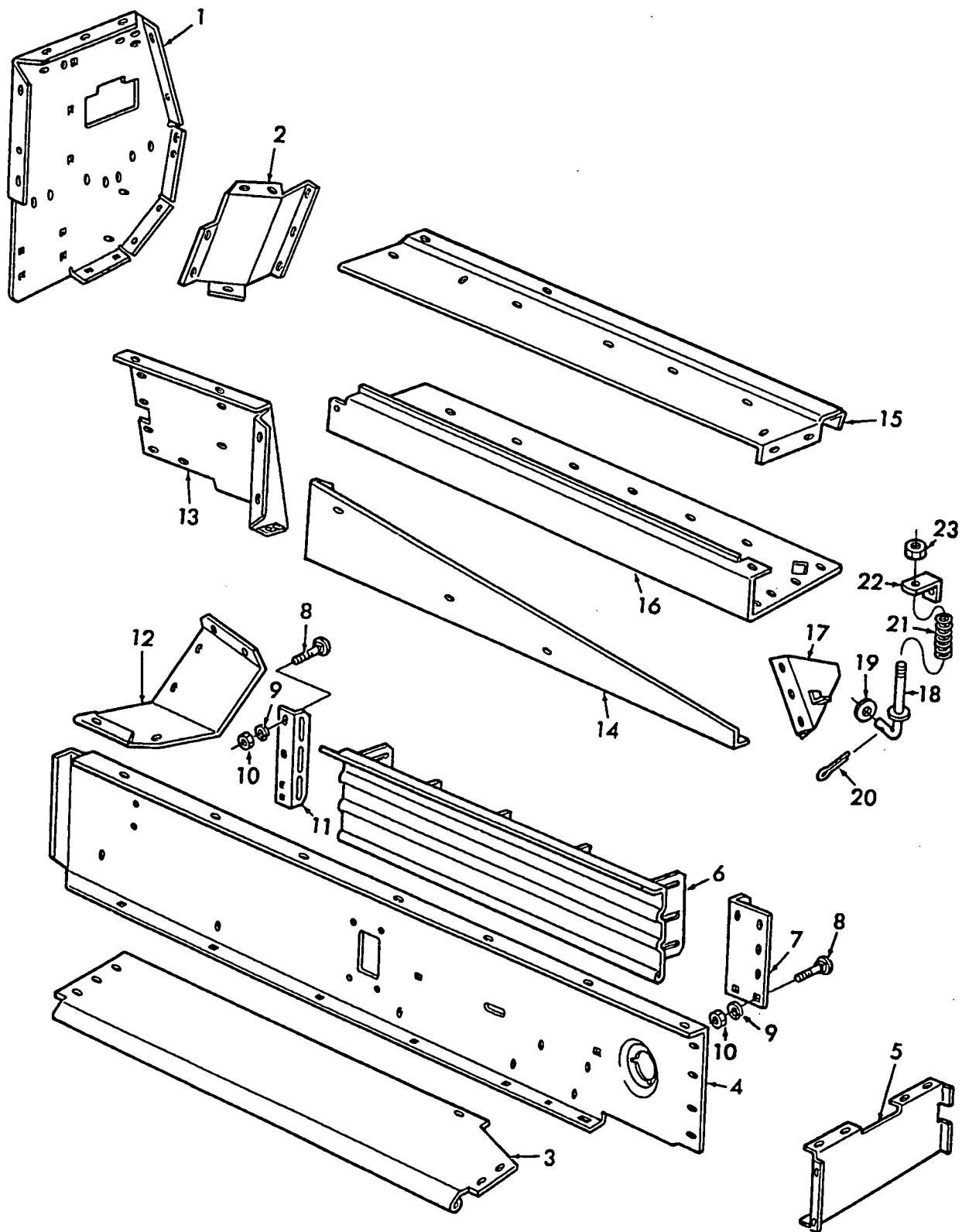
MODEL 568 SQUARE BALER

FIG. 20 - FEEDER SHIELDING

REF	FN	PART NUMBER	FINIS	YR/SN	QTY	DESCRIPTION
1		9604427	9604427		1	End Support Weld Assembly
2		9604451	9604451		1	Filler
		381014	8381014		2	Screw - Self-Tapping - M8 x 16 mm
		120037	8120037		5	Bolt - Carriage - M8 x 20 mm
		322358	8322358		5	Washer - Lock - M8
		100015	8100015		5	Nut - Hex - M8
3		849194	8849194		1	Feeder Bottom Weld Assembly
		120041	8120041		2	Bolt - Carriage - M10 x 20 mm
		120037	8120037		6	Bolt - Carriage - M8 x 20 mm
		140045	8140045		2	Washer - Lock - M10
		322358	8322358		6	Washer - Lock - M8
		100016	8100016		2	Nut - Hex - M10
		100015	8100015		6	Nut - Hex - M8
4		849209	8849209		1	Plate - Feeder Support
		120245	8120245		3	Bolt - Carriage - M10 x 30 mm
		120037	8120037		6	Bolt - Carriage - M8 x 20 mm
		145788	8145788		3	Washer
		322358	8322358		6	Washer - Lock - M8
		100037	8100037		3	Nut - Lock - M10
		100015	8100015		6	Nut - Hex - M8
5		849200	8849200		1	Sheet - End
		120037	8120037		5	Bolt - Carriage - M8 x 20 mm
		87362	8087362		1	Washer - 5/16" SAE
		322358	8322358		5	Washer - Lock - M8
		100015	8100015		5	Nut - Hex - M8
6		849204	8849204		1	Feeder Back Weld Assembly
		120037	8120037		6	Bolt - Carriage - M8 x 20 mm
		87362	8087362		6	Washer - 5/16" SAE
		322358	8322358		6	Washer - Lock - M8
		100015	8100015		6	Nut - Hex - M8
7		849202	8849202		1	Plate
		120037	8120037		5	Bolt - Carriage - M8 x 20 mm
		322358	8322358		5	Washer - Lock - M8
		100015	8100015		5	Nut - Hex - M8
8		120038	8120038		1	Bolt - Carriage - M8 x 30
9		322358	8322358		1	Washer - Lock - M8
10		100015	8100015		1	Nut - Hex - M8
11		849211	8849211		1	Angle
		120037	8120037		3	Bolt - Carriage - M8 x 20 mm
		322358	8322358		3	Washer - Lock - M8
		100015	8100015		3	Nut - Hex - M8
12		9604452	9604452		1	Shield
		381014	8381014		4	Screw - Self-Tapping - M8 x 16 mm
		120037	8120037		1	Bolt - Carriage - M8 x 20 mm
		322358	8322358		1	Washer - Lock - M8
		100015	8100015		1	Nut - Hex - M8
13		9604440	9604440		1	Sheet - Rear
		120037	8120037		1	Bolt - Carriage - M8 x 20 mm
		322358	8322358		1	Washer - Lock - M8
		100015	8100015		1	Nut - Hex - M8

MODEL 568 SQUARE BALER

FIG. 20 - FEEDER SHIELDING



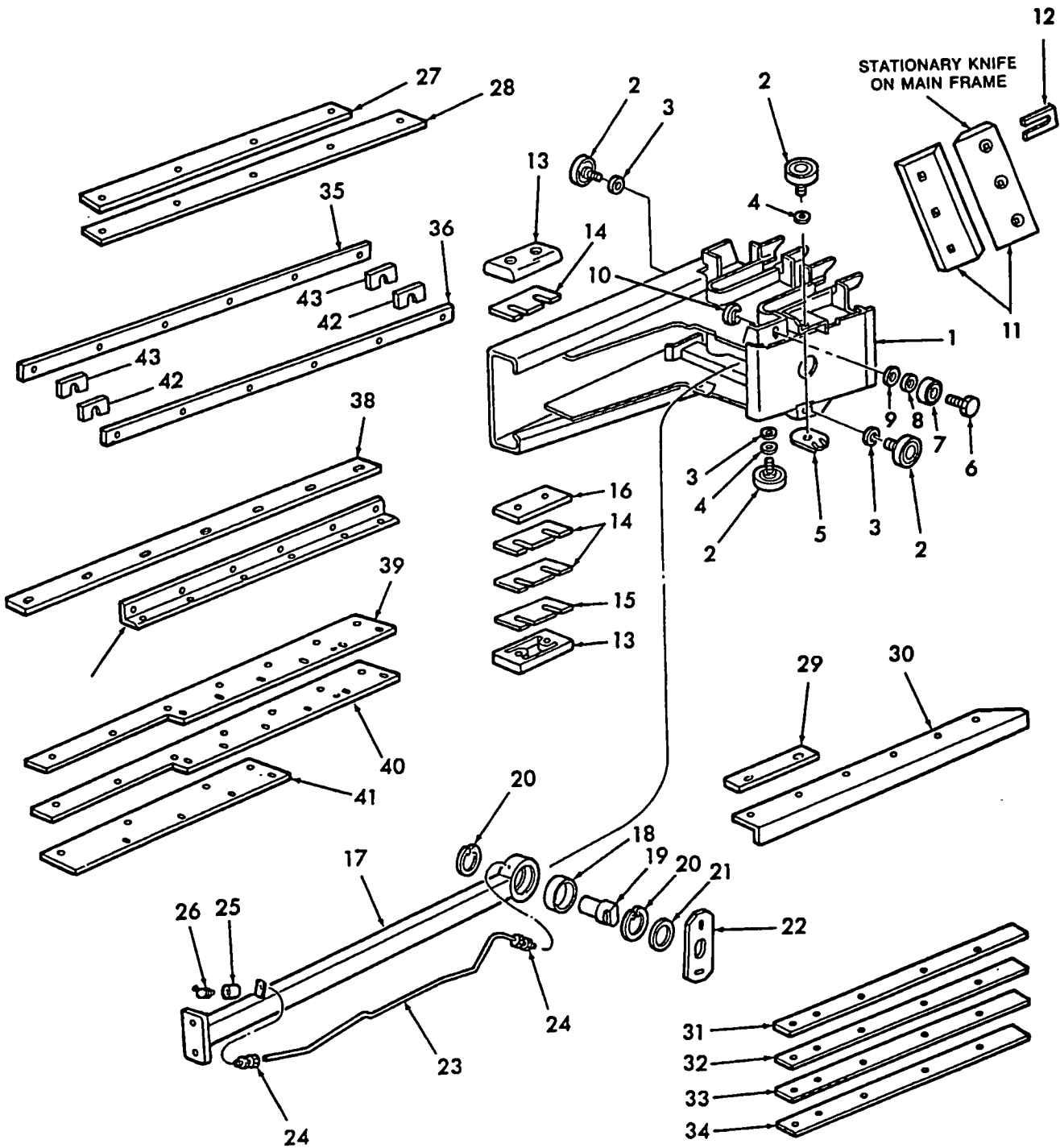
MODEL 568 SQUARE BALER

FIG. 20 - FEEDER SHIELDING

REF	FN	PART NUMBER	FINIS	YR/SN	QTY	DESCRIPTION
14		849210	8849210		1	Support - Feeder - Rear
		120037	8120037		8	Bolt - Carriage - M8 x 20 mm
		322358	8322358		8	Washer - Lock - M8
		100015	8100015		8	Nut - Hex - M8
		120041	8120041		2	Bolt - Carriage - M10 x 20 mm
		140045	8140045		2	Washer - Lock - M10
		100016	8100016		2	Nut - Hex - M10
15		849197	8849197		1	Feeder Top Weld Assembly
		120037	8120037		8	Bolt - Carriage - M8 x 20 mm
		322358	8322358		8	Washer - Lock - M8
		100015	8100015		8	Nut - Hex - M8
16		849199	8849199		1	Top - Feeder
		120037	8120037		5	Bolt - Carriage - M8 x 20 mm
		120039	8120039		2	Bolt - Carriage - M8 x 50 mm
		322358	8322358		7	Washer - Lock - M8
		100015	8100015		7	Nut - Hex - M8
17		643593	8643593		1	Hay Stop Weld Assembly
		120099	8120099		3	Screw - Cap - Hex Hd. - M6 x 16 mm
		322357	8322357		3	Washer - Lock - M6
		100014	8100014		3	Nut - Hex - M6
18		53068	8053068		1	Link
19		87362	8087362		1	Washer - 5/16" SAE
20		88163	8088163		1	Pin - Cotter - 1/8" x 1/2" - Heat Treated
21		38527	8038527		1	Spring
22		645970	8645970		1	Bracket
23		100067	8100067		1	Nut - Lock - M8

MODEL 568 SQUARE BALER

FIG. 21 - PLUNGER



MODEL 568 SQUARE BALER

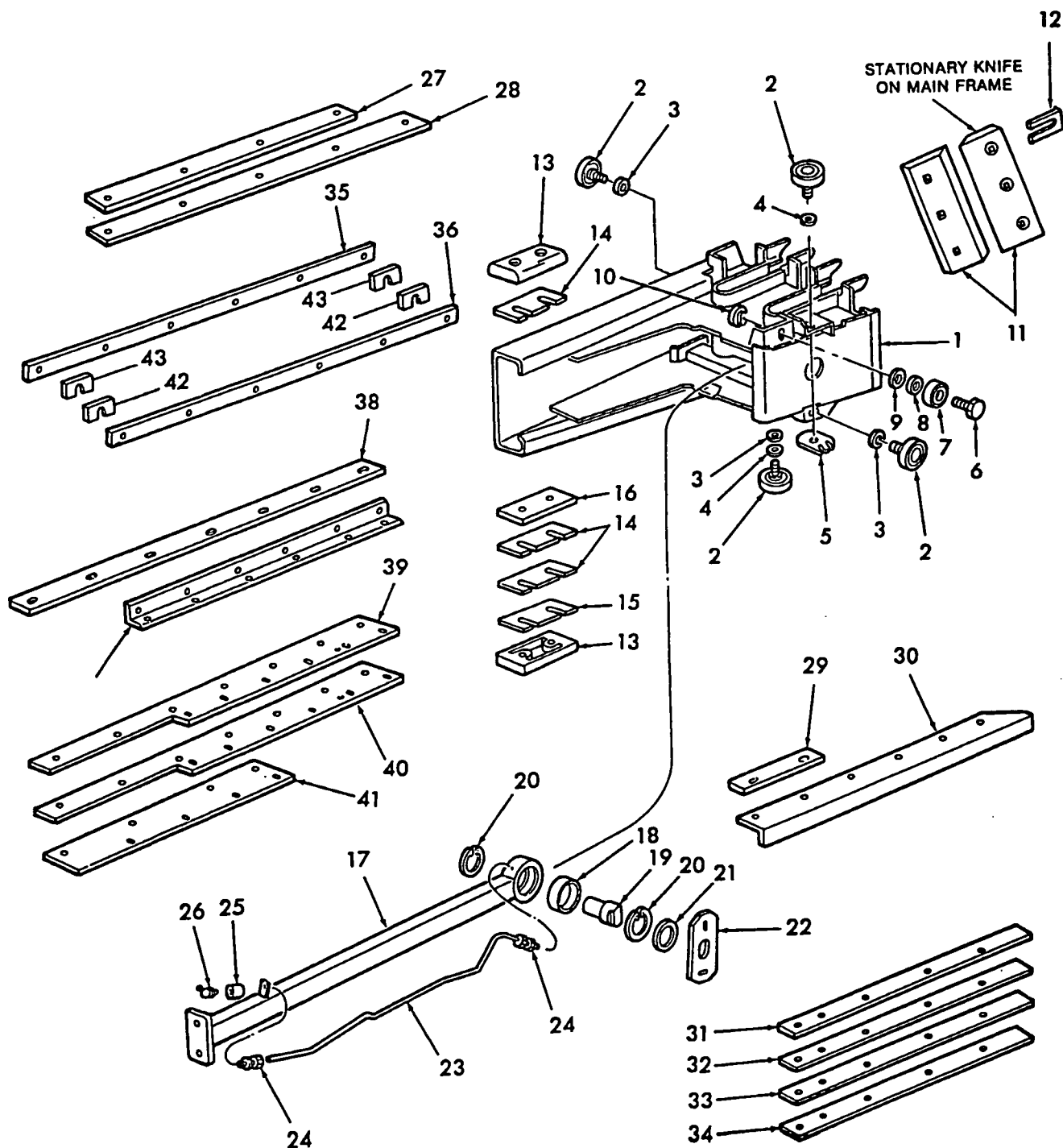
FIG. 21 - PLUNGER

REF	FN	PART NUMBER	FINIS	YR/SN	QTY	DESCRIPTION
1		9807793	9807793		1	Plunger Weld Assembly
2		688282	8688282		4	Bearing - Plunger
		280724	8280724		4	Nut - Lock - 3/4" UNF
3		248883	8248883		3	Washer
4		259247	8259247		2	Washer
5		691326	8691326		1	Cam
6		88062	8088062		1	Screw - Cap - Hex Hd. - G5 - 5/8" x 1-1/2"
7		165484	8165484		1	Bearing
8		27367	8027367		1	Washer
9		88606	8088606		1	Washer - Lock
10		284620	8284620		1	Nut - Bearing
11		625972	8625972		2	Knife - Slicing
		380420	8380420		3	Bolt - Plow - M12 x 40 mm
		140046	8140046		3	Washer - Lock - M12
		337475	8337475		3	Nut - Hex - M12
12		67510	8067510		6 AR	Shim - .010" x 1-11/16" Lg
		67606	8067606		6 AR	Shim - .024" x 1-11/16" Lg
13		848530	8848530		2	Slide - Plunger
		120245	8120245		2	Bolt - Carriage - M10 x 30 mm Top Slide
		140045	8140045		4	Washer - Lock - M10
		100016	8100016		4	Nut - Hex - M10
		374892	8374892		2	Bolt - Carriage - M10 x 40 mm - Bottom Slide
		35097	8035097		2	Slug - Bottom Slide
14		848533	8848533		3 AR	Shim - 0.8 mm
15		848534	8848534		2	Shim - 1.5 mm
16		848536	8848536		1	Spacer
17		848545	8848545		1	Connecting Rod Weld Assembly
18		848532	8848532		1	Bushing - Spherical
19		848535	8848535		1	Pin
20		370012	8370012		2	Ring - Retaining
21		443076	8443076		1	Washer
22		848531	8848531		1	Plate
		120104	8120104		2	Screw - Cap - Hex Hd. - M8 x 20 mm
		322358	8322358		2	Washer - Lock - M8
		100015	8100015		2	Nut - Hex - M8
23		848537	8848537		1	Line - Grease
24		11787	8011787		2	Fitting
25		91932	8091932		1	Coupling - 1/8"
26		80719	8080719		1	Fitting - Lube - 1/8" PT - 90°
27		848910	8848910		1	Spacer - 3.5 mm
28		848542	8848542		1	Rail - R.H. Upper - 914 mm - 35.98" Lg
		120103	8120103		5	Screw - Cap - Hex Hd. - M8 x 16 mm
		322358	8322358		5	Washer - Lock - M8
29		848490	8848490		1	Spacer - 4 mm
30		848540	8848540		1	Rail - Plunger - L.H. - Upper - 870 mm - 34.25" Long
		120103	8120103		6	Screw - Cap - Hex Hd. - M8 x 16 mm
		322358	8322358		6	Washer - Lock - M8
31		9615571	9615571		1	Rail - L.H. - Lower - 800 mm - 31.5" Lg
		62196	8062196		5	Bolt - Flat Countersunk Hd. - Square Neck - M8 x 22 mm
		322358	8322358		5	Washer - Lock - M8
		100015	8100015		5	Nut - Hex - M8

AR - As Required

MODEL 568 SQUARE BALER

FIG. 21 - PLUNGER



MODEL 568 SQUARE BALER

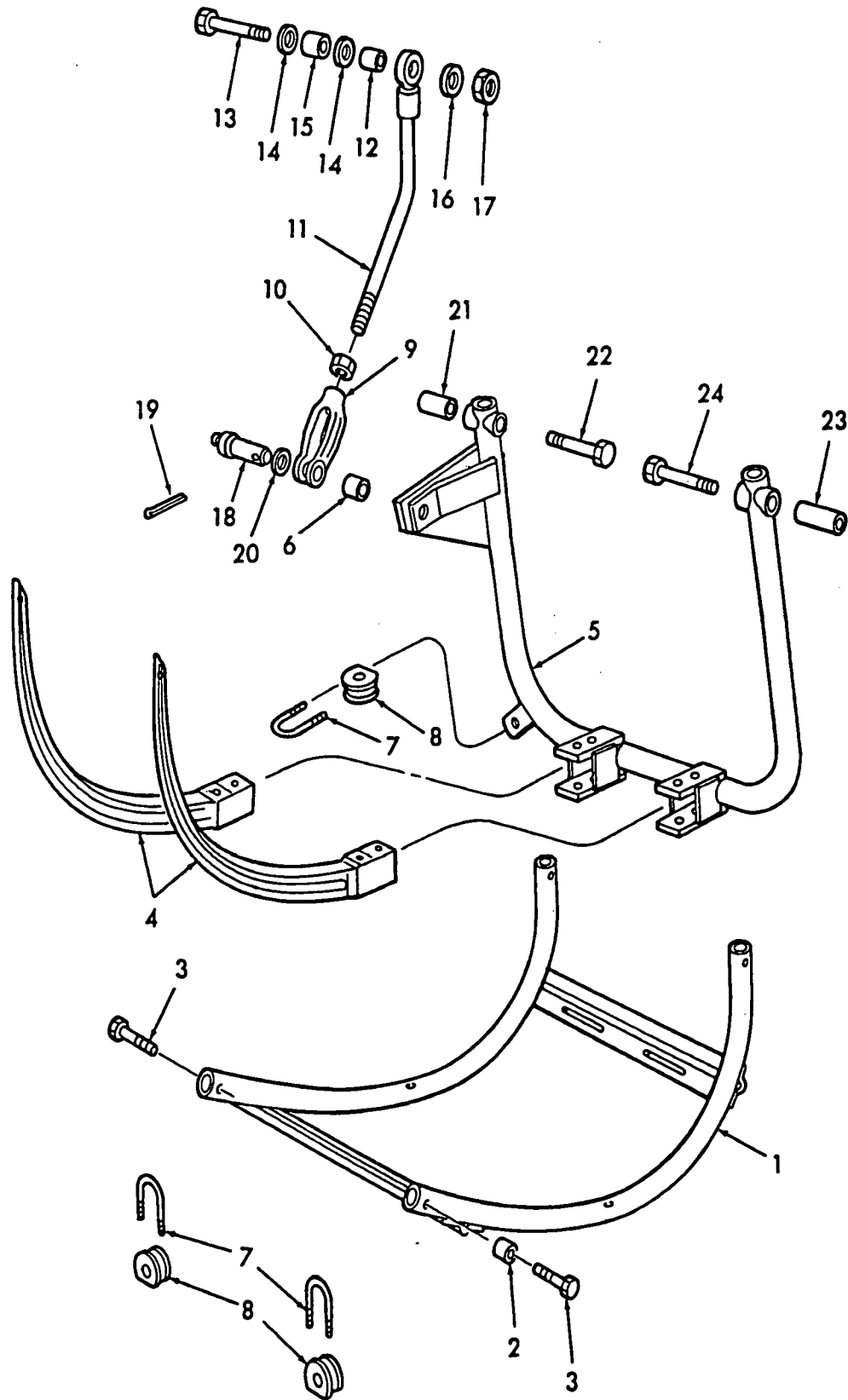
FIG. 21 - PLUNGER

REF	FN	PART NUMBER	FINIS	YR/SN	QTY	DESCRIPTION
32		9615574	9615574		1 AR	Shim - 1 mm
33		9615575	9615575		1 AR	Shim - 2 mm
34		9615573	9615573		1	Spacer - 4 mm
35		848906	8848906		1	Shim
36		848541	8848541		1	Rail - Side - 1360 mm - 53.54" Lg
		120104	8120104		6	Screw - Cap - Hex Hd. - M8 x 20 mm
		322358	8322358		6	Washer - Lock - M8
37		848543	8848543		1	Rail - Plunger - R.H. - Lower - 914 mm - 35.98" Lg
		120103	8120103		6	Screw - Cap - Hex Hd. - M8 x 16 mm
		322358	8322358		6	Washer - Lock - M8
38		848539	8848539		1	Rail - R.H. - Lower 1397 mm - 55" Lg
		62196	8062196		7	Bolt - Flat Countersunk Hd. - Square Neck - M8 x 22 mm
		322358	8322358		7	Washer - Lock - M8
		100015	8100015		7	Nut - Hex - M8
39		849008	8849008		1 AR	Shim - 2 mm
		120103	8120103		6	Screw - Cap - Hex Hd. - M8 x 16 mm
		322358	8322358		6	Washer - Lock - M8
40		9604533	9604533		1 AR	Shim - 1 mm
41		849011	8849011		1	Spacer - 3.5 mm
		848489	8848489		1	Spacer - 4 mm
42		48527	8048527		2 AR	Shim - .38 mm
43		615179	8615179		2 AR	Shim - .13 mm

AR - As Required

MODEL 568 SQUARE BALER

FIG. 22 - NEEDLE AND YOKE



MODEL 568 SQUARE BALER

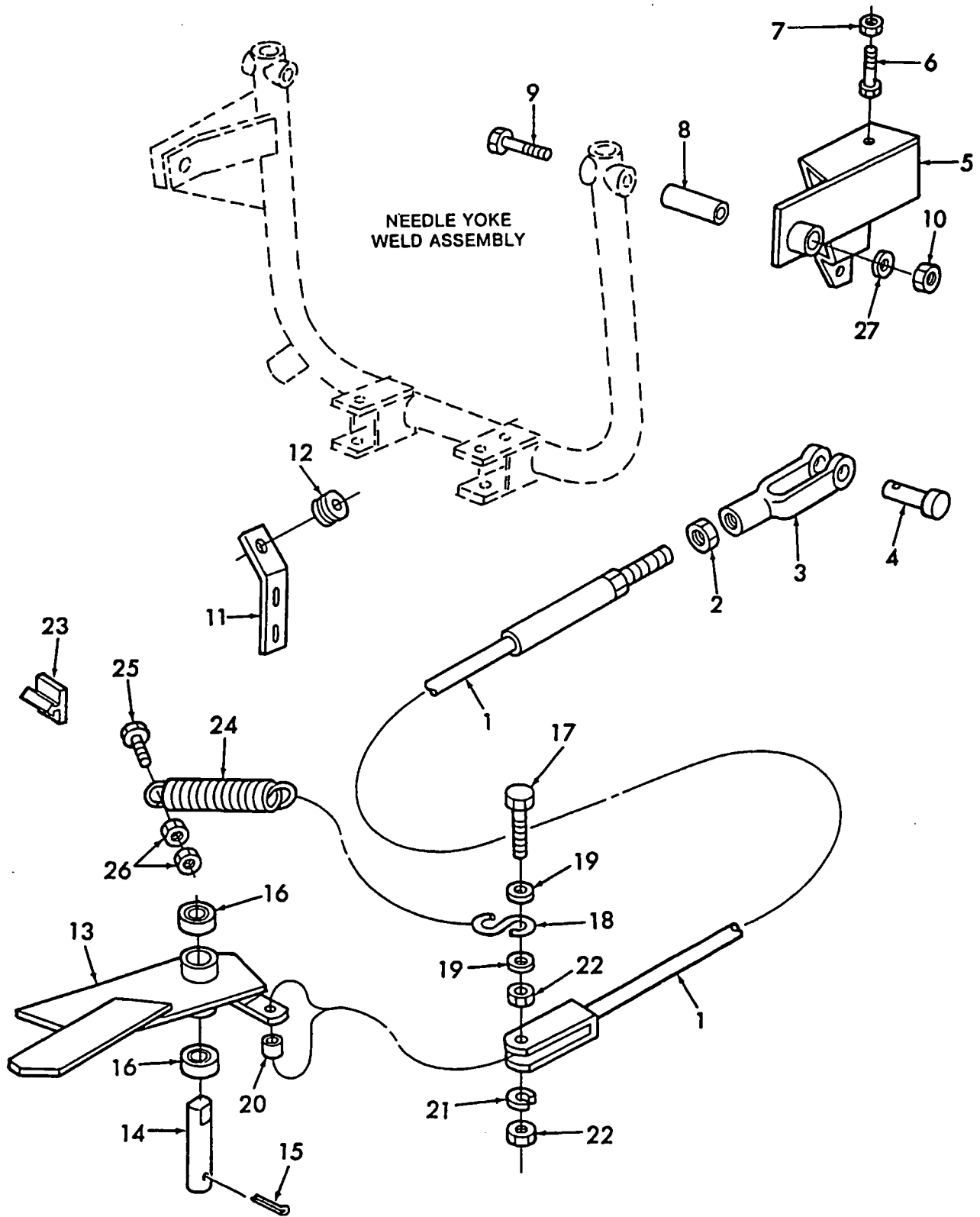
FIG. 22 - NEEDLE AND YOKE

REF	FN	PART NUMBER	FINIS	YR/SN	QTY	DESCRIPTION
1		848471	8848471		1	Needle Guard Weld Assembly
		120069	8120069		2	Screw - Cap - Hex Hd. - M10 x 50 mm
		145788	8145788		2	Washer
		100037	8100037		2	Nut - Lock - M10
2		698872	8698872		1	Spacer
3		120070	8120070		2	Screw - Cap - Hex Hd. - M10 x 60 mm
		87016	8087016		2	Washer - 3/8" SAE
		100037	8100037		2	Nut - Lock - M10
4		9618196	9618196		2	Needle, Hardened Eye
		120183	8120183		2	Screw - Cap - Hex Hd. - M12 x 90 mm
		300389	8300389		4	Screw - Cap - Hex Hd. - M12 x 35 mm
		65319	8065319		6	Washer
		100038	8100038		2	Nut - Lock - M12
5		848912	8848912		1	Needle Yoke Weld Assembly
		87569	8087569		1	Includes: 6 Fitting - Lube - Self-Tapping 25" - 28 - 45°
6		132452	8132452		1	Bushing
7		9604540	9604540		3	U-Bolt
		80707	8080707		4	Washer - 3/16"
		322357	8322357		6	Washer - Lock - M6
		100013	8100013		6	Nut - Hex - M5
8		28110	8028110		3	Guide - Twine
9		9604514	9604514		1	Clevis
10		320771	8320771		1	Nut - Jam - M20 - Fine
11		848472	8848472		1	Needle Yoke Rod Weld Assembly
		87414	8087414		1	Includes: 12 Fitting - Lube - 1/4" - 28-Self-Tapping
12		132447	8132447		1	Bushing
13		350616	8350616		1	Screw - Cap - Hex Hd. - M16 x 90 mm
14		570950	8570950		2	Washer
15		132449	8132449		1	Spacer
16		49637	8049637		1	Washer - 5/8" Special
17		100039	8100039		1	Nut - Lock - M16
18		132469	8132469		1	Pin Assembly
		87414	8087414		1	Includes: Lube Fitting Fitting - Lube - 1/4" - 28 - 90°
19		80755	8080755		1	Pin - Cotter - 1/8" x 1"
20		26382	8026382		1 AR	Washer
21		848470	8848470		1	Spacer
22		280607	8280607		1	Bolt - Short Square Neck - G5 - 5/8" x 4-1/2"
23		84910	8084910		1	Nut - Lock - GB - 5/8"
24		848469	8848469		1	Spacer
		9807008	9807008		1	Bolt - Carriage - G5 - 5/8" x 6"
		87365	8087365		1	Washer - 5/8" SAE
		84910	8084910		1	Nut - Lock - GB - 5/8"

AR - As Required

MODEL 568 SQUARE BALER

FIG. 23 - NEEDLE SAFETY LATCH



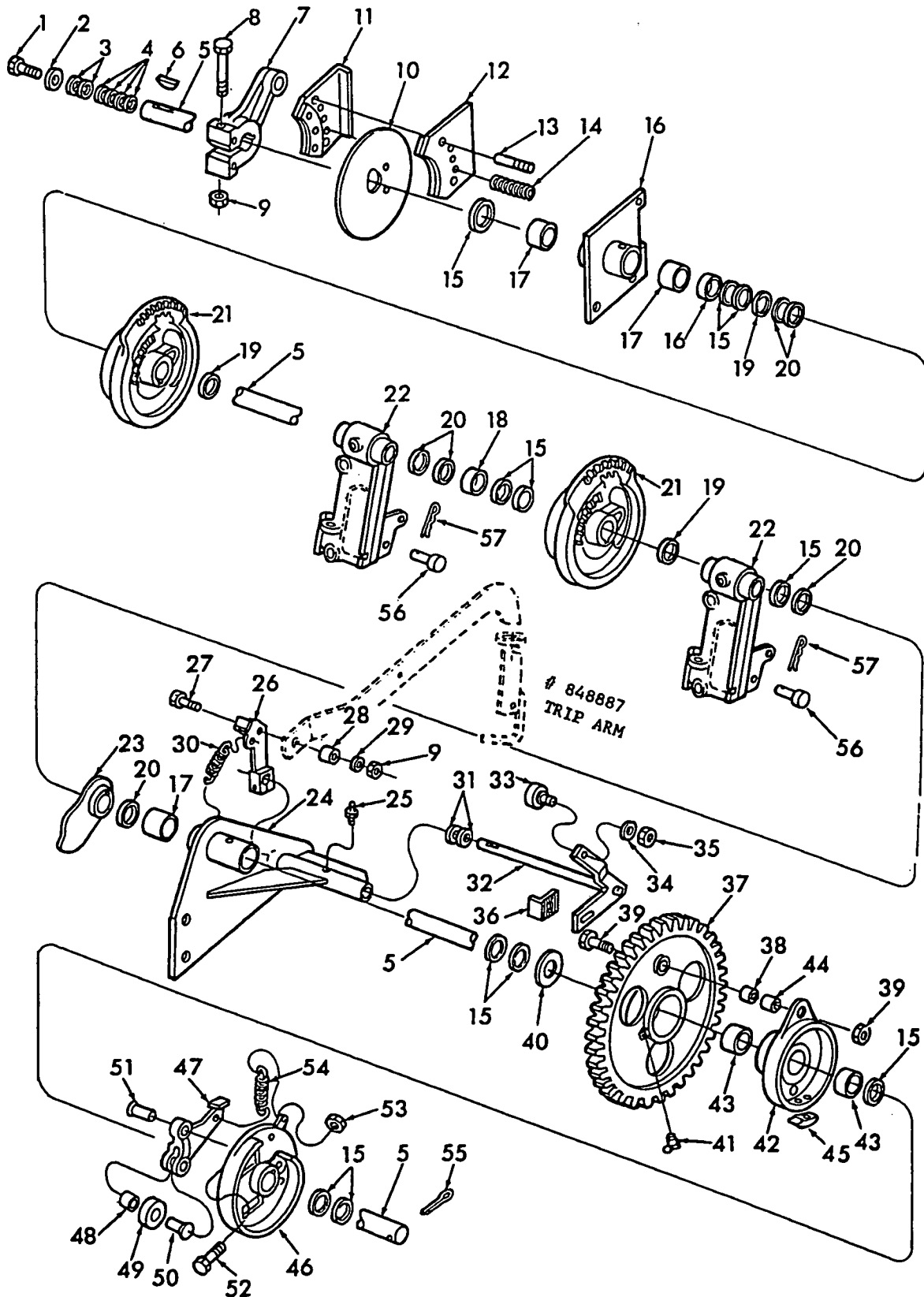
MODEL 568 SQUARE BALER

FIG. 23 - NEEDLE SAFETY LATCH

REF	FN	PART NUMBER	FINIS	YR/SN	QTY	DESCRIPTION
1		848939	8848939		1	Cable
2		87306	8087306		1	Nut - Hex - 5/16" - UNF
3		43464	8043464		1	End - Yoke - Adjustable
4		200731	8200731		1	Pin - 5/16"
		9512667	9512667		1	Pin - Cotter - M2 x 20 mm
5		848465	8848465		1	Arm Weld Assembly
		87569	8087569		2	Fitting - Lube - Self-Tapping - .25" - 28 - 45°
6		120113	8120113		1	Screw - Cap - Hex Hd. - M10 x 50 mm
7		100016	8100016		1	Nut - Hex - M10
8		848469	8848469		1	Spacer
9		9807008	9807008		1	Bolt - Carriage - GR 5 - 5/8" x 6"
10		84910	8084910		1	Nut - Lock - GR B - 5/8"
11		848783	8848783		1	Mount - Guide
		120111	8120111		1	Screw - Cap - Hex Hd. - M10 x 30 mm
		140045	8140045		1	Washer - Lock - M10
		100016	8100016		1	Nut - Hex - M10
12		222003	8222003		1	Guide
		9604540	9604540		1	U-Bolt
		322357	8322357		2	Washer - Lock - M6
		100013	8100013		2	Nut - Hex - M5
13		848451	8848451		1	Latch Weld Assembly Includes: 16
14		576220	8576220		1	Pin
		87415	8087415		1	Fitting - Lube - 1/4" - 28 - 90°
15		87400	8087400		1	Pin - Cotter - 3/16" x 2"
16		121189	8121189		2	Seal
17		412295	8412295		1	Screw - Cap - Hex Hd. - M10 x 50 mm
18		34455	8034455		1	S-Hook
19		87016	8087016		2	Washer - 3/8" SAE
20		626698	8626698		1	Spacer
21		140045	8140045		1	Washer - Lock - M10
22		100016	8100016		2	Nut - Hex - M10
23		216328	8216328		1	Block - Bumper
24		36267	8036267		1	Spring
25		120068	8120068		1	Screw - Cap - Hex Hd. - M10 x 40 mm
26		100016	8100016		2	Nut - Hex - M10
27		87365	8087365		1	Washer - 5/8" SAE

MODEL 568 SQUARE BALER

FIG. 24 - KNOTTER ASSEMBLY



MODEL 568 SQUARE BALER

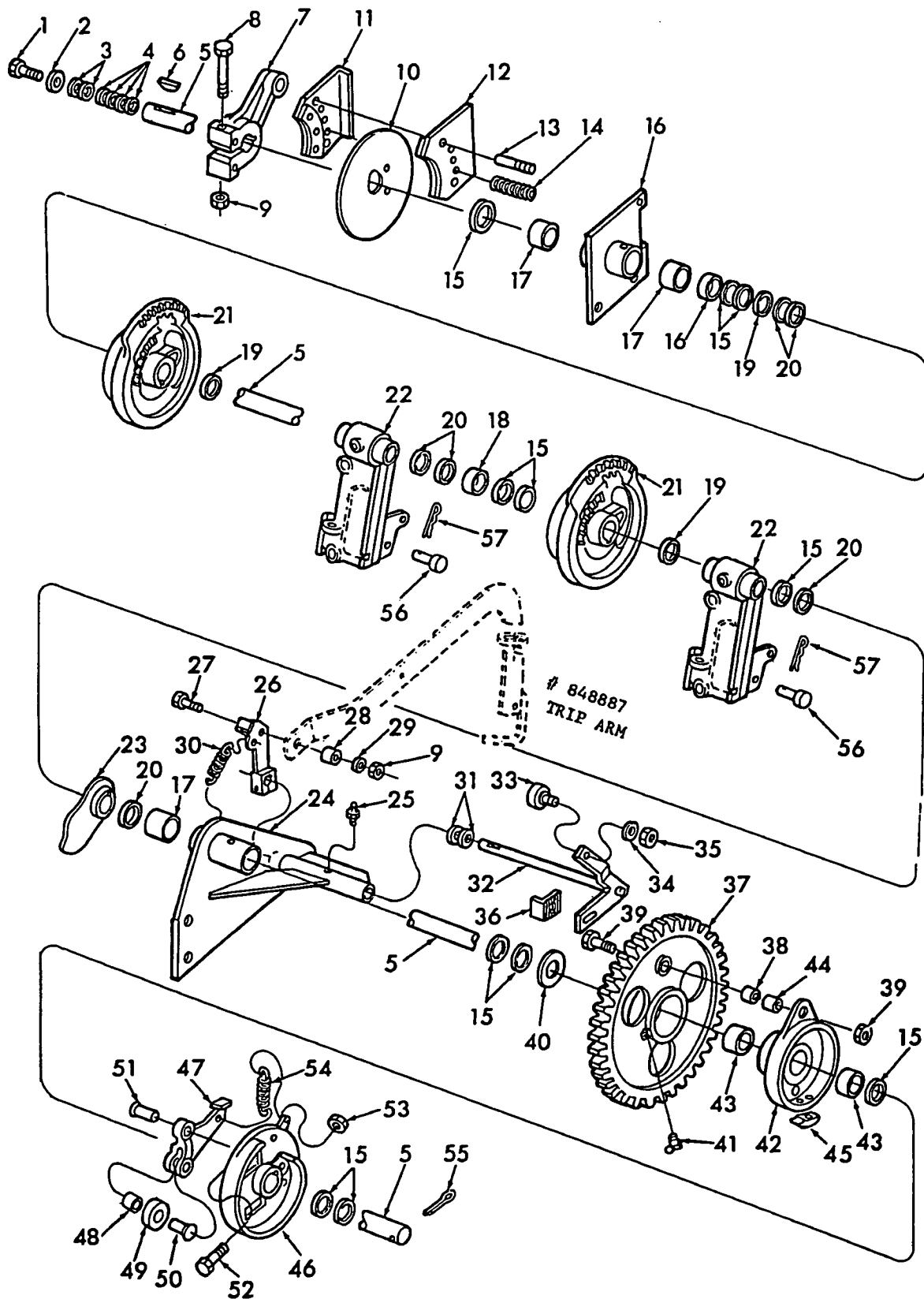
FIG. 24 - KNOTTER ASSEMBLY

REF	FN	PART NUMBER	FINIS	YR/SN	QTY	DESCRIPTION
		848798	8848798		1	Knotter Shaft Assembly Includes: 1-57
1		120104	8120104		1	Screw - Cap - Hex Hd. - M8 x 20 mm
2		264198	8264198		1	Washer
3		80664	8080664		2 AR	Washer - 5/16"
4		29046	8029046		4 AR	Washer
5		848670	8848670		1	Shaft - Knotter
6		80765	8080765		1	Key - Woodruff - 1/4" x 1-1/8"
7		848664	8848664		1	Arm - Knotter
		120103	8120103		2	Screw - Cap - Hex Hd. - M8 x 16 mm
		322358	8322358		2	Washer - Lock - M8
8		120073	8120073		1	Screw - Cap - Hex Hd. - M10 x 80 mm
9		100037	8100037		1	Nut - Lock - M10
10		602702	8602702		1	Disc - Brake
11		791788	8791788		1	Brake Shoe Assembly
12		791787	8791787		1	Brake Shoe Assembly
13		536883	8536883		2	Pin
		87016	8087016		1	Washer - 3/8"
		354720	8354720		4	Nut - Jam - M10
14		128383	8128383		2	Spring
		120205	8120205		2	Screw - Cap - Hex Hd. - CL8.8 - M6 x 70 mm
		353308	8353308		2	Nut - Lock - M6
15		00672	8000672		11 AR	Washer
16		849102	8849102		1	Bearing Weld Assembly - R.H. Includes: 17
17		87414	8087414		1	Fitting - Lube - .25" - 28 - Self-Tapping
18		28280	8028280		4	Bushing
		634037	8634037		2	Spacer
19		00674	8000674		3 AR	Washer
20		00673	8000673		6 AR	Washer
21		645744	8645744		2	Kit - Cam Gear Includes: Bill Hook Pinion & Worm Pinion
22		80765	8080765		2	Key - Woodruff 1/4" x 1-1/8"
		9801645	9801645		2	Knotter Frame Assembly - Refer to Contents for Component Breakdown
23		849368	8849368		1	Cam - Twine Finger
		88214	8088214		1	Key - Woodruff - 1/4" x 3/4"
24		849010	8849010		1	Support Weld Assembly - L.H. Includes: 17
		87414	8087414		1	Fitting - Lube - .25" - 28 - Self-Tapping
		120058	8120058		1	Screw - Cap - Hex Hd. - M8 x 30 mm
		100015	8100015		2	Nut - Hex - M8
25		87414	8087414		1	Fitting - Lube Straight .25" - 28
26		848880	8848880		1	Trip Lever Weld Assembly
		170004	8170004		1	Key - Woodruff - M4 x 6.5 mm
		120060	8120060		1	Screw - Cap - Hex Hd. - M8 x 50 mm
		322358	8322358		1	Washer - Lock - M8
		100015	8100015		1	Nut - Hex - M8
27		120111	8120111		1	Screw - Cap - Hex Hd. - M10 x 30 mm
28		211521	8211521		1	Spacer

AR - As Required

MODEL 568 SQUARE BALER

FIG. 24 - KNOTTER ASSEMBLY



MODEL 568 SQUARE BALER

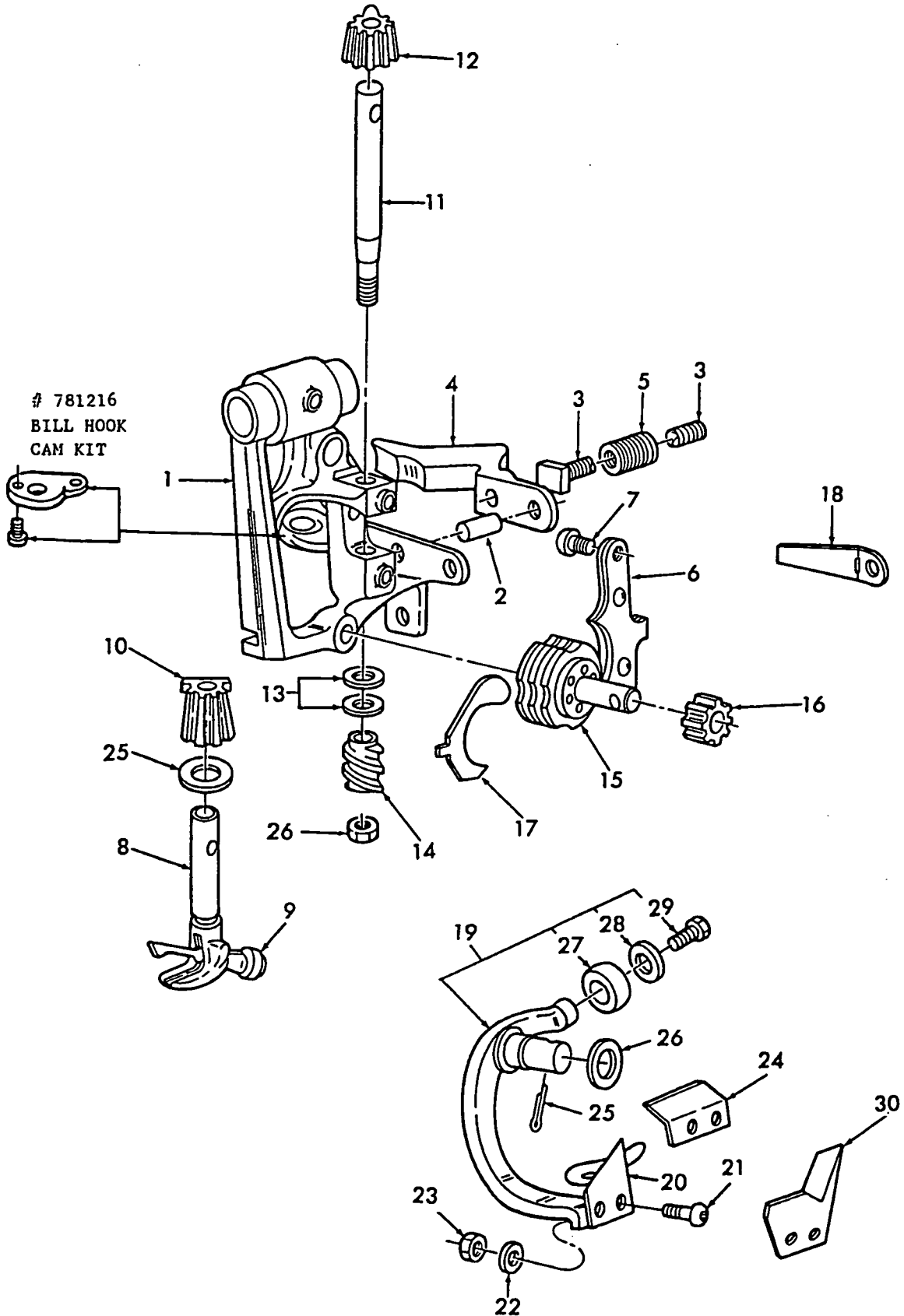
FIG. 24 - KNOTTER ASSEMBLY

REF	FN	PART NUMBER	FINIS	YR/SN	QTY	DESCRIPTION
29		87016	8087016		1	Washer - 3/8"
30		42427	8042427		1	Spring
31		140090	8140090		2	Washer
32		848883	8848883		1	Knotter Trip Weld Assembly
33		36800	8036800		1	Bearing - Cam Roller
34		285072	8285072		1	Washer - Heat Treated
35		84950	8084950		1	Nut - Hex - 3/8" - UNF
36		166244	8166244		1	Stop
		120058	8120058		1	Screw - Cap - Hex Hd. - M8 x 30 mm
		285072	8285072		2	Washer
		100067	8100067		1	Nut - Lock - M8
37		848596	8848596		1	Gear - 39T Includes: 38
38		58148	8058148		1	Sleeve - Shear Bolt
39		58118	8058118		1	Bolt - Shear w/Nut
40		25097	8025097		1	Washer
41		87569	8087569		1	Fitting - Lube - .25" - 28 - 45°
42		848849	8848849		1	Clutch Hub Assembly Includes: 43 & 44
		84443	8084443		1	Bolt - Machine - Square Hd. - 3/8" x 3/4"
		80680	8080680		1	Washer - Lock - 3/8"
		84944	8084944		1	Nut - Hex - 3/8"
43		44775	8044775		2	Bushing
44		58147	8058147		1	Sleeve - Shear Bolt
45		536888	8536888		1	Latch
		323625	8323625		1	Bolt - M10 x 20 mm
		140045	8140045		1	Washer - Lock M10
46		848852	8848852		1	Knotter Clutch Assembly Includes: 47-51
		80765	8080765		1	Key - Woodruff - 1/4" x 1-1/8"
47		763541	8763541		1	Knotter Pawl Assembly Includes: 48-50
48		228681	8228681		1	Spacer
49		139881	8139881		1	Roller
50		617446	8617446		1	Rivet
51		617445	8617445		1	Pin
52		120082	8120082		1	Screw - Cap - Hex Hd. - M12 x 60 mm
53		100038	8100038		1	Nut - Lock - M12
54		18	8000018		1	Spring - Safety Hook
55		130011	8130011		1	Pin - Cotter - M5 x 40 mm
56		710230	8710230		2	Rivet - Drilled - 3/8" x 1"
57		216698	8216698		2	Cotter - Hairpin
		638350	8638350		AR	Tool - Knife Arm - Used for Adjusting Knife Arm

AR - As Required

MODEL 568 SQUARE BALER

FIG. 25 - KNOTTER FRAME ASSEMBLY



MODEL 568 SQUARE BALER

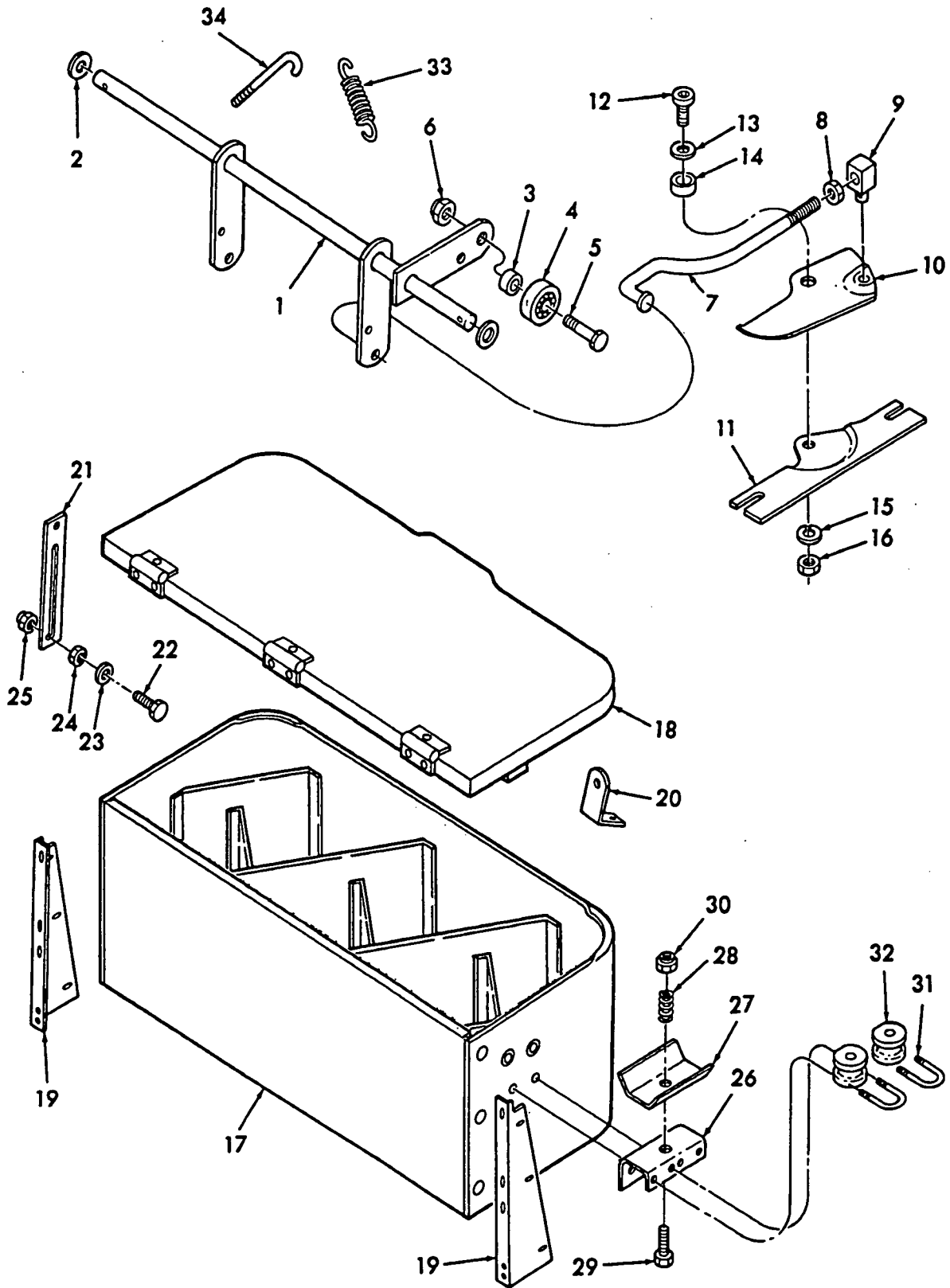
FIG. 25 - KNOTTER FRAME ASSEMBLY

REF	FN	PART NUMBER	FINIS	YR/SN	QTY	DESCRIPTION
1		9801645	9801645		2	Knotter Frame Assembly Includes: 1-29 & 796734 #8
		9801646	9801646		2	Frame - Knotter Includes: 781216 Cam Kit & 2 & 31
		87415	8087415		6	Fitting - Lube - 1/4" x 90°
		87414	8087414		8	Fitting - Lube - 1/4" - Straight
		80757	8080757		2	Pin - Cotter - 1/8" x 7/8"
		781216	8781216		AR	Kit - Bill Hook Cam Includes: (1) 767388 Cap Screw - #6 x 1/2"
2		11106	8011106		2	Pin
3		39170	8039170		2	Screw - Adjusting - 5/16" x 2-5/8"
		87463	8087463		2	Nut - Pal - 5/16"
4		795117	8795117		2	Hook - Knotter
5		11104	8011104		2	Spring
6		163056	8163056		2	Twine Holder Assembly
7		9820351	9820351		2	Screw - Cap - Hex Socket - Button Hd. - Special
	8	796734	8796734		2	Bill Hook Assembly - Steel Roller Plastic Twine Includes: 9 & Groove Pin
9		854819	8854819		2	Bill Hook Assembly - Steel Roller Sisal Twine Includes: 9 & Groove Pin
		796738	8796738		2	Tongue Assembly
	784746	8784746		2	Pin - Groove - 3/16" x 1/2"	
10		620683	8620683		2	Pinion - Bill Hook
11		11824	8011824		2	Shaft - Pinion
12		11108	8011108		2	Worm - Pinion
13		11117	8011117		AR	Washer - Special - 1/16" - Thick - 1.588 mm
		9820487	9820487		AR	Washer - Special - 1/32" - Thick - .794 mm
14		11841	8011841		2	Worm - Knotter
15		64564	8064564		2	Disc Assembly
16		11840	8011840		2	Pinion - Twine Disc
		80837	8080837		2	Pin - Groove - 3/16" x 7/8"
17		39224	8039224		4	Disc - Cleaner
18		11109	8011109		2	Spring - Tension
		88434	8088434		2	Screw - Cap - Hex Hd. - G5 - 3/8" x 3/4"
19		603728	8603728		2	Kit - Knife Arm Includes: 20-29
	20	615073	8615073		2	Kit - Knife Standard Includes: 21-23
21		88637	8088637		2	Screw - Cap - Hex Socket - Button Hd. - #8 x 1/2"
	22	87812	8087812		2	Washer - Lock - #8
23		87653	8087653		2	Nut - #8
24		612244	8612244		2	Guide
25		80757	8080757		2	Pin - Cotter - 1/8" x 7/8"
26		187426	8187426		AR	Shim - .015" - .38 mm
		195903	8195903		AR	Shim - .025" - .64 mm
27		00146	8000146		2	Roller - Knife Arm
28		179141	8179141		2	Washer
29		88769	8088769		2	Screw - Cap - Hex Socket - Button Hd. - 1/4" x 1/2"
	30	11839	8011839		2	Knife - Optional

AR - As Required

MODEL 568 SQUARE BALER

FIG. 26 - TWINE FINGER, LEVER AND TWINE BOX



MODEL 568 SQUARE BALER

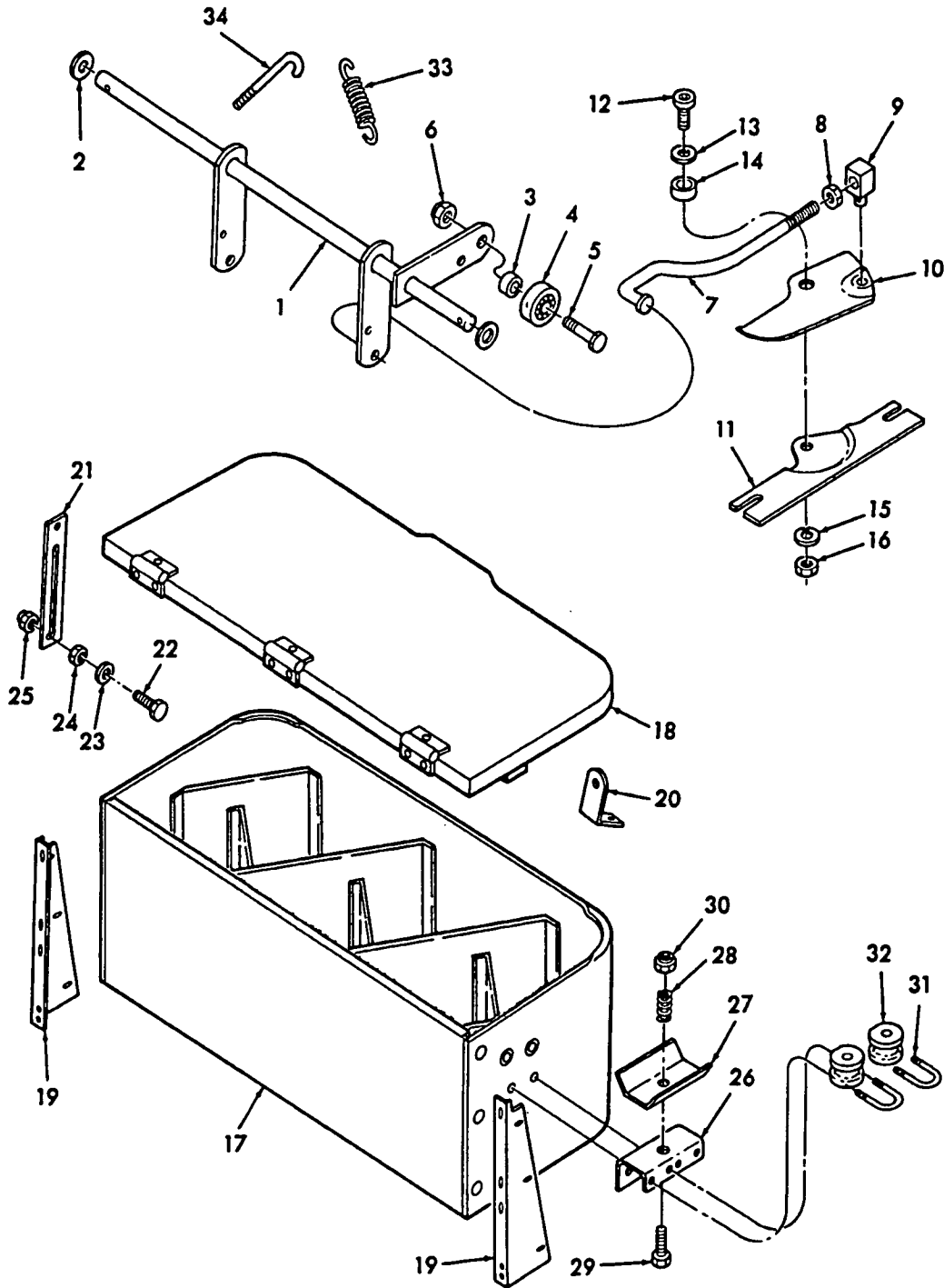
FIG. 26 - TWINE FINGER, LEVER AND TWINE BOX

REF	FN	PART NUMBER	FINIS	YR/SN	QTY	DESCRIPTION
1		849383	8849383		1	Lever Weld Assembly
		80755	8080755		2	Pin - Cotter - 1/8" x 1"
2		26382	8026382		2 AR	Washer
		27697	8027697		2 AR	Washer
3		854963	8854963		1	Spacer
4		9604557	9604557		1	Bearing
5		120068	8120068		1	Screw - Cap - Hex Hd. - M10 x 40 mm
6		100037	8100037		1	Nut - Lock - M10
7		9604535	9604535		2	Link - Twine Finger
		80756	8080756		2 AR	Pin - Cotter - 1/8" x 3/4"
8		100015	8100015		2	Nut - Hex - M8
9		00414	8000414		2	Block - Adjustment
		80756	8080756		2	Pin - Cotter - 1/8" x 3/4"
10		265119	8265119		2	Finger - Twine
11		126961	8126961		2	Mount - Finger
		120037	8120037		4	Bolt - Carriage - M8 x 20
		322358	8322358		4	Washer - Lock - M8
		100015	8100015		4	Nut - M8
12		380425	8380425		2	Screw - Hex Socket Hd. - M10 x 20 mm
13		87016	8087016		2	Washer - 3/8" SAE
14		185140	8185140		2	Spacer
15		140045	8140045		2	Washer - Lock - M10
16		100016	8100016		2	Nut - Hex - M10
17		778072	8778072		1	Twine Box Weld Assembly
18		778071	8778071		1	Twine Box Lid Weld Assembly
		523291	8523291		6	Screw - Self-Locking - Hex Washer Hd. - USR - 1/4" x 1/2"
		42576	8042576		3	Nut - Speed - Twin Type
19		9604395	9604395		2	Support
		120104	8120104		6	Screw - Cap - Hex Hd. - M8 x 20 mm
		120037	8120037		4	Bolt - Carriage - M8 x 20 mm
		87362	8087362		6	Washer - 5/16" SAE
		322358	8322358		10	Washer - Lock - M8
		100015	8100015		10	Nut - Hex - M8
20		9809441	9809441			Brace
		120111	8120111		2	Screw - Cap - Hex Hd. - M10 x 30 mm
		87016	8087016		2	Washer - 3/8" SAE
		140045	8140045		2	Washer - Lock - M10
		100016	8100016		2	Nut - Hex - M10
21		229241	8229241		1	Latch
		120104	8120104		1	Screw - Cap - Hex Hd. - M8 x 20 mm
		100067	8100067		1	Nut - Lock - M8
22		120058	8120058		1	Screw - Cap - Hex Hd. - M8 x 30 mm
23		87362	8087362		1	Washer - 5/16" SAE
24		100097	8100097		1	Nut - Jam - M8
25		100067	8100067		1	Nut - Lock - M8
26		188994	8188994		1	Base - Twine Guide
		120099	8120099		2	Screw - Cap - Hex Hd. - M6 x 16 mm
		100014	8100014		2	Nut - Hex - M6
27		40971	8040971		1	Clamp - Twine
28		00025	8000025		1	Spring
29		120055	8120055		1	Screw - Cap - Hex Hd. - M6 x 40 mm

AR - As Required

MODEL 568 SQUARE BALER

FIG. 26 - TWINE FINGER, LEVER AND TWINE BOX



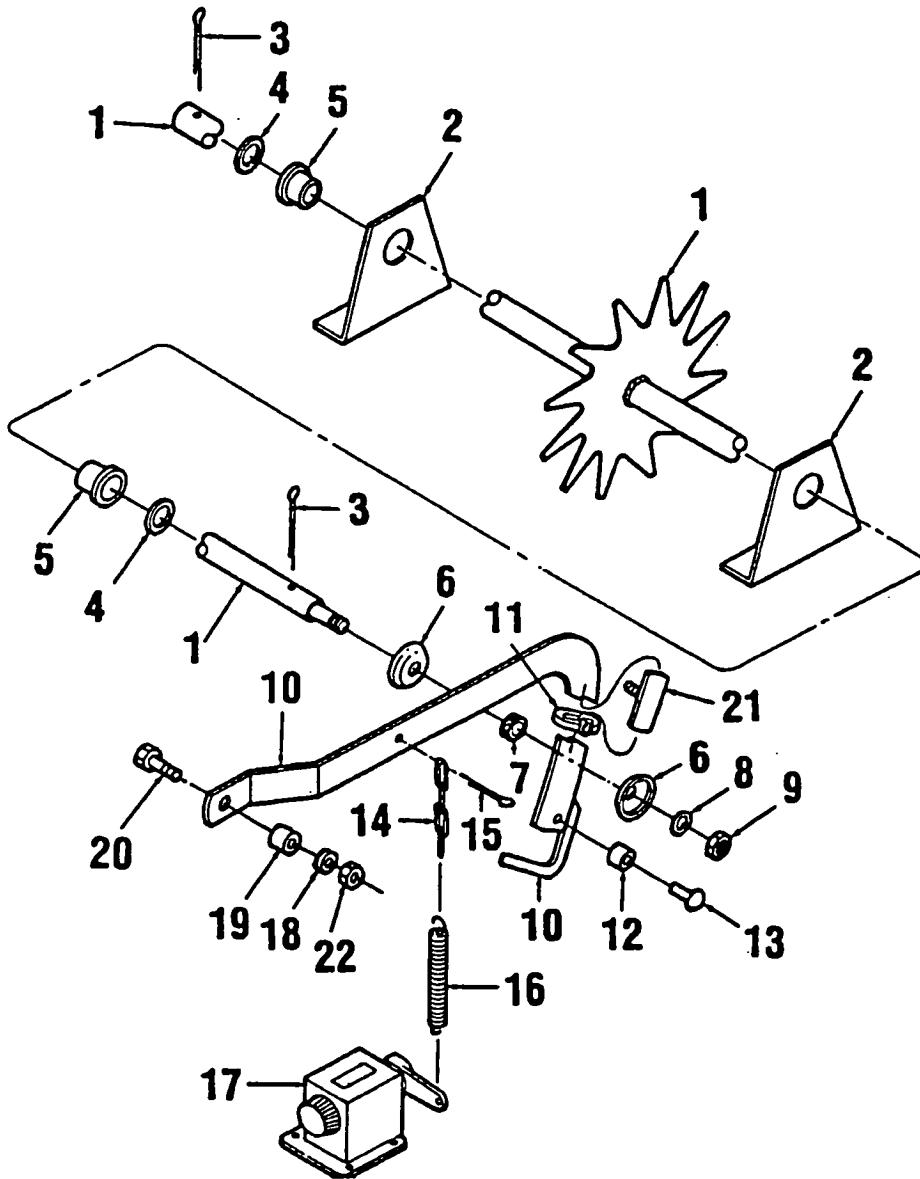
MODEL 568 SQUARE BALER

FIG. 26 - TWINE FINGER, LEVER AND TWINE BOX

REF	FN	PART NUMBER	FINIS	YR/SN	QTY	DESCRIPTION
30		353308	8353308		1	Nut - Lock - M6
31		9604540	9604540		2	U-Bolt
		322357	8322357		4	Washer - Lock - M6
		100013	8100013		4	Nut - Hex - M5
32		28110	8028110		2	Guide - Twine
33		29579	8029579		1	Spring
		120106	8120106		1	Screw - Cap - Hex Hd. - M8 x 40 mm
		100015	8100015		2	Nut - Hex - M8
34		359726	8359726		1	J-Bolt
		100014	8100014		2	Nut - Hex - M6

MODEL 568 SQUARE BALER

FIG. 27 - METERING WHEEL



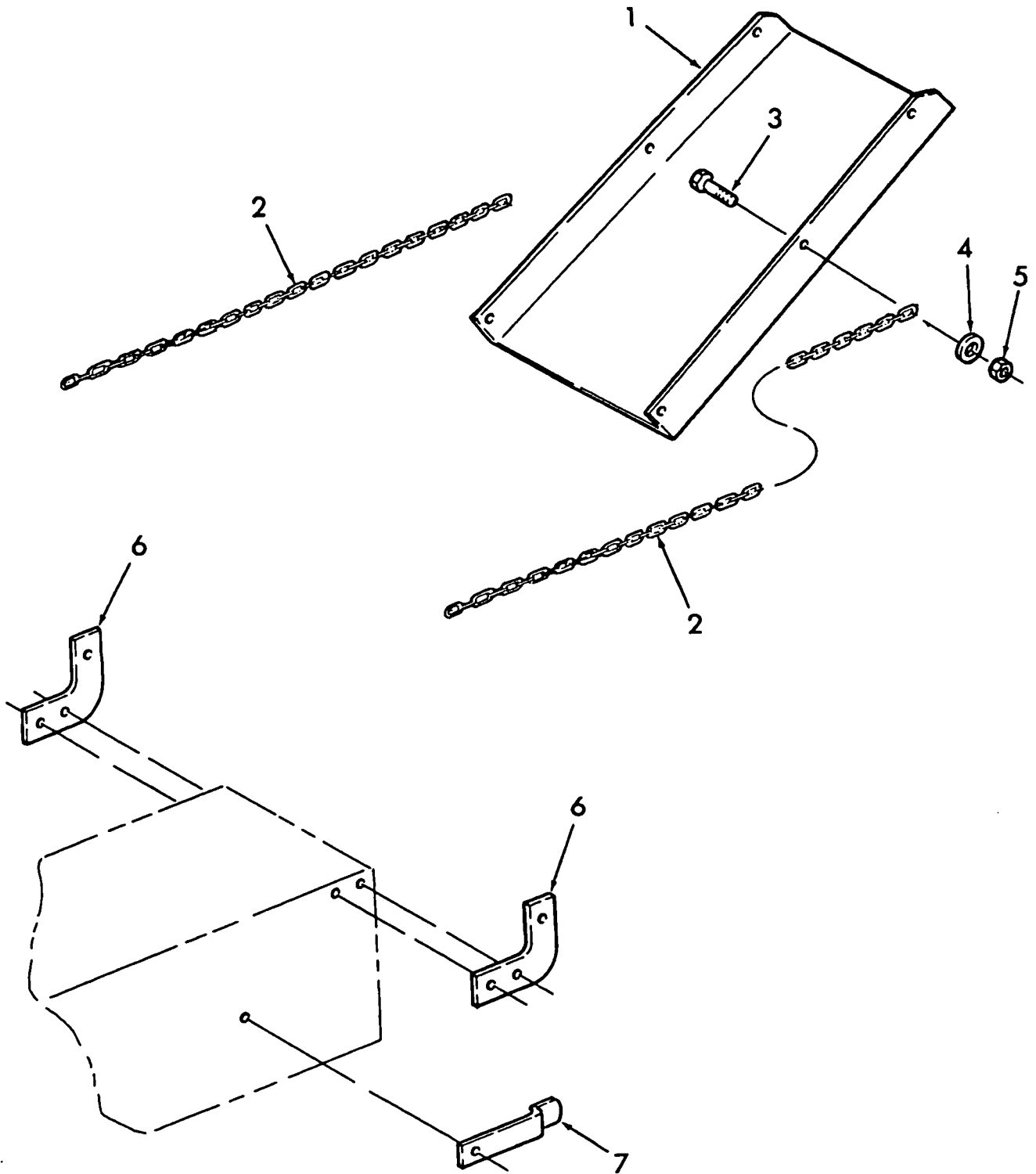
MODEL 568 SQUARE BALER

FIG. 27 - METERING WHEEL

REF	FN	PART NUMBER	FINIS	YR/SN	QTY	DESCRIPTION
1		9604528	9604528		1	Metering Wheel Weld Assembly
2		536323	8536323		2	Support - Bearing
		120041	8120041		4	Bolt - Carriage - M10 x 20 mm
		140045	8140045		4	Washer - Lock - M10
		100016	8100016		4	Nut - Hex - M10
3		80755	8080755		2	Pin - Cotter - 1/8" x 1"
4		87365	8087365		2	Washer - 5/8" SAE
5		44806	8044806		2	Bearing
6		39725	8039725		2	Cup
7		41521	8041521		1	Disc
8		140045	8140045		1	Washer - Lock - M10
9		100016	8100016		1	Nut - Hex - M10
10		848887	8848887		1	Trip Arm Weld Assembly
11		448796	8448796		1	Stop
12		42371	8042371		1	Spacer
13		87587	8087587		1	Rivet - Button Hd. - 1/4" x 7/8"
14		197559	8197559		1	Chain
15		87019	8087019		1	Pin - Cotter - 3/16" x 3/4"
16		197717	8197717		1	Spring - Extension
17		26995	8026995		1	Counter - Four Figure
18		87016	8087016		1	Washer - 3/8"
19		211521	8211521		1	Spacer
20		120111	8120111		1	Screw - Cap - Hex Hd. - M10 x 30 mm
21		9618232	9618232		1	Handle Weld Assembly
		100015	8100015		1	Nut - Hex - M8
22		100037	8100037		1	Nut - Lock - M10

MODEL 568 SQUARE BALER

FIG. 28 - BALE CHUTE



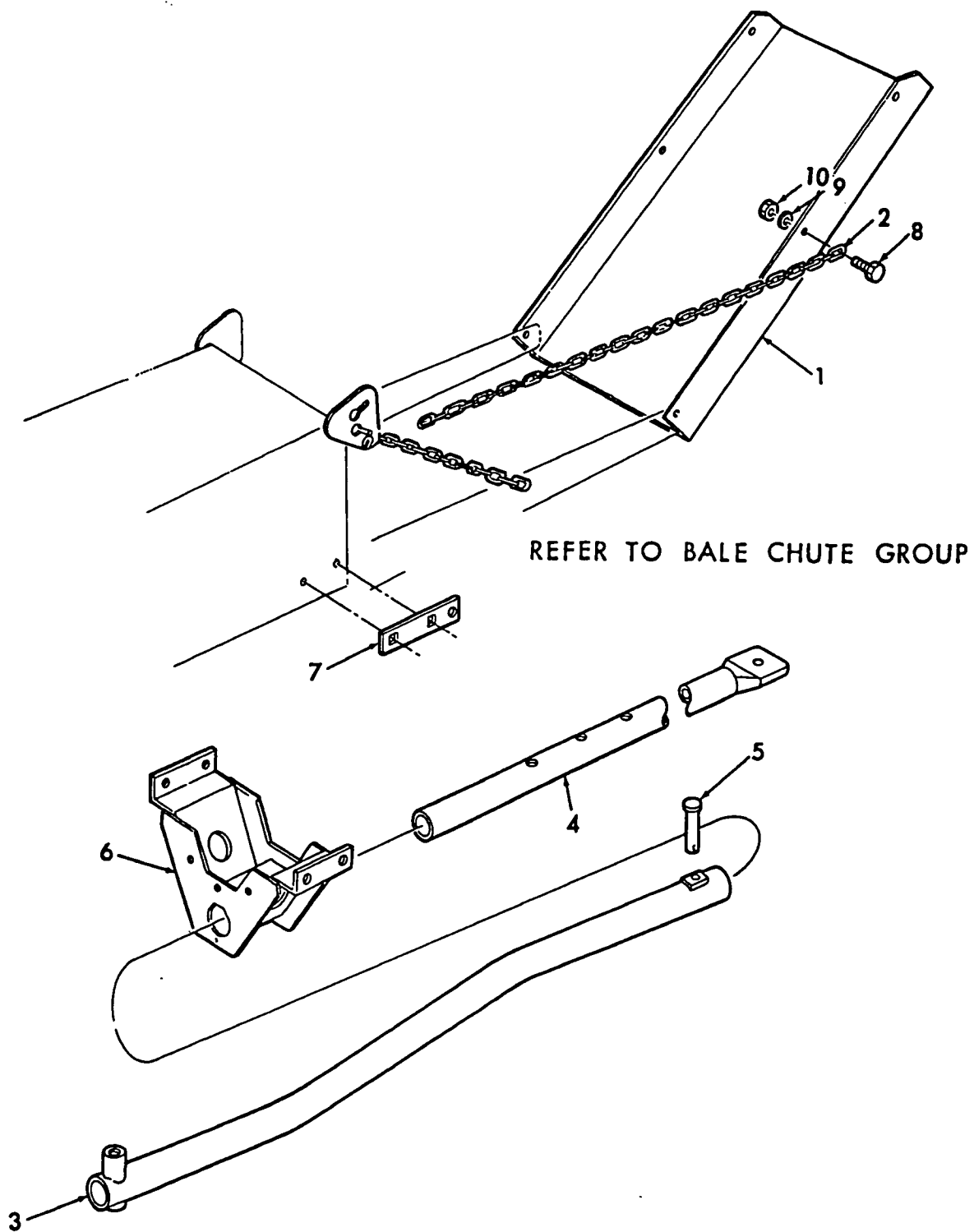
MODEL 568 SQUARE BALER

FIG. 28 - BALE CHUTE

REF	FN	PART NUMBER	FINIS	YR/SN	QTY	DESCRIPTION
1		777952	8777952		1	Bale Chute Weld Assembly - 37" Lg
2		264035	8264035		2	Chain
3		120111	8120111		2	Screw - Cap - Hex Hd. - CL8.8 - M10 x 30 mm
4		80702	8080702		8	Washer - 3/8"
5		100037	8100037		8	Nut - Lock - M10
6		9804885	9804885		2	Support
		120245	8120245		4	Bolt - Carriage - CL8.8 - M10 x 30 mm
		100037	8100037		4	Nut - Lock - M10
7		9804884	9804884		1	Latch
		120037	8120037		1	Bolt - Carriage - M8 x 20 mm
		322358	8322358		1	Washer - Lock - M8
		100015	8100015		1	Nut - M8

MODEL 568 SQUARE BALER

FIG. 29 - WAGON HITCH AND BALE LOADING CHUTE KIT



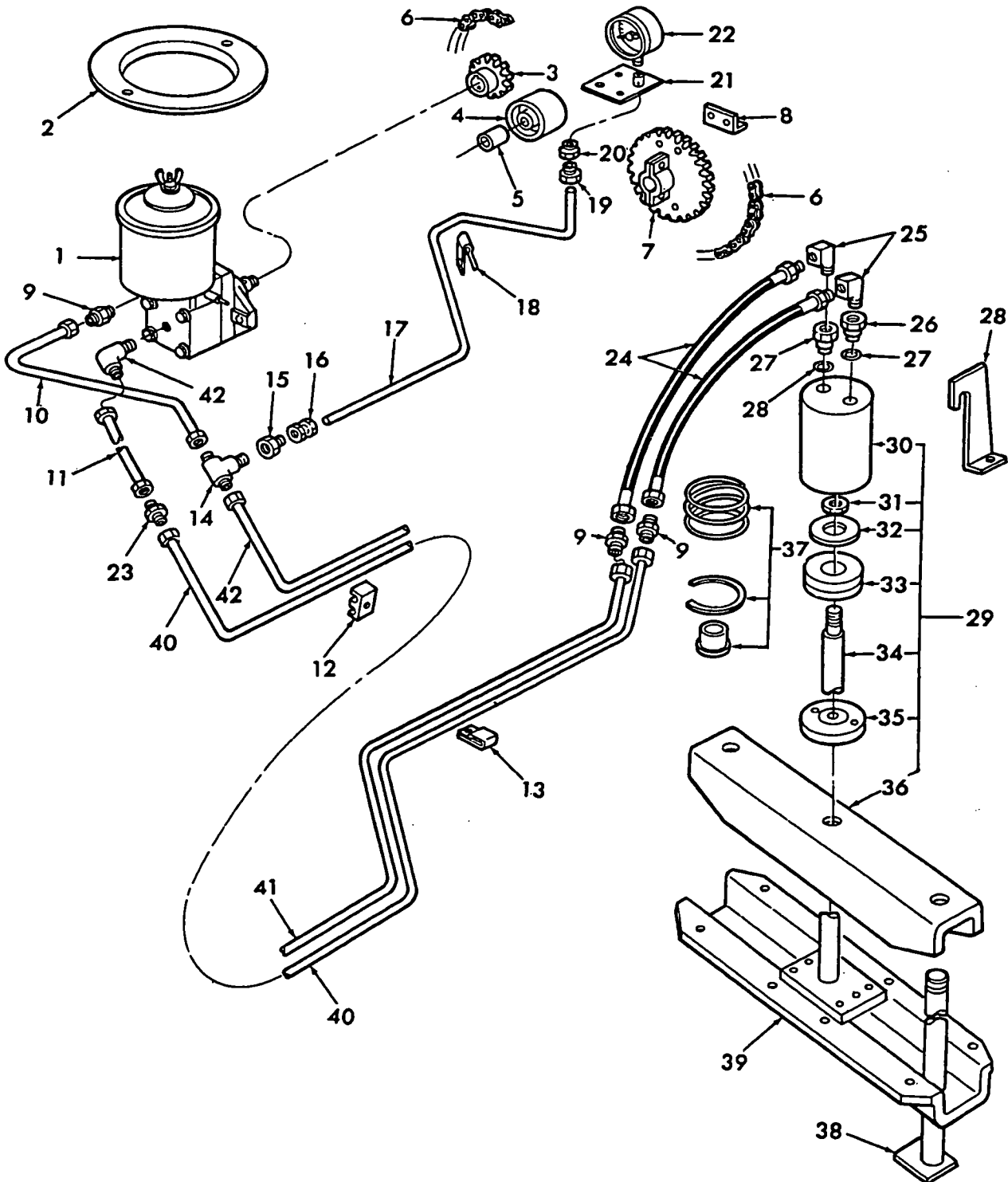
MODEL 568 SQUARE BALER

FIG. 29 - WAGON HITCH AND BALE LOADING CHUTE KIT

REF	FN	PART NUMBER	FINIS	YR/SN	QTY	DESCRIPTION
1		38305	8038305		1	Chute - 48" Lg
		120111	8120111		2	Screw - Cap - Hex Hd. - M10 x 30 mm
		87016	8087016		2	Washer - 3/8" SAE
		100037	8100037		2	Nut - Lock - M10
2		26364	8026364		2	Chain - 60" - 1524 mm Lg
		849231	8849231		1	Pipe Weld Assembly
3		412290	8412290		1	Bolt - M20 x 180 mm
		380424	8380424		1	Nut - Lock - M20
4		9620103	9620103		1	Tongue Weld Assembly
		849233	8849233		1	Pin
5		43302	8043302		1	Cotter - Hairpin
		849242	8849242		1	Support Weld Assembly
6		120044	8120044		1	Bolt - Carriage - M12 x 30 mm
		120245	8120245		2	Bolt - Carriage - M10 x 30 mm
		100038	8100038		3	Nut - Lock - M12
		100037	8100037		2	Nut - Lock - M10
		9604394	9604394		2	Extension - Not used with Bale Throwers
		120245	8120245		4	Bolt - Carriage - M10 x 30 mm
7		120111	8120111		2	Screw - Cap - Hex Hd. - M10 x 30 mm
		100037	8100037		6	Nut - Lock - M10
		120111	8120111		2	Screw - Cap - Hex Hd. - M10 x 30 mm
8		87016	8087016		2	Washer - 3/8" SAE
		100037	8100037		2	Nut - Lock - M10
9						
10						

MODEL 568 SQUARE BALER

FIG. 30 - HYDRAFORMATIC BALE TENSION KIT



MODEL 568 SQUARE BALER

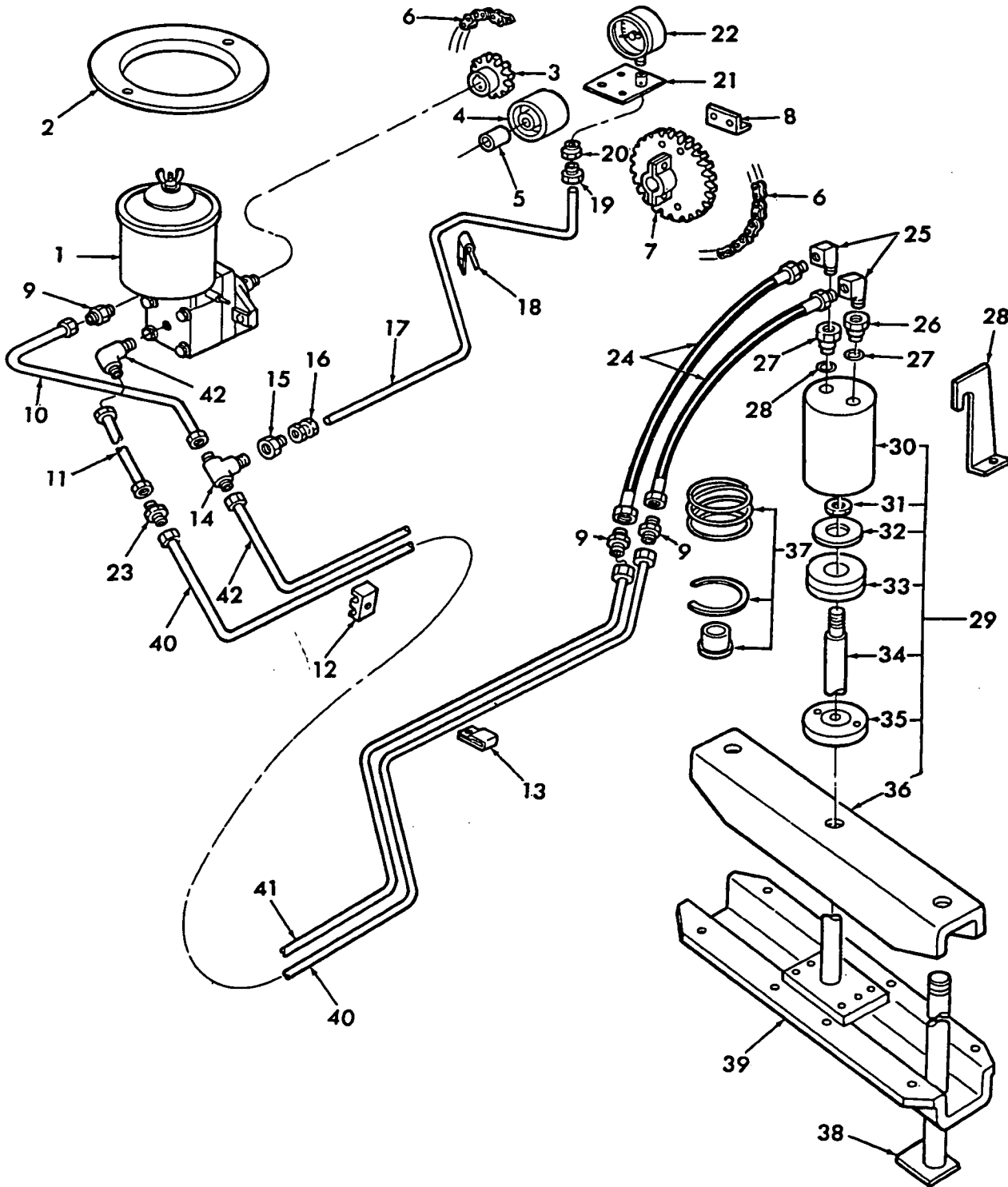
FIG. 30 - HYDRAFORMATIC BALE TENSION KIT

REF	FN	PART NUMBER	FINIS	YR/SN	QTY	DESCRIPTION
1		703197	8703197		1	Pump - Hydraulic - Refer to Contents for Separate Breakdown
		88434	8088434		2	Screw - Cap - Hex Hd. - G5 - 3/8" x 3/4"
		80680	8080680		2	Washer - Lock - 3/8"
2		639503	8639503		1	Cover
		120100	8120100		2	Screw - Cap - Hex Hd. - M6 x 20 mm
		322357	8322357		2	Washer - Lock - M6
3		44316	8044316		1	Sprocket - 11T
		88406	8088406		1	Key - Woodruff - 3/16" x 5/8"
		80430	8080430		2	Screw - Set - Hex Socket - C.P. - 1/4" x 1/4"
		300662	8300662		1	Bolt - Carriage - M12 x 80 mm
		140046	8140046		1	Washer - Lock - M12
		337475	8337475		1	Nut - Hex - M12
		88130	8088130		1	Nut - Lock - GC - 1/2"
4		678571	8678571		1	Idler
		88419	8088419		1	Bolt - Short Square Neck - G5 - 1/2" x 3-1/2"
		80679	8080679		1	Washer - Lock - 1/2"
		280431	8280431		1	Nut - Hex - 1/2"
5		48462	8048462		1	Spacer
6		849223	8849223		1	Chain - Roller - RC 41
		46234	8046234		77	Link - Regular
		44428	8044428		1	Link - Connector
7		642577	8642577		1	Sprocket Weld Assembly - 40T
		80430	8080430		1	Includes: 9 Screw - Set - Hex Socket - C.P. - 1/4" x 1/4"
		120058	8120058		2	Screw - Cap - Hex Hd. - M8 x 30 mm
		322358	8322358		2	Washer - Lock - M8
		100015	8100015		2	Nut - Hex - M8
8		642581	8642581		2	Angle
		88543	8088543		4	Screw - Cap - Hex Hd. - G5 - 5/16" x 1"
		80681	8080681		4	Washer - Lock - 5/16"
		84943	8084943		4	Nut - Hex - 5/16"
9		618179	8618179		3	Connector - Male
10		NS			1	Tube Assembly - 3/8" (9.52 mm) OD x Approx. 24.9" (632.4 mm) Lg
		514929	8514929		2	Sleeve
		514926	8514926		2	Nut
		NS			1	Tube Assembly - 3/8" (9.52 mm) OD x Approx. 23.45" (595.8 mm) Lg
		514929	8514929		2	Sleeve
		514926	8514926		2	Nut
11		NS			1	Tube Assembly - 3/8" (9.52 mm) OD x Approx. 17.3" (439.5 mm) Lg
		514929	8514929		2	Sleeve
		514926	8514926		2	Nut
		NS			1	Tube Assembly - 3/8" (9.52 mm) OD x Approx. 18.08" (459.2 mm) Lg
		514929	8514929		2	Sleeve
		514926	8514926		2	Nut

NS - Not Serviced - For Field Repairs, Refer To Ford New Holland Standard Parts Catalog For Instructions And Part Numbers.

MODEL 568 SQUARE BALER

FIG. 30 - HYDRAFORMATIC BALE TENSION KIT



MODEL 568 SQUARE BALER

FIG. 30 - HYDRAFORMATIC BALE TENSION KIT

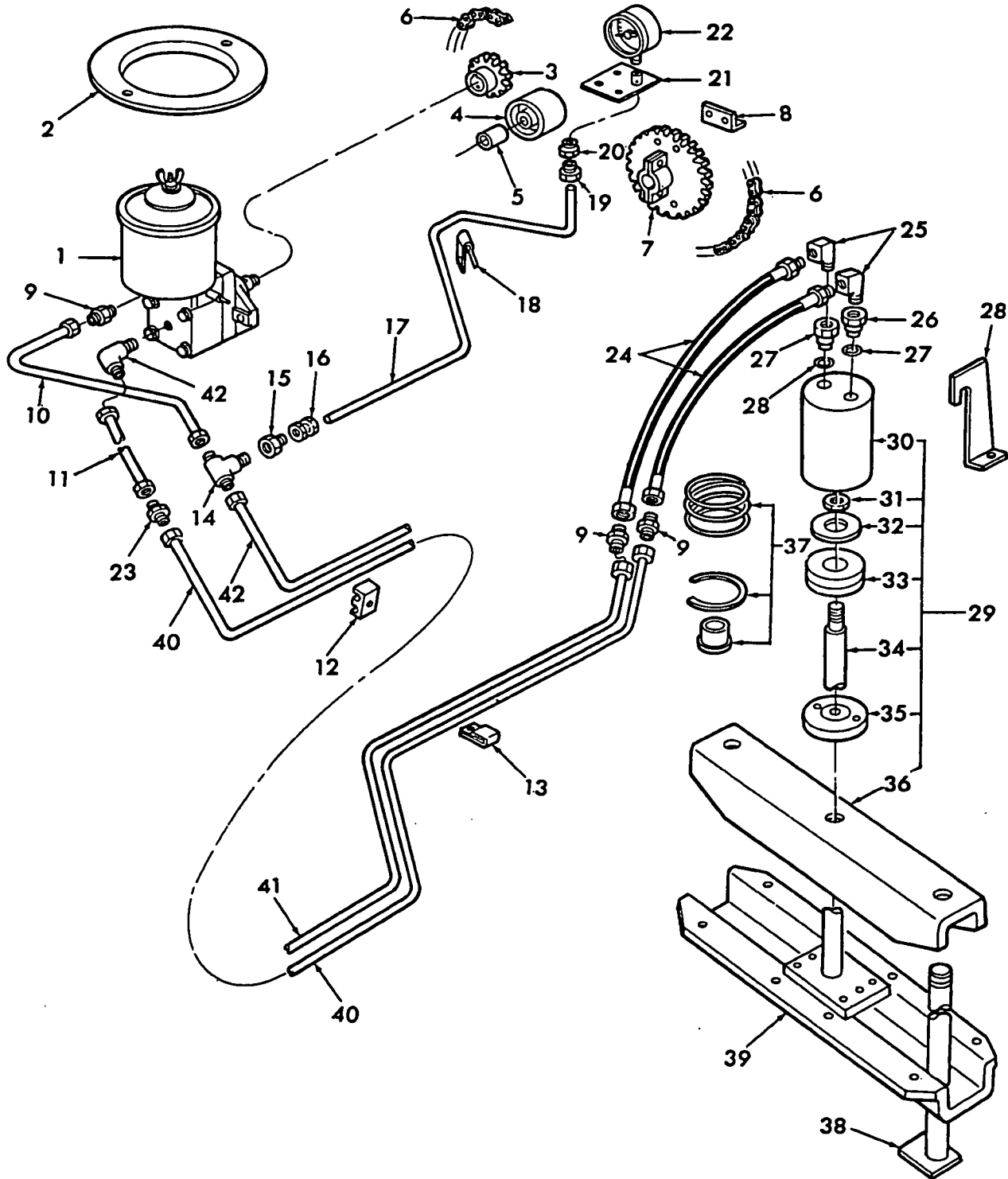
REF	FN	PART NUMBER	FINIS	YR/SN	QTY	DESCRIPTION
12		604896	8604896		2	Clamp - Double
		120101	8120101		2	Screw - Cap - Hex Hd. - M6 x 30 mm
		322357	8322357		2	Washer - Lock - M6
		100014	8100014		2	Nut - Hex - M6
13		605025	8605025		2	Clamp
		300348	8300348		2	Bolt - Carriage M8 x 25 mm
		322358	8322358		2	Washer - Lock - M8
		100015	8100015		2	Nut - Hex - M8
14		625015	8625015		1	Tee - Male Branch - 3/8" OD Tube x 1/4" NPT
15		63346	8063346		1	Adapter
16		708164	8708164		1	Fitting - Compression - Female 1/8" NPTF x 1/8" Tube OD
17	(1)	59585	8059585		1	Hydraulic Line Assembly - 1/8" (3.18 mm) OD x Approx. 37.4" (950 mm) Lg
18		237911	8237911		1	Clamp
		120100	8120100		1	Screw - Cap - Hex Hd. - M6 x 20 mm
		322357	8322357		1	Washer - Lock - M6
		100014	8100014		1	Nut - Hex - M6
19		59735	8059735		1	Fitting - Connector - Male - 1/8" NPTF x 1/8" Tube OD
20		87938	8087938		1	Bushing - Pipe - 1/4" x 1/8"
21		772255	8772255		1	Plate Weld Assembly
		120099	8120099		2	Screw - Cap - Hex Hd. - M6 x 16 mm
		322357	8322357		2	Washer - Lock - M6
		100014	8100014		2	Nut - Hex - M6
22		9807929	9807929		1	Gauge - Pressure
23		322897	8322897		1	Union
24		237732	8237732		2	Hydraulic Hose Assembly - 1/4" ID x 24" Lg - 6.4 mm x 610 mm
25		58771	8058771		2	Fitting - Street Elbow
26		126786	8126786		2	Adapter Assembly Includes: 28 O-Ring
27		9617873	9617873		2	O-Ring
28		174107	8174107		1	Hook
		120111	8120111		1	Screw - Cap - Hex Hd. - CL8.8 - M10 x 40 mm
		140045	8140045		1	Washer - Lock - M10
		100016	8100016		1	Nut - Hex - M10
29		592469	8592469		1	Tension Cylinder Assembly Includes: 31-38 Cylinder - Tension
30		592468	8592468		1	Cylinder - Tension
31		88559	8088559		1	Nut - Lock - Hex - 3/4" UNF Thin
32		84239	8084239		1	Washer - 3/4"
33	(2)	9620251	9620251		1	Piston Assembly

(1) - Tubing - 144" (3657.6 mm) Lg, Cut To Desired Length

(2) - Includes Piston And (2) 235784 Backup Washer And (1) 271233 O-Ring

MODEL 568 SQUARE BALER

FIG. 30 - HYDRAFORMATIC BALE TENSION KIT



MODEL 568 SQUARE BALER

FIG. 30 - HYDRAFORMATIC BALE TENSION KIT

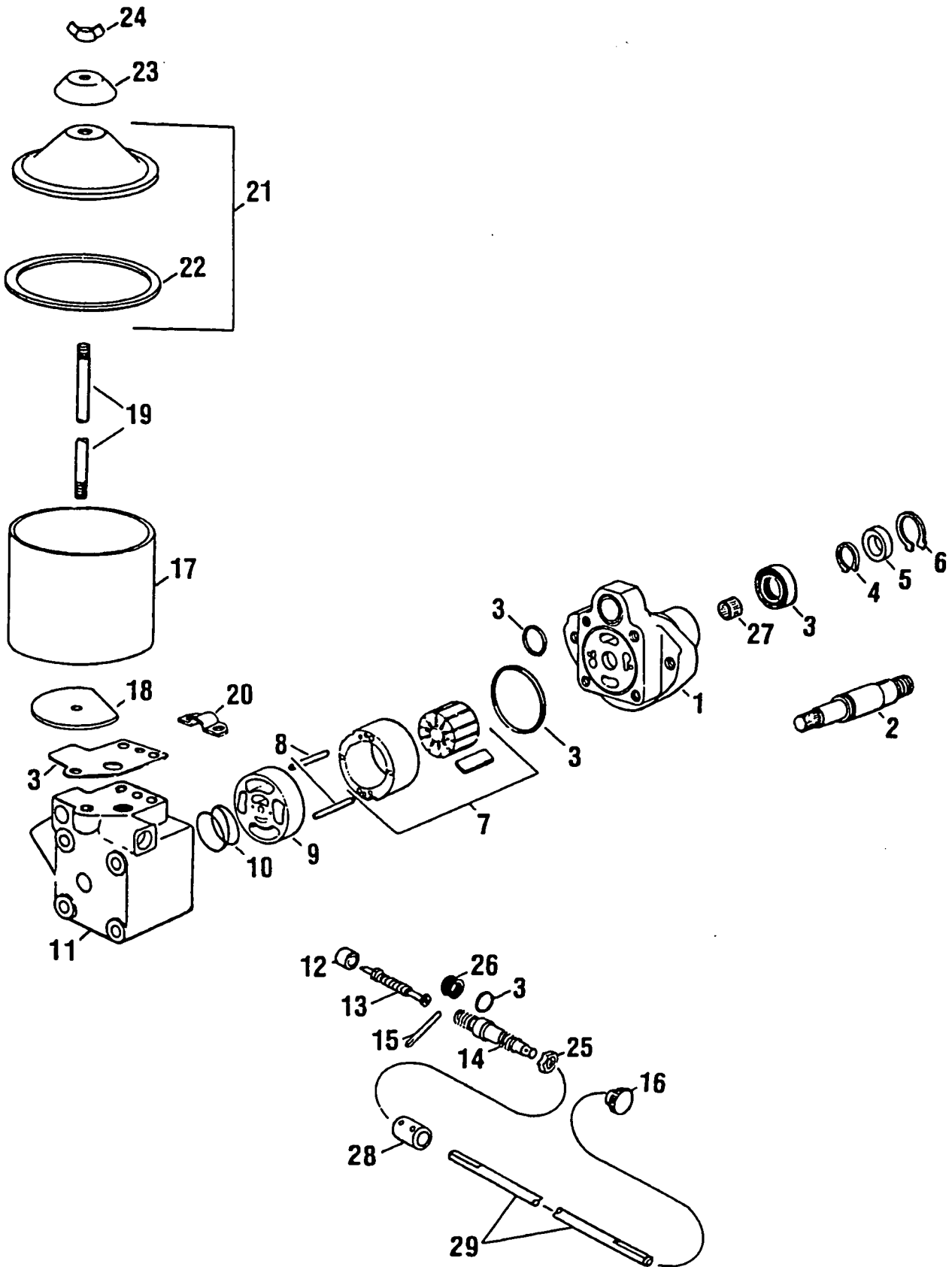
REF	FN	PART NUMBER	FINIS	YR/SN	QTY	DESCRIPTION
34		592465	8592465		1	Piston Rod Weld Assembly
		120111	8120111		2	Screw - Cap - Hex Hd. - CL8.8 - M10 x 40 mm
		140045	8140045		2	Washer - Lock - M10
		100016	8100016		2	Nut - Hex - M10
35		592466	8592466		1	Head - Cylinder
36		594265	8594265		1	Tension Bar Weld Assembly
		88011	8088011		2	Screw - Cap - Hex Hd. - G5 - 3/8" x 1-1/4"
		80679	8080679		2	Washer - Lock - 1/2"
37		592471	8592471		AR	Kit - Repair Includes: Bushing, Retaining Ring, Backup Washers & O-Ring
38		684351	8684351		2	Rod Weld Assembly
		120100	8120100		2	Screw - Cap - Hex Hd. - M6 x 20 mm
		353308	8353308		2	Nut - Lock - GC - M6
39		684354	8684354		1	Rail - Tension - Lower
		120111	8120111		4	Screw - Cap - Hex Hd. - M10 x 30 mm
		140045	8140045		4	Washer - Lock - M10
		100016	8100016		4	Nut - Hex - M10
40		NS			1	Tube Assembly - 3/8" (9.52 mm) OD x Approx. 73" (1856.5 mm) Lg
		514929	8514929		2	Sleeve
		514926	8514926		2	Nut
41		NS			1	Tube Assembly - 3/8" (9.52mm) OD x Approx. 70" (1785.3 mm) Lg
		514929	8514929		2	Sleeve
42		514926	8514926		2	Nut
		710225	8710225		1	Elbow - Male - 90°

AR - As Required

NS - Not Serviced - For Field Repairs, Refer To Ford New Holland Standard Parts Catalog For Instructions And Part Numbers.

MODEL 568 SQUARE BALER

FIG. 31 - HYDRAULIC PUMP 703197



MODEL 568 SQUARE BALER

FIG. 31 - HYDRAULIC PUMP 703197

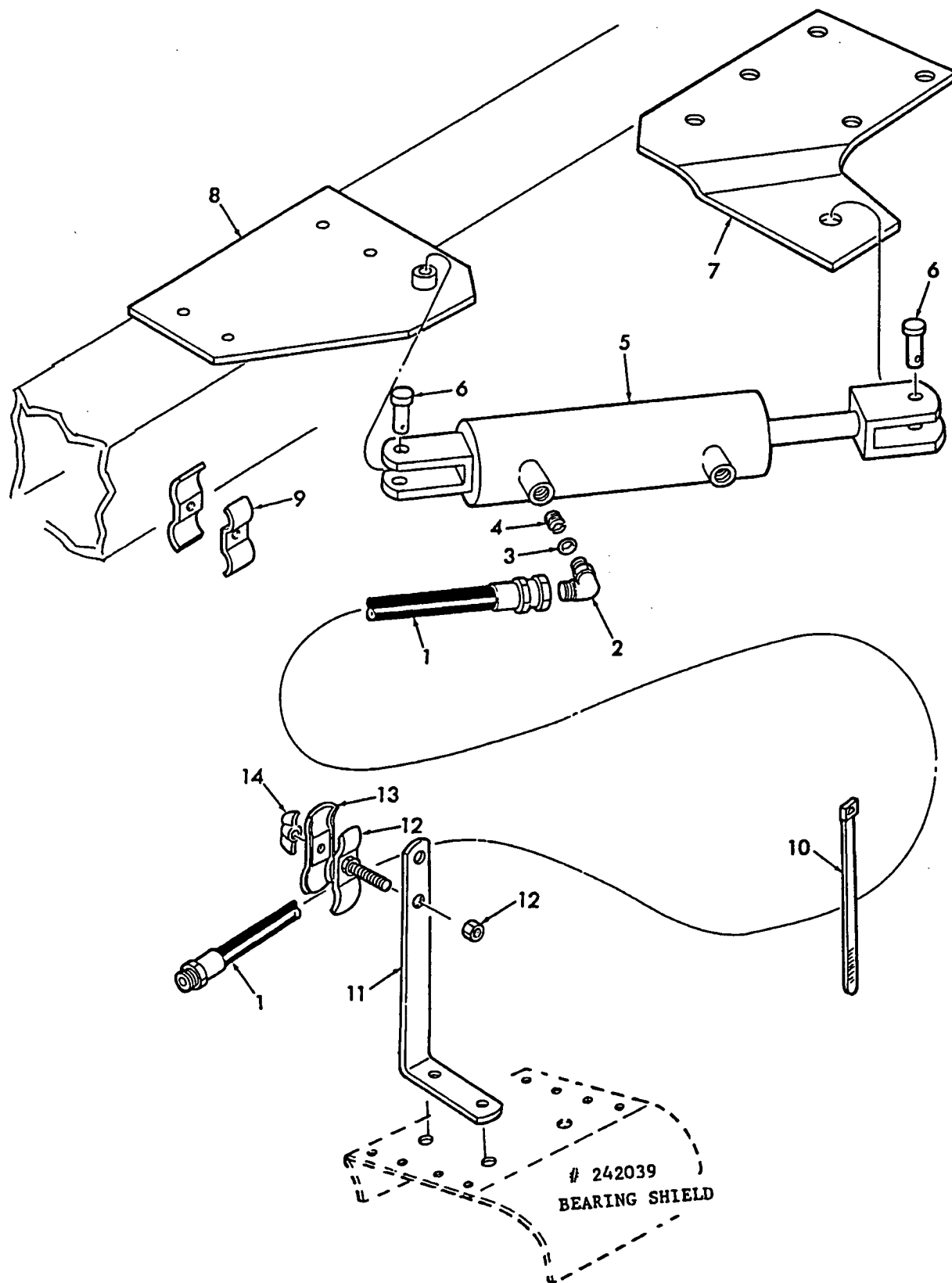
REF	FN	PART NUMBER	FINIS	YR/SN	QTY	DESCRIPTION
1		703197	8703197		1	Hydraulic Pump
2		273366	8273366		1	Body - Sub-Assembly
		128621	8128621		1	Shaft
		88406	8088406		1	Key - Woodruff #61 - 3/16" x 5/8"
3		128619	8128619		1	Kit - Seal & Gasket
						Includes: A-F
						Shaft - Seal
						O-Ring
						O-Ring
						O-Ring
						Gasket - Cover
						Gasket - Reservoir
4		41329	8041329		1	Ring - Retaining
5		12094	8012094		1	Bearing - Ball
6		12084	8012084		1	Ring - Retaining
7		273367	8273367		1	Kit - Cartridge
						Includes: Rotor, Vanes & Rings
8		127469	8127469		2	Pin
9		128623	8128623		1	Plate - Pressure
10		128624	8128624		1	Spring
11		273353	8273353		1	Cover - Sub-Assembly
		280161	8280161		4	Screw - Cap - Hex Hd. - G5 - 3/8" x 3"
12	(1)	273365	8273365		1	Seal
13	(1)	709186	8709186		1	Poppet
14	(1)	9600755	9600755		1	Screw
15	(1)	273363	8273363		1	Pin
16	(2)	127476	8127476		1	Knob - Order Separately Not Component of Assembly
17		128625	8128625		1	Tank
18		126127	8126127		1	Plate - Reservoir
19		136077	8136077		1	Stud
		84942	8084942		1	Nut - Hex - 1/4"
20		127462	8127462		1	Baffle
		88542	8088542		2	Screw - Cap - Hex Hd. - G5 - 1/4" x 1/2"
		80682	8080682		2	Washer - Lock - 1/4"
21		136076	8136076		1	Cover & Gasket Assembly
22		136082	8136082		1	Gasket
23		134256	8134256		1	Shield - Rain
24		84878	8084878		1	Nut - Wing - 1/4"
		80682	8080682		1	Washer - Lock - 1/4"
25	(1)	80855	8080855		1	Nut - Lock - for 9600755
26	(1)	273364	8273364		1	Washer - Stop
27		127468	8127468		1	Bearing - Needle
28	(2)	639498	8639498		1	Coupler
	(2)	84242	8084242		2	Screw - Set - Hex Socket - C.P. - #10 x 1/4"
29	(2)	848633	8848633		1	Shaft
	(1)	277203	8277203		AR	Kit - Repair
						Includes: 12-15, 25 & 26

(1) - Components Of Repair Kit 277203
 (2) - Not A Component Of 703197 Hydraulic Pump

AR - As Required

MODEL 568 SQUARE BALER

FIG. 32 - HYDRAULIC TONGUE SWING KIT



MODEL 568 SQUARE BALER

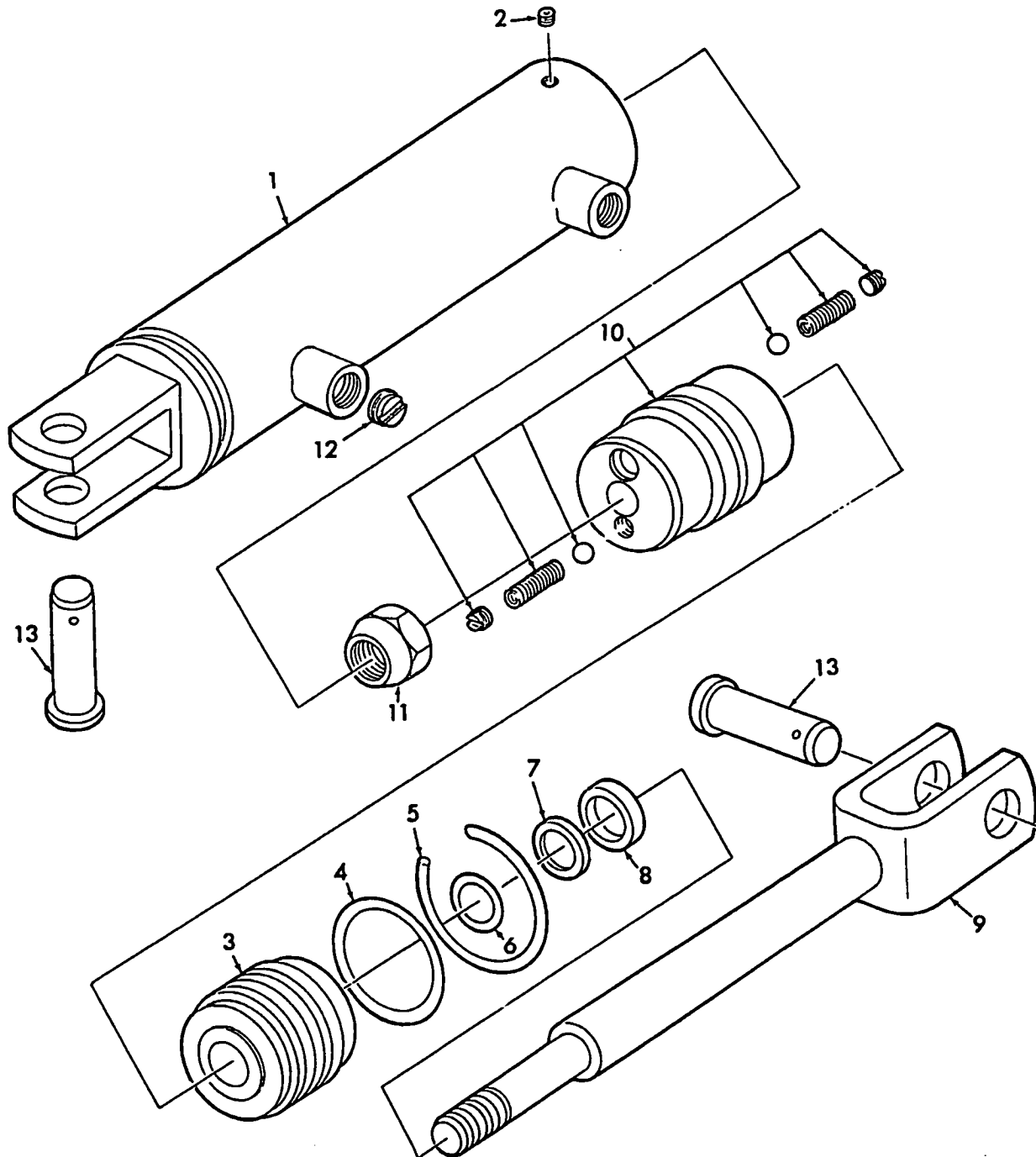
FIG. 32- HYDRAULIC TONGUE SWING KIT

REF	FN	PART NUMBER	FINIS	YR/SN	QTY	DESCRIPTION
1		795480	8795480		2	Hose
2		76347	8076347		2	Elbow Assembly - 90° Includes: 3 O-Ring
3		128825	8128825		2	O-Ring
4		849287	8849287		1	Plate - Orifice
5		849286	8849286		1	Hydraulic Cylinder Assembly - Refer to Separate Breakdown
6		514112	8514112		2	Pin - Clevis
		33778	8033778		2	Cotter - Hairpin
7		849418	8849418		1	Bracket
		385923	8385923		5	Screw - Cap - Hex Hd. - M16 x 55 mm
		394631	8394631		10	Washer - Heat Treated - M16
		100020	8100020		5	Nut - Hex - M16
8		9604372	9604372		1	Bracket Weld Assembly
		120089	8120089		4	Screw - Cap - Hex Hd. - M16 x 40 mm
		394631	8394631		4	Washer - Heat Treated - M16
9		42365	8042365		4	Clamp
		120111	8120111		2	Screw - Cap - Hex Hd. - M10 x 30 mm
		140045	8140045		2	Washer - Lock - M10
10		529070	8529070		1	Band - Plastic
		594116	8594116		1	Band - Plastic
11		854045	8854045		1	Support - Replace Existing Hardware
		120069	8120069		2	Screw - Cap - Hex Hd. - M10 x 50
12		42369	8042369		1	Clamp Assembly Includes: 13 & 14
		140045	8140045		1	Washer - Lock - M10
		84944	8084944		1	Nut - Hex - 3/8"
13		42365	8042365		1	Clamp
14		NSS			1	Nut - Wing

NSS - Not Serviced Separately

MODEL 568 SQUARE BALER

FIG. 33 - HYDRAULIC CYLINDER (HYDRAULIC TONGUE SWING KIT)



MODEL 568 SQUARE BALER

FIG. 33 - HYDRAULIC CYLINDER (HYDRAULIC TONGUE SWING KIT)

REF	FN	PART NUMBER	FINIS	YR/SN	QTY	DESCRIPTION
		849286	8849286			Hydraulic Cylinder Assembly Includes: 1-11
1		849285	8849285		1	Cylinder Weld Assembly
2		529034	8529034		1	Screw - Set - 1/4"
3		9621066	9621066		1	Cylinder Head Assembly Includes: 4 & 6-8
4		510204	8510204		2	O-Ring
5		512015	8512015		1	Ring - Retaining
6		134372	8134372		1	O-Ring
7		134371	8134371		1	Washer - Backup
8		128406	8128406		1	Seal
9		849295	8849295		1	Piston Rod Weld Assembly
10		849284	8849284		1	Piston Assembly
11		280724	8280724		1	Nut - Lock - 3/4" - UNF
12		849287	8849287		1	Plate - Orifice
13		514112	8514112		2	Pin - Clevis
		33778	8033778		2	Cotter - Hairpin
		593691	8593691		AR	Kit - Cylinder Repair Includes: 4-8

AR - As Required

MODEL 568 SQUARE BALER

NUMERICAL INDEX

PART NUMBER	FIG.	SEC	PAGE	PART NUMBER	FIG.	SEC	PAGE
000018	54	1	67	100015	* 14	1	55
100012	37	1	33		13	1	53
	38	1	33		38	1	59
100013	2	1	23		31	1	57
	4	1	17		22	1	57
	31	1	73		3	1	53
	12	1	63		2	1	53
	8	1	61		12	1	53
100014	17	1	55		11	1	53
	5	1	45		10	1	53
	10	1	45		7	1	53
	10	1	47		6	1	53
	12	1	83		5	1	53
	21	1	83		4	1	53
	18	1	83		3	1	49
	26	1	71		2	1	49
	34	1	73	100016	28	1	49
	5	1	17		25	1	49
	1	1	17		3	1	53
	6	1	17		14	1	55
	9	1	17		13	1	57
	11	1	21		9	1	47
	10	1	29		7	1	47
100015	31	1	31		16	1	71
	39	1	33		20	1	71
	37	1	33		26	1	63
	34	1	33		22	1	63
	33	1	33		39	1	85
	10	1	21		35	1	85
	6	1	21		28	1	83
	3	1	21		11	1	63
	2	1	21		7	1	63
	24	1	41		9	1	75
	1	1	21		2	1	75
	16	1	19		9	1	11
	14	1	19		12	1	17
	14	1	19		22	1	41
	13	1	19		11	1	41
	8	1	17		8	1	41
	12	1	17		22	1	37
	1	1	17		19	1	37
	33	1	73		2	1	45
	21	1	75		15	1	43
	7	1	77		8	1	21
	7	1	81		1	1	37
	13	1	83		32	1	33
	24	1	65		9	1	29
	26	1	65		30	1	23
	19	1	71	100020	9	1	31
	11	1	71		11	1	37
	8	1	71		7	1	89
	1	1	49	100031	10	1	49
	8	1	45	100037	24	1	49
	7	1	45		10	1	51
	16	1	55		4	1	53
	15	1	55		1	1	61

MODEL 568 SQUARE BALER

NUMERICAL INDEX

PART NUMBER	FIG.	SEC	PAGE	PART NUMBER	FIG.	SEC	PAGE
100037	*	3	1 61	120037	6	1	21
		22	1 75		37	1	33
		10	1 79		33	1	33
		7	1 79		7	1	77
		6	1 79		3	1	49
		1	1 79		3	1	53
		6	1 77		2	1	53
		5	1 77		14	1	55
		9	1 65		16	1	55
		6	1 71		15	1	55
		13	1 43		13	1	53
		4	1 43		12	1	53
		3	1 43		11	1	53
		17	1 31		19	1	71
		2	1 15		11	1	71
		4	1 11		7	1	53
100038		1	1 11		6	1	53
		29	1 13		5	1	53
		27	1 13		4	1	53
		15	1 31	120038	8	1	53
		53	1 67		2	1	49
		6	1 79		1	1	49
		5	1 61	120039	16	1	55
100039		18	1 61	120041	14	1	55
		10	1 63		3	1	53
		26	1 11		15	1	43
		31	1 13		2	1	75
		8	1 7		1	1	37
100067		21	1 7		22	1	37
		20	1 7		9	1	11
		7	1 15	120044	9	1	11
		40	1 33		26	1	37
		10	1 21		6	1	79
		36	1 67	120049	50	1	39
		21	1 71	120055	29	1	71
		25	1 71	120058	7	1	81
		23	1 55		22	1	71
		25	1 51		36	1	67
		22	1 51		24	1	65
100097		24	1 71	120060	26	1	65
100412		32	1 13		19	1	7
11104		5	1 69	120064	21	1	51
11106		2	1 69	120068	25	1	63
11108		12	1 69		5	1	71
11109		18	1 69		2	1	11
11117		13	1 69		27	1	35
11438		7	1 9		1	1	23
115150		25	1 23	120069	11	1	89
11787		24	1 57		1	1	61
11824		11	1 69		20	1	41
11839		30	1 69		2	1	45
11840		16	1 69	120070	4	1	43
11841		14	1 69		3	1	43
120013		10	1 45		3	1	61
		5	1 45	120071	8	1	51
120033		11	1 15		17	1	31

MODEL 568 SQUARE BALER

NUMERICAL INDEX

PART NUMBER	FIG.	SEC	PAGE	PART NUMBER	FIG.	SEC	PAGE
120073	8	1	65	120104	* 36	1	59
120077	6	1	29		22	1	57
120079	25	1	37		8	1	45
	34	1	39		7	1	45
	33	1	39		6	1	35
	1	1	11		21	1	35
120081	27	1	13		21	1	71
	12	1	47	120106	33	1	73
120082	14	1	41		7	1	15
	52	1	67		21	1	7
	13	1	31	120109	9	1	47
120089	8	1	89		1	1	45
	24	1	47		8	1	41
120090	3	1	31		25	1	49
	31	1	13	120111	11	1	41
120093	25	1	11		22	1	41
120098	4	1	17		6	1	45
120099	5	1	17		19	1	43
	1	1	17		6	1	43
	6	1	17		27	1	65
	9	1	17		11	1	63
	11	1	21		2	1	15
	26	1	71		14	1	35
	21	1	83		32	1	33
	10	1	47		20	1	75
	17	1	55		1	1	79
120100	17	1	51		3	1	77
	14	1	51		8	1	79
	18	1	83		7	1	79
	38	1	85		20	1	71
	2	1	81		9	1	89
	10	1	29		35	1	85
120101	12	1	83		39	1	85
120103	15	1	21		28	1	83
	31	1	31	120113	6	1	63
	10	1	21	120116	26	1	49
	3	1	21	120120	6	1	49
	2	1	21		8	1	47
	1	1	21		3	1	47
	16	1	19		27	1	31
	14	1	19		23	1	23
	14	1	19		7	1	35
	13	1	19		13	1	7
	34	1	33	120161	10	1	21
	39	1	33	120183	7	1	31
	8	1	17		5	1	61
	12	1	17	120191	25	1	51
	1	1	17	120200	9	1	63
	1	1	41	120205	14	1	65
	37	1	59	120212	9	1	37
	30	1	57	120215	6	1	7
	28	1	57	120245	19	1	37
	7	1	65		8	1	21
	39	1	59		12	1	17
120104	1	1	65		7	1	79
	19	1	71		6	1	79

MODEL 568 SQUARE BALER

NUMERICAL INDEX

PART NUMBER	FIG.	SEC	PAGE	PART NUMBER	FIG.	SEC	PAGE
120245	*	6	1 77	136418	*	9	1 25
		4	1 53	136521		17	1 43
		13	1 57	136553		12	1 37
		24	1 49	137361		5	1 49
		4	1 47	137938		13	1 51
12084		6	1 87	139881		49	1 67
12094		5	1 87	140020		14	1 45
121189		16	1 63	140045		6	1 45
122483		3	1 9			6	1 47
126127		18	1 87			9	1 47
126761		3	1 25			3	1 53
		10	1 27			9	1 51
126786		26	1 83			25	1 49
126961		11	1 71			45	1 67
127462		20	1 87			21	1 63
127468		27	1 87			11	1 63
127469		8	1 87			14	1 55
127476		16	1 87			13	1 57
127561		17	1 47			12	1 89
127587		19	1 11			9	1 89
128375		4	1 9			39	1 85
128383		14	1 65			35	1 85
128406		8	1 91			28	1 83
128619		3	1 87			8	1 75
128621		2	1 87			2	1 75
128623		9	1 87			20	1 71
128624		10	1 87			15	1 71
128625		17	1 87			2	1 45
128825		3	1 89			1	1 45
128868		2	1 31			23	1 43
129344		13	1 9			15	1 43
129345		12	1 9			11	1 41
130011		55	1 67			6	1 43
130293		12	1 15			21	1 41
130358		26	1 31			8	1 41
131902		12	1 25			22	1 37
132158		19	1 11			19	1 37
132447		13	1 61			29	1 23
132449		16	1 61			8	1 37
132452		7	1 61			1	1 37
132469		19	1 61			27	1 35
132709		44	1 39			14	1 35
132710		46	1 39			32	1 33
134018		19	1 47			9	1 11
134019		20	1 47			1	1 23
134020		18	1 47			8	1 21
134021		16	1 47			12	1 17
134064		16	1 49			2	1 15
134256		23	1 87	140046		27	1 13
134371		7	1 91			9	1 11
134372		6	1 91			13	1 7
135632		1	1 29			8	1 31
136076		21	1 87			23	1 23
136077		19	1 87			21	1 23
136082		22	1 87			26	1 37
136418		6	1 27			35	1 39

MODEL 568 SQUARE BALER

NUMERICAL INDEX

PART NUMBER	FIG.	SEC	PAGE	PART NUMBER	FIG.	SEC	PAGE
140046	* 33	1	39	196033	18	1	11
	14	1	41	197559	14	1	75
	3	1	81	197717	16	1	75
	11	1	57	200731	4	1	63
	8	1	49	200734	49	1	39
	8	1	47	211495	35	1	33
	14	1	47	211521	19	1	75
	3	1	47		28	1	65
	13	1	45	212733	29	1	39
140048	24	1	47	216328	23	1	63
	10	1	37	216698	57	1	67
	9	1	31		4	1	15
140090	31	1	67	217229	16	1	11
140108	11	1	43	218527	15	1	27
	4	1	41	221481	18	1	27
145458	4	1	49		2	1	29
145788	24	1	49	222003	12	1	63
	4	1	53	222554	7	1	35
	1	1	61	222555	7	1	35
146	27	1	69	223796	43	1	39
15	15	1	51	226036	11	1	41
163056	6	1	69	226244	22	1	7
163641	20	1	37	226245	18	1	7
164086	16	1	23	228127	21	1	7
165030	27	1	51	228681	48	1	67
165484	7	1	57	229241	21	1	71
165590	52	1	39		10	1	21
166244	36	1	67	237732	24	1	83
167444	31	1	23	237911	18	1	83
169702	11	1	9	242039	1	1	23
170004	26	1	65	242780	14	1	51
170005	6	1	41	244457	14	1	21
174107	28	1	83		4	1	17
174265	9	1	21	245530	40	1	39
175707	16	1	7	245531	42	1	39
176451	7	1	35	245532	41	1	39
179141	28	1	69	248883	3	1	57
180039	23	1	41	249127	38	1	13
182692	18	1	11	249130	10	1	11
183442	11	1	27	25	28	1	71
184317	5	1	29	25097	40	1	67
	14	1	27	25121	21	1	49
184388	8	1	45	25193	7	1	41
185140	14	1	71	252178	19	1	51
185562	20	1	43	25808	12	1	37
185746	4	1	27		52	1	39
	5	1	25	25810	7	1	41
187426	12	1	23	25812	12	1	37
	26	1	69	25817	52	1	39
188805	7	1	35	25819	7	1	41
188994	26	1	71	258425	12	1	29
189396	8	1	11	259247	4	1	57
189423	13	1	29	261798	11	1	29
189759	7	1	11	262183	14	1	29
195036	6	1	11	263017	13	1	27
195903	26	1	69	26364	2	1	79

MODEL 568 SQUARE BALER

NUMERICAL INDEX

PART NUMBER	FIG.	SEC	PAGE	PART NUMBER	FIG.	SEC	PAGE
26382	2	1	71	321246	9	1	31
	21	1	61	321662	11	1	15
26392	23	1	7	321803	37	1	33
264035	2	1	77		38	1	33
264198	2	1	65	322355	38	1	33
264552	11	1	17	322357	37	1	33
265119	10	1	71		10	1	47
26538	6	1	9		10	1	45
267571	18	1	37		5	1	45
26995	17	1	75		4	1	17
273353	11	1	87		1	1	17
273363	15	1	87		11	1	21
273364	26	1	87		10	1	29
273365	12	1	87		2	1	23
273366	1	1	87		9	1	17
273367	7	1	87		6	1	17
27367	8	1	57		5	1	17
27697	2	1	71		12	1	63
277203	29	1	87		31	1	73
280158	18	1	47		21	1	83
280161	11	1	87		18	1	83
280246	28	1	51		12	1	83
280431	4	1	81		2	1	81
280607	23	1	61		17	1	55
280631	4	1	49		8	1	61
280724	2	1	57	322358	39	1	59
	11	1	91		38	1	59
28110	32	1	73		37	1	59
	9	1	61		36	1	59
	3	1	23		31	1	57
28280	17	1	65		30	1	57
284620	10	1	57		28	1	57
285072	27	1	49		22	1	57
	36	1	67		16	1	55
	34	1	67		15	1	55
	3	1	11		14	1	55
285182	7	1	23		13	1	53
285183	11	1	23		12	1	53
286947	17	1	31		11	1	53
286948	16	1	31		9	1	53
287913	4	1	29		7	1	53
29046	4	1	65		6	1	53
29579	33	1	73		5	1	53
29684	14	1	31		4	1	53
29813	13	1	35		3	1	53
29814	13	1	35		2	1	53
29815	13	1	35		3	1	49
29851	8	1	23		2	1	49
29852	6	1	23		1	1	49
300348	13	1	83		7	1	77
300389	5	1	61		7	1	81
300508	15	1	7		13	1	83
300662	3	1	81		19	1	71
320771	11	1	61		11	1	71
32084	12	1	35		26	1	65
32124	2	1	15		7	1	65

MODEL 568 SQUARE BALER

NUMERICAL INDEX

PART NUMBER	FIG.	SEC	PAGE	PART NUMBER	FIG.	SEC	PAGE
322358	*	8	1 17	353308	*	15	1 7
		6	1 21			14	1 51
		3	1 21	354323		56	1 39
		2	1 21	35469		12	1 45
		1	1 21	354720		15	1 29
		16	1 19			13	1 65
		14	1 19	359726		34	1 73
		14	1 19	36057		33	1 13
		13	1 19	36267		24	1 63
		12	1 17	36723		20	1 11
		15	1 21	36726		21	1 11
		31	1 31	36727		22	1 11
		34	1 33	36800		33	1 67
		33	1 33	370008		7	1 43
		1	1 17	370012		20	1 57
		1	1 41	37193		40	1 33
		21	1 35	37426		24	1 35
		8	1 45	37436		23	1 35
		7	1 45	374887		20	1 23
		37	1 33	374892		13	1 57
		6	1 35	37705		15	1 35
		39	1 33	37707		22	1 35
322362		2	1 37	37734		17	1 35
322897		23	1 83	37783		14	1 35
323625		45	1 67	37785		21	1 35
32383		17	1 11	378398		4	1 35
334712		19	1 41	378399		5	1 35
337475		14	1 41	38030		26	1 35
		10	1 41	38031		26	1 35
		36	1 39	38032		26	1 35
		33	1 39	380420		11	1 57
		26	1 37	380424		3	1 79
		25	1 37			12	1 7
		9	1 31			27	1 23
		22	1 23	380425		17	1 49
		27	1 13			12	1 71
		9	1 11	380426		4	1 45
		13	1 7			4	1 45
		3	1 81			3	1 45
		11	1 57	381014		12	1 53
		15	1 47			2	1 53
		8	1 47	381523		11	1 7
		3	1 47	38305		1	1 79
		11	1 45	38527		21	1 55
		2	1 45	385923		7	1 89
33778			1 91	39170		3	1 69
		6	1 89	39224		17	1 69
34455		18	1 63	393598		5	1 51
		17	1 7	394631		8	1 89
350616		14	1 61			7	1 89
35097		13	1 57	395895		10	1 41
353308		18	1 51	3963214		9	1 43
		38	1 85	39725		6	1 75
		30	1 73	40241		9	1 49
		14	1 65	40662		5	1 45
		11	1 15	40697		6	1 43

MODEL 568 SQUARE BALER

NUMERICAL INDEX

PART NUMBER	FIG.	SEC	PAGE	PART NUMBER	FIG.	SEC	PAGE
40714	12	1	43	47407	4	1	37
40971	27	1	71	48462	5	1	81
412085	28	1	13	48527	42	1	59
412097	16	1	45	48976	35	1	13
412106	48	1	39	48977	36	1	13
	11	1	11	49637	17	1	61
412189	26	1	51	50564	22	1	45
412290	3	1	79	50600	2	1	9
	24	1	23	510204	4	1	91
412295	17	1	63	511265	6	1	37
41261	23	1	47	512015	5	1	91
412685	37	1	39	514112	13	1	91
41329	4	1	87		6	1	89
414	9	1	71	514926	42	1	85
41521	7	1	75		41	1	85
42365	13	1	89		11	1	81
	9	1	89		40	1	85
42369	12	1	89		10	1	81
42371	12	1	75		10	1	81
42427	30	1	67	514929	10	1	81
425520	30	1	31		11	1	81
42576	18	1	71		40	1	85
43048	8	1	41		11	1	81
43302	5	1	79		41	1	85
43458	14	1	31		42	1	85
43464	3	1	63		10	1	81
440584	2	1	45	516161	10	1	23
443076	21	1	57	523291	18	1	71
44316	3	1	81	52481	26	1	37
44428	6	1	81	528735	1	1	9
44612	5	1	47	529034	2	1	91
44654	23	1	51	529070	10	1	89
44680	24	1	51	53068	18	1	55
	12	1	27	535579	20	1	51
44775	43	1	67	536293	47	1	39
44806	5	1	75	536323	2	1	75
448796	11	1	75	536883	13	1	65
449785	6	1	35	536888	45	1	67
449921	15	1	7	54167	18	1	35
449922	14	1	7	54695	15	1	43
45393	27	1	37	54770	16	1	43
45876	25	1	41	56867	13	1	23
	5	1	43	570950	15	1	61
45882	5	1	43		4	1	31
	9	1	41	571382	1	1	15
45960	22	1	47	571995	6	1	25
46200	22	1	49	571996	8	1	25
46234	6	1	81	573003	21	1	45
46288	12	1	21	573004	18	1	45
46537	12	1	31	573649	14	1	41
46789	16	1	27	573958	9	1	23
47066	55	1	39	574809	13	1	11
47067	21	1	37	574810	14	1	11
47192	5	1	23	576220	14	1	63
47216	32	1	39	578189	19	1	37
47325	38	1	33	579577	19	1	23

MODEL 568 SQUARE BALER

NUMERICAL INDEX

PART NUMBER	FIG.	SEC	PAGE	PART NUMBER	FIG.	SEC	PAGE
58118	39	1	67	637020	25	1	49
58147	44	1	67	637576	3	1	17
58148	38	1	67		4	1	21
58153	20	1	35	638350	57	1	67
58224	20	1	49	638928	6	1	17
58225	18	1	49	639498	28	1	87
58260	19	1	49	639503	2	1	81
58588	12	1	41	64159	10	1	47
58630	17	1	37	641845	21	1	43
58745	51	1	39	642577	7	1	81
58771	25	1	83	642581	8	1	81
592465	35	1	85	643360	15	1	49
592466	35	1	85	643361	14	1	49
592468	30	1	83	643593	17	1	55
592469	29	1	83	64564	15	1	69
592471	37	1	85	645650	10	1	29
593691		1	91	645744	21	1	65
594116	10	1	89	645970	22	1	55
594265	36	1	85	646318	4	1	49
59585	17	1	83	65319	5	1	61
59735	19	1	83		13	1	47
602702	10	1	65		3	1	29
602703	23	1	37		19	1	27
603728	19	1	69		27	1	13
603796	15	1	21		1	1	11
604896	12	1	83	66263	12	1	31
604937	3	1	37	66497	28	1	37
605025	13	1	83	672	15	1	65
608148	9	1	31		4	1	41
612244	24	1	69	673	5	1	41
613453	9	1	45		20	1	65
615073	20	1	69		39	1	39
615179	43	1	59	674	19	1	65
615731	5	1	31	67510	12	1	57
615732	6	1	31	67606	12	1	57
617445	51	1	67	678571	4	1	81
617446	50	1	67	682146	23	1	23
617632	10	1	45	684351	38	1	85
618179	9	1	81	684354	39	1	85
620683	10	1	69	688282	2	1	57
62196	38	1	59	691326	5	1	57
	31	1	57	693895	7	1	21
624898	16	1	51	698872	5	1	11
624955	4	1	51		2	1	61
625015	14	1	83	703197		1	87
625972	11	1	57		1	1	81
626037	3	1	51	708164	16	1	83
626698	20	1	63	708890	1	1	29
63346	15	1	83	709186	13	1	87
634037	18	1	65	710230	56	1	67
635210	18	1	31	710437	7	1	25
635569	1	1	49	710438	10	1	25
635570	2	1	49	710441	4	1	25
636420	20	1	31	710444	7	1	27
636422	24	1	31	710445	9	1	27
637008	9	1	49	711767	30	1	51

MODEL 568 SQUARE BALER

NUMERICAL INDEX

PART NUMBER	FIG.	SEC	PAGE	PART NUMBER	FIG.	SEC	PAGE
712978	8	1	27	80707	*	4	1 17
712979	5	1	27		8	1	61
713847	8	1	9	80709	7	1	35
714718	16	1	11	80719	26	1	57
714862	6	1	15	80744	14	1	7
72062	34	1	13	80754	36	1	33
748191	30	1	31	80755	19	1	45
748374	29	1	31		11	1	49
76347	2	1	89		20	1	61
763541	47	1	67		3	1	75
763883	13	1	25		1	1	71
76877	19	1	45	80756	9	1	71
771477	5	1	15		7	1	71
771478	3	1	15	80757	25	1	69
772255	21	1	83		1	1	69
777952	1	1	77	80765	46	1	67
778071	18	1	71		21	1	65
778072	17	1	71		6	1	65
781216	1	1	69	80837	16	1	69
781316	31	1	13	80855	25	1	87
781585	11	1	51	84239	33	1	83
784264	11	1	47		32	1	83
784746	9	1	69		25	1	23
785127	24	1	7		37	1	13
785919	1	1	51	84242	28	1	87
788853	18	1	43	84296	2	1	35
791787	12	1	65	84361	13	1	41
791788	11	1	65		6	1	41
795117	4	1	69		10	1	43
795480	1	1	89		4	1	43
796734	8	1	69		3	1	43
796738	9	1	69	84382	23	1	37
798197	2	1	27	84443	42	1	67
798199	1	1	27	84821	7	1	11
799031	27	1	35		7	1	17
800380	13	1	49	848451	13	1	63
80299	8	1	23	848456	10	1	15
80430	3	1	81	848465	5	1	63
	7	1	81	848469	8	1	63
80664	3	1	65		24	1	61
80679	7	1	35	848470	22	1	61
	4	1	81	848471	1	1	61
	36	1	85	848472	12	1	61
80680	1	1	81	848477	8	1	15
	42	1	67	848479	9	1	15
80681	8	1	81	848489	41	1	59
80682	20	1	87	848490	29	1	57
	24	1	87	848495	7	1	45
	18	1	47	848497	8	1	47
80684	7	1	11	848530	13	1	57
	7	1	17	848531	22	1	57
80701	11	1	15	848532	18	1	57
	15	1	7	848533	14	1	57
80702	15	1	9	848534	15	1	57
	4	1	77	848535	19	1	57
80707	7	1	17	848536	16	1	57

MODEL 568 SQUARE BALER

NUMERICAL INDEX

PART NUMBER	FIG.	SEC	PAGE	PART NUMBER	FIG.	SEC	PAGE
848537	23	1	57	849197	15	1	55
848539	38	1	59	849199	16	1	55
848540	30	1	57	849200	5	1	53
848541	36	1	59	849202	7	1	53
848542	28	1	57	849204	6	1	53
848543	37	1	59	849209	4	1	53
848545	17	1	57	849210	14	1	55
848563	3	1	45	849211	11	1	53
848564	4	1	45	849223	6	1	81
848574	3	1	47	849231	3	1	79
848583	24	1	47	849233	5	1	79
848596	37	1	67	849242	6	1	79
848603	17	1	41	849284	10	1	91
848606	24	1	41	849285	1	1	91
848607	16	1	41	849286	5	1	89
848616	25	1	37			1	91
848633	29	1	87	849287	12	1	91
848639	22	1	37		4	1	89
848659	23	1	31	849295	9	1	91
848661	18	1	31	849326	39	1	33
848664	7	1	65	849327	41	1	33
848667	45	1	39	849332	1	1	37
848670	5	1	65	849346	13	1	7
84878	24	1	87	849358	1	1	45
848780	25	1	31	849360	6	1	45
848783	11	1	63	849368	23	1	65
848798		1	65	849379	14	1	29
848849	42	1	67	849383	1	1	71
848852	46	1	67	849394	1	1	11
848853	2	1	45	849413	27	1	13
848857	1	1	47	849416	31	1	13
84887	24	1	11	849418	7	1	89
848880	26	1	65	84942	19	1	87
848883	32	1	67	84943	8	1	81
848887	10	1	75	84944	42	1	67
848906	35	1	59		12	1	89
848910	27	1	57	849471	6	1	25
848912	6	1	61	849472	10	1	25
848917	14	1	43	84949	18	1	47
848924	52	1	39	84950	35	1	67
848925	16	1	35	84968	16	1	37
848939	1	1	63		24	1	37
848956	23	1	11		31	1	39
848957	1	1	31	84971	20	1	45
849000	1	1	41	850618	2	1	25
849008	39	1	59	851968	25	1	7
849010	24	1	65	854045	11	1	89
849011	41	1	59	854819	8	1	69
849061	10	1	7	854913	7	1	15
84910	25	1	61	854963	3	1	71
	23	1	61	854993	9	1	7
849102	16	1	65	855228		1	7
849186	33	1	39	856703	1	1	25
849189	30	1	39	87016	20	1	71
849191	3	1	49		13	1	71
849194	3	1	53		29	1	67

MODEL 568 SQUARE BALER

NUMERICAL INDEX

PART NUMBER	FIG.	SEC	PAGE	PART NUMBER	FIG.	SEC	PAGE
87016	* 13	1	65	87400	* 15	1	63
	19	1	63	87406	10	1	9
	9	1	79	87414	21	1	35
	1	1	79		18	1	31
	18	1	75		3	1	27
	12	1	51		11	1	25
	3	1	61		2	1	7
87019	15	1	75		3	1	9
87041	2	1	47		16	1	65
87122	15	1	37		25	1	65
87277	18	1	47		24	1	65
87304	7	1	11		1	1	69
	7	1	17		19	1	61
87306	2	1	63		12	1	61
87309	13	1	25	87415	14	1	63
87340	14	1	23		1	1	69
87361	6	1	17	87455	5	1	9
	9	1	17	87463	3	1	69
	5	1	17	87569	41	1	67
	1	1	17		5	1	63
87362	1	1	17		6	1	61
	40	1	33		13	1	27
	8	1	17		2	1	29
	1	1	21		18	1	27
	16	1	19		18	1	41
	14	1	19	87587	13	1	75
	14	1	19	87653	23	1	69
	13	1	19	87673	17	1	27
	12	1	17	87812	22	1	69
	6	1	21	87938	20	1	83
	3	1	21	88011	36	1	85
	2	1	21	88019	31	1	39
	5	1	53	88062	6	1	57
	19	1	55	88130	3	1	81
	6	1	53	88163	20	1	55
	2	1	49	88214	23	1	65
	1	1	49	88401	5	1	7
	23	1	71	88406	3	1	81
	19	1	71		2	1	87
87364	15	1	45	88419	4	1	81
	12	1	49	88434	18	1	69
	25	1	37		1	1	81
	15	1	41	88436	14	1	9
87365	5	1	37	88542	20	1	87
	25	1	61	88543	8	1	81
	4	1	75	88559	31	1	83
87381	21	1	47	88606	9	1	57
	12	1	11	88637	21	1	69
	14	1	7	88769	29	1	69
87397	8	1	23	88886	15	1	23
87398	9	1	9	88902	16	1	9
	25	1	47		29	1	51
87399	3	1	41	88971	24	1	37
	2	1	43		16	1	37
87400	54	1	39	91932	25	1	57
	14	1	37	9503185	14	1	29

MODEL 568 SQUARE BALER

NUMERICAL INDEX

PART NUMBER	FIG.	SEC	PAGE	PART NUMBER	FIG.	SEC	PAGE
9507737	28	1	23	9615175	7	1	35
9512667	4	1	63	9615177	38	1	39
9600755	14	1	87	9615571	31	1	57
9604345	30	1	13	9615573	34	1	59
9604372	8	1	89	9615574	32	1	59
9604376	9	1	11	9615575	33	1	59
9604394	7	1	79	9615770	25	1	35
9604395	19	1	71	9615771	19	1	35
9604401	9	1	17	9615816	31	1	31
9604406	1	1	17	9615817	28	1	31
9604411	5	1	17	9615986	7	1	37
9604412	2	1	17	9617868	7	1	29
9604413	5	1	21	9617873	27	1	83
9604416	6	1	21	9618232	21	1	75
9604421	13	1	21	9619679		1	21
9604425	3	1	21			1	19
9604427	1	1	53	9620103	4	1	79
9604433	10	1	17	9620251	34	1	83
9604434	16	1	19	9620384	1	1	35
9604435	15	1	19	9621066	3	1	91
9604436	14	1	19	9621869	17	1	45
9604439	12	1	17	9621911	7	1	41
9604440	13	1	53	9621919	8	1	43
9604441	1	1	21	9801065	8	1	29
9604451	2	1	53	9801069	7	1	17
9604452	12	1	53	9801096	7	1	49
9604474	37	1	33	9801459	6	1	41
9604476	24	1	49	9801460	13	1	41
9604478	5	1	51	9801461	2	1	41
9604479	6	1	51	9801463	10	1	43
9604488	2	1	51	9801464	4	1	43
9604490	25	1	51	9801466	3	1	43
9604491	7	1	51	9801469	53	1	39
9604502	23	1	49	9801470	16	1	37
9604506	13	1	19	9801471	13	1	37
9604507	2	1	45	9801472	31	1	39
9604508	2	1	45	9801474	24	1	37
9604510	8	1	17	9801511	1	1	43
9604513	10	1	41	9801581	22	1	43
9604514	10	1	61	9801645	22	1	65
9604522	9	1	31			1	69
9604528	1	1	75	9801646	1	1	69
9604531	5	1	61	9803122	9	1	47
9604533	40	1	59	9803878	7	1	7
9604535	7	1	71	9804056	1	1	7
9604539	21	1	31	9804884	7	1	77
9604540	2	1	23	9804885	6	1	77
	31	1	73	9806496	2	1	21
	8	1	61	9806603	22	1	31
	12	1	63	9807008	25	1	61
9604547	18	1	23	9807793	1	1	57
9604549	17	1	23	9807929	22	1	83
9604550	4	1	23	9809417	1	1	15
9604553	21	1	31	9809441	20	1	71
9604557	4	1	71	9820122		1	19
9615021	11	1	21			1	21

MODEL 568 SQUARE BALER

NUMERICAL INDEX

<u>PART NUMBER</u>	<u>FIG.</u>	<u>SEC</u>	<u>PAGE</u>	<u>PART NUMBER</u>	<u>FIG.</u>	<u>SEC</u>	<u>PAGE</u>
9820243	4	1	7				
9820250	3	1	7				
9820351	7	1	69				
9820487	13	1	69				
9821757	3	1	35				

MODEL 568 SQUARE BALER

FINIS INDEX

FINIS	FIG.	SEC	PAGE	FINIS	FIG.	SEC	PAGE	FINIS	FIG.	SEC	PAGE
8000015	15	1	51					8045882	5	1	43
8000025	28	1	71	8034455	17	1	7		9	1	41
8000146	27	1	69		18	1	63	8045960	22	1	47
8000414	9	1	71	8035097	13	1	57	8046200	22	1	49
8000672	15	1	65	8035469	12	1	45	8046234	6	1	81
	4	1	41	8036057	33	1	13	8046288	12	1	21
8000673	5	1	41	8036267	24	1	63	8046537	12	1	31
	39	1	39	8036723	20	1	11	8046789	16	1	27
	20	1	65	8036726	21	1	11	8047066	55	1	39
8000674	19	1	65	8036727	22	1	11	8047067	21	1	37
8011104	5	1	69	8036800	33	1	67	8047192	5	1	23
8011106	2	1	69	8037193	40	1	33	8047216	32	1	39
8011108	12	1	69	8037426	24	1	35	8047325	38	1	33
8011109	18	1	69	8037436	23	1	35	8047407	4	1	37
8011117	13	1	69	8037705	15	1	35	8048462	5	1	81
8011438	7	1	9	8037707	22	1	35	8048527	42	1	59
8011787	24	1	57	8037734	17	1	35	8048976	35	1	13
8011824	11	1	69	8037783	14	1	35	8048977	36	1	13
8011839	30	1	69	8037785	21	1	35	8049637	17	1	61
8011840	16	1	69	8038030	26	1	35	8050564	22	1	45
8011841	14	1	69	8038031	26	1	35	8050600	2	1	9
8012084	6	1	87	8038032	26	1	35	8052481	26	1	37
8012094	5	1	87	8038305	1	1	79	8053068	18	1	55
8025097	40	1	67	8038527	21	1	55	8054167	18	1	35
8025121	21	1	49	8039170	3	1	69	8054695	15	1	43
8025193	7	1	41	8039224	17	1	69	8054770	16	1	43
8025808	52	1	39	8039725	6	1	75	8056867	13	1	23
	12	1	37	8040241	9	1	49	8058118	39	1	67
8025810	7	1	41	8040662	5	1	45	8058147	44	1	67
8025812	12	1	37	8040697	6	1	43	8058148	38	1	67
8025817	52	1	39	8040714	12	1	43	8058153	20	1	35
8025819	7	1	41	8040971	27	1	71	8058224	20	1	49
8026364	2	1	79	8041261	23	1	47	8058225	18	1	49
8026382	2	1	71	8041329	4	1	87	8058260	19	1	49
	21	1	61	8041521	7	1	75	8058588	12	1	41
8026392	23	1	7	8042365	9	1	89	8058630	17	1	37
8026538	6	1	9		13	1	89	8058745	51	1	39
8026995	17	1	75	8042369	12	1	89	8058771	25	1	83
8027367	8	1	57	8042371	12	1	75	8059585	17	1	83
8027697	2	1	71	8042427	30	1	67	8059735	19	1	83
8028110	9	1	61	8042576	18	1	71	8062196	38	1	59
	32	1	73	8043048	8	1	41		31	1	57
	3	1	23	8043302	5	1	79	8063346	15	1	83
8028280	17	1	65	8043458	14	1	31	8064159	10	1	47
8029046	4	1	65	8043464	3	1	63	8064564	15	1	69
8029579	33	1	73	8044316	3	1	81	8065319	5	1	61
8029684	14	1	31	8044428	6	1	81		13	1	47
8029813	13	1	35	8044612	5	1	47		19	1	27
8029814	13	1	35	8044654	23	1	51		3	1	29
8029815	13	1	35	8044680	24	1	51		27	1	13
8029851	8	1	23		12	1	27		1	1	11
8029852	6	1	23	8044775	43	1	67	8066263	12	1	31
8032084	12	1	35	8044806	5	1	75	8066497	28	1	37
8032124	2	1	15	8045393	27	1	37	8067510	12	1	57
8032383	17	1	11	8045876	5	1	43	8067606	12	1	57
8033778	6	1	89		25	1	41	8072062	34	1	13

MODEL 568 SQUARE BALER

FINIS INDEX

FINIS	FIG.	SEC	PAGE	FINIS	FIG.	SEC	PAGE	FINIS	FIG.	SEC	PAGE
8076347	2	1	89		7	1	17		23	1	71
8076877	19	1	45	8084878	24	1	87	8087364	12	1	49
8080299	8	1	23	8084887	24	1	11		15	1	45
8080430	7	1	81	8084910	23	1	61		25	1	37
	3	1	81		25	1	61		15	1	41
8080664	3	1	65	8084942	19	1	87	8087365	5	1	37
8080679	4	1	81	8084943	8	1	81		4	1	75
	36	1	85	8084944	12	1	89		25	1	61
	7	1	35		42	1	67	8087381	14	1	7
8080680	1	1	81	8084949	18	1	47		21	1	47
	42	1	67	8084950	35	1	67		12	1	11
8080681	8	1	81	8084968	16	1	37	8087397	8	1	23
8080682	24	1	87		24	1	37	8087398	25	1	47
	20	1	87		31	1	39		9	1	9
	18	1	47	8084971	20	1	45	8087399	2	1	43
8080684	7	1	11	8087016	12	1	51		3	1	41
	7	1	17		29	1	67	8087400	54	1	39
8080701	11	1	15		13	1	65		14	1	37
	15	1	7		19	1	63		15	1	63
8080702	4	1	77		13	1	71	8087406	10	1	9
	15	1	9		3	1	61	8087414	3	1	9
8080707	7	1	17		20	1	71		2	1	7
	4	1	17		1	1	79		16	1	65
	8	1	61		18	1	75		24	1	65
8080709	7	1	35		9	1	79		25	1	65
8080719	26	1	57	8087019	15	1	75		1	1	69
8080744	14	1	7	8087041	2	1	47		19	1	61
8080754	36	1	33	8087122	15	1	37		12	1	61
8080755	11	1	49	8087277	18	1	47		21	1	35
	19	1	45	8087304	7	1	11		3	1	27
	3	1	75		7	1	17		11	1	25
	20	1	61	8087306	2	1	63		18	1	31
	1	1	71	8087309	13	1	25	8087415	1	1	69
8080756	7	1	71	8087340	14	1	23		14	1	63
	9	1	71	8087361	9	1	17	8087455	5	1	9
8080757	25	1	69		6	1	17	8087463	3	1	69
	1	1	69		5	1	17	8087569	41	1	67
8080765	46	1	67		1	1	17		5	1	63
	6	1	65	8087362	1	1	17		6	1	61
	21	1	65		12	1	17		2	1	29
8080837	16	1	69		8	1	17		18	1	27
8080855	25	1	87		6	1	21		13	1	27
8084239	32	1	83		3	1	21		18	1	41
	33	1	83		1	1	21	8087587	13	1	75
	25	1	23		2	1	21	8087653	23	1	69
	37	1	13		16	1	19	8087673	17	1	27
8084242	28	1	87		14	1	19	8087812	22	1	69
8084296	2	1	35		14	1	19	8087938	20	1	83
8084361	6	1	41		13	1	19	8088011	36	1	85
	13	1	41		40	1	33	8088019	31	1	39
	3	1	43		1	1	49	8088062	6	1	57
	4	1	43		2	1	49	8088130	3	1	81
	10	1	43		19	1	55	8088163	20	1	55
8084382	23	1	37		6	1	53	8088214	23	1	65
8084443	42	1	67		5	1	53	8088401	5	1	7
8084821	7	1	11		19	1	71	8088406	2	1	87

MODEL 568 SQUARE BALER

FINIS INDEX

FINIS	FIG.	SEC	PAGE	FINIS	FIG.	SEC	PAGE	FINIS	FIG.	SEC	PAGE
	3	1	81		14	1	19		22	1	37
8088419	4	1	81		16	1	19		1	1	37
8088434	1	1	81		1	1	21		28	1	49
	18	1	69		2	1	21		25	1	49
8088436	14	1	9		3	1	21		7	1	47
8088542	20	1	87		6	1	21		9	1	47
8088543	8	1	81		15	1	55		15	1	43
8088559	31	1	83		16	1	55		2	1	45
8088606	9	1	57		14	1	55	8100020	11	1	37
8088637	21	1	69		12	1	53		9	1	31
8088769	29	1	69		13	1	53		7	1	89
8088886	15	1	23		2	1	53	8100031	10	1	49
8088902	16	1	9		5	1	53	8100037	24	1	49
	29	1	51		4	1	53		10	1	51
8088971	24	1	37		3	1	53		13	1	43
	16	1	37		11	1	53		4	1	43
8091932	25	1	57		10	1	53		3	1	43
8100012	37	1	33		6	1	53		17	1	31
	38	1	33		7	1	53		4	1	11
8100013	2	1	23		38	1	59		2	1	15
	4	1	17		22	1	57		1	1	79
	8	1	61		31	1	57		5	1	77
	12	1	63		24	1	65		6	1	77
	31	1	73		26	1	65		22	1	75
8100014	26	1	71		8	1	71		10	1	79
	34	1	73		11	1	71		7	1	79
	18	1	83		13	1	83		6	1	79
	21	1	83		7	1	81		4	1	53
	12	1	83		33	1	73		1	1	61
	17	1	55		19	1	71		3	1	61
	5	1	17		21	1	75		9	1	65
	6	1	17		7	1	77		6	1	71
	1	1	17	8100016	20	1	71	8100038	53	1	67
	9	1	17		2	1	75		5	1	61
	11	1	21		9	1	75		6	1	79
	10	1	29		35	1	85		29	1	13
	10	1	45		28	1	83		27	1	13
	10	1	47		39	1	85		1	1	11
	5	1	45		16	1	71		15	1	31
8100015	7	1	45		11	1	63	8100039	26	1	11
	8	1	45		7	1	63		31	1	13
	1	1	49		22	1	63		8	1	7
	2	1	49		26	1	63		18	1	61
	3	1	49		13	1	57		10	1	63
	24	1	41		3	1	53	8100067	36	1	67
	37	1	33		14	1	55		23	1	55
	39	1	33		12	1	17		21	1	7
	34	1	33		9	1	11		20	1	7
	33	1	33		8	1	21		21	1	71
	31	1	31		30	1	23		25	1	71
	10	1	21		32	1	33		7	1	15
	8	1	17		9	1	29		40	1	33
	1	1	17		22	1	41		10	1	21
	12	1	17		11	1	41		22	1	51
	13	1	19		8	1	41		25	1	51
	14	1	19		19	1	37	8100097	24	1	71

MODEL 568 SQUARE BALER

FINIS INDEX

FINIS	FIG.	SEC	PAGE	FINIS	FIG.	SEC	PAGE	FINIS	FIG.	SEC	PAGE
8100412	32	1	13	8120070	3	1	43		2	1	21
8115150	25	1	23		4	1	43		16	1	19
8120013	5	1	45		3	1	61		1	1	41
	10	1	45	8120071	8	1	51	8120104	21	1	35
8120033	11	1	15		17	1	31		6	1	35
8120037	6	1	21	8120073	8	1	65		8	1	45
	33	1	33	8120077	6	1	29		7	1	45
	37	1	33	8120079	1	1	11		1	1	65
	3	1	49		33	1	39		36	1	59
	19	1	71		34	1	39		22	1	57
	7	1	77		25	1	37		21	1	71
	16	1	55	8120081	12	1	47		19	1	71
	15	1	55		27	1	13	8120106	33	1	73
	14	1	55	8120082	13	1	31		21	1	7
	13	1	53		14	1	41		7	1	15
	4	1	53		52	1	67	8120109	1	1	45
	6	1	53	8120089	8	1	89		9	1	47
	5	1	53		24	1	47		25	1	49
	3	1	53	8120090	3	1	31		8	1	41
	2	1	53		31	1	13	8120111	11	1	41
	7	1	53	8120093	25	1	11		6	1	43
	11	1	53	8120098	4	1	17		22	1	41
	12	1	53	8120099	6	1	17		14	1	35
	11	1	71		5	1	17		19	1	43
8120038	8	1	53		9	1	17		6	1	45
	2	1	49		1	1	17		2	1	15
	1	1	49		11	1	21		32	1	33
8120039	16	1	55		10	1	47		9	1	89
8120041	14	1	55		21	1	83		20	1	71
	3	1	53		26	1	71		7	1	79
	2	1	75		17	1	55		8	1	79
	15	1	43	8120100	18	1	83		1	1	79
	22	1	37		38	1	85		3	1	77
	1	1	37		2	1	81		20	1	75
	9	1	11		14	1	51		39	1	85
8120044	9	1	11		17	1	51		28	1	83
	26	1	37		10	1	29		35	1	85
	6	1	79	8120101	12	1	83		11	1	63
8120049	50	1	39	8120103	39	1	59		27	1	65
8120055	29	1	71		37	1	59	8120113	6	1	63
8120058	22	1	71		28	1	57	8120116	26	1	49
	7	1	81		30	1	57	8120120	6	1	49
	24	1	65		7	1	65		8	1	47
	36	1	67		34	1	33		3	1	47
8120060	26	1	65		31	1	31		7	1	35
	19	1	7		39	1	33		27	1	31
8120064	21	1	51		15	1	21		23	1	23
8120068	27	1	35		10	1	21		13	1	7
	2	1	11		1	1	17	8120161	10	1	21
	1	1	23		8	1	17	8120183	7	1	31
	25	1	63		12	1	17		5	1	61
	5	1	71		3	1	21	8120191	25	1	51
8120069	1	1	61		13	1	19	8120200	9	1	63
	11	1	89		14	1	19	8120205	14	1	65
	20	1	41		14	1	19	8120212	9	1	37
	2	1	45		1	1	21	8120215	6	1	7

MODEL 568 SQUARE BALER

FINIS INDEX

FINIS	FIG.	SEC	PAGE	FINIS	FIG.	SEC	PAGE	FINIS	FIG.	SEC	PAGE
8120245	6	1	77	8136077	19	1	87		8	1	31
	7	1	79	8136082	22	1	87		21	1	23
	6	1	79	8136418	9	1	25		23	1	23
	13	1	57		6	1	27		14	1	41
	4	1	53	8136521	17	1	43		35	1	39
	19	1	37	8136553	12	1	37		33	1	39
	24	1	49	8137361	5	1	49		26	1	37
	4	1	47	8137938	13	1	51		8	1	49
	8	1	21	8139881	49	1	67		8	1	47
	12	1	17	8140020	14	1	45		14	1	47
8121189	16	1	63	8140045	6	1	47		3	1	47
8122483	3	1	9		9	1	47		13	1	45
8126127	18	1	87		15	1	43	8140048	24	1	47
8126761	3	1	25		6	1	43		10	1	37
	10	1	27		1	1	45		9	1	31
8126786	26	1	83		23	1	43	8140090	31	1	67
8126961	11	1	71		2	1	45	8140108	4	1	41
8127462	20	1	87		6	1	45		11	1	43
8127468	27	1	87		9	1	51	8145458	4	1	49
8127469	8	1	87		25	1	49	8145788	24	1	49
8127476	16	1	87		8	1	37		4	1	53
8127561	17	1	47		19	1	37		1	1	61
8127587	19	1	11		19	1	37	8163056	6	1	69
8128375	4	1	9		22	1	37	8163641	20	1	37
8128383	14	1	65		14	1	35	8164086	16	1	23
8128406	8	1	91		27	1	35	8165030	27	1	51
8128619	3	1	87		1	1	37	8165484	7	1	57
8128621	2	1	87		8	1	41	8165590	52	1	39
8128623	9	1	87		11	1	41	8166244	36	1	67
8128624	10	1	87		21	1	41	8167444	31	1	23
8128625	17	1	87		29	1	23	8169702	11	1	9
8128825	3	1	89		1	1	23	8170004	26	1	65
8128868	2	1	31		32	1	33	8170005	6	1	41
8129344	13	1	9		9	1	11	8174107	28	1	83
8129345	12	1	9		2	1	15	8174265	9	1	21
8130011	55	1	67		12	1	17	8175707	16	1	7
8130293	12	1	15		8	1	21	8176451	7	1	35
8130358	26	1	31		45	1	67	8179141	28	1	69
8131902	12	1	25		15	1	71	8180039	23	1	41
8132158	19	1	11		11	1	63	8182692	18	1	11
8132447	13	1	61		21	1	63	8183442	11	1	27
8132449	16	1	61		13	1	57	8184317	14	1	27
8132452	7	1	61		3	1	53		5	1	29
8132469	19	1	61		14	1	55	8184388	8	1	45
8132709	44	1	39		12	1	89	8185140	14	1	71
8132710	46	1	39		9	1	89	8185562	20	1	43
8134018	19	1	47		28	1	83	8185746	5	1	25
8134019	20	1	47		35	1	85		4	1	27
8134020	18	1	47		39	1	85	8187426	12	1	23
8134021	16	1	47		20	1	71		26	1	69
8134064	16	1	49		2	1	75	8188805	7	1	35
8134256	23	1	87		8	1	75	8188994	26	1	71
8134371	7	1	91	8140046	3	1	81	8189396	8	1	11
8134372	6	1	91		13	1	7	8189423	13	1	29
8135632	1	1	29		11	1	57	8189759	7	1	11
8136076	21	1	87		27	1	13	8195036	6	1	11
					9	1	11				

MODEL 568 SQUARE BALER

FINIS INDEX

FINIS	FIG.	SEC	PAGE	FINIS	FIG.	SEC	PAGE	FINIS	FIG.	SEC	PAGE
8195903	26	1	69	8273367	7	1	87		11	1	71
8196033	18	1	11	8277203	29	1	87		16	1	55
8197559	14	1	75	8280158	18	1	47		14	1	55
8197717	16	1	75	8280161	11	1	87		15	1	55
8200731	4	1	63	8280246	28	1	51		12	1	53
8200734	49	1	39	8280431	4	1	81		13	1	53
8211495	35	1	33	8280607	23	1	61		3	1	53
8211521	28	1	65	8280631	4	1	49		2	1	53
	19	1	75	8280724	2	1	57		4	1	53
8212733	29	1	39		11	1	91		5	1	53
8216328	23	1	63	8284620	10	1	57		9	1	53
8216698	57	1	67	8285072	36	1	67		7	1	53
	4	1	15		34	1	67		6	1	53
8217229	16	1	11		27	1	49		11	1	53
8218527	15	1	27		3	1	11		39	1	59
8221481	18	1	27	8285182	7	1	23		38	1	59
	2	1	29	8285183	11	1	23		37	1	59
8222003	12	1	63	8286947	17	1	31		36	1	59
8222554	7	1	35	8286948	16	1	31		22	1	57
8222555	7	1	35	8287913	4	1	29		31	1	57
8223796	43	1	39	8300348	13	1	83		30	1	57
8226036	11	1	41	8300389	5	1	61		28	1	57
8226244	22	1	7	8300508	15	1	7		8	1	45
8226245	18	1	7	8300662	3	1	81		7	1	45
8228127	21	1	7	8320771	11	1	61		1	1	49
8228681	48	1	67	8321246	9	1	31		3	1	49
8229241	21	1	71	8321662	11	1	15		2	1	49
	10	1	21	8321803	37	1	33		6	1	35
8237732	24	1	83		38	1	33		21	1	35
8237911	18	1	83	8322355	38	1	33		1	1	41
8242039	1	1	23	8322357	37	1	33		1	1	17
8242780	14	1	51		10	1	29		12	1	17
8244457	14	1	21		2	1	23		8	1	17
	4	1	17		11	1	21		6	1	21
8245530	40	1	39		9	1	17		3	1	21
8245531	42	1	39		1	1	17		16	1	19
8245532	41	1	39		4	1	17		2	1	21
8248883	3	1	57		5	1	17		1	1	21
8249127	38	1	13		6	1	17		14	1	19
8249130	10	1	11		5	1	45		14	1	19
8252178	19	1	51		10	1	45		13	1	19
8258425	12	1	29		10	1	47		15	1	21
8259247	4	1	57		8	1	61		34	1	33
8261798	11	1	29		17	1	55		33	1	33
8262183	14	1	29		12	1	63		31	1	31
8263017	13	1	27		2	1	81		37	1	33
8264035	2	1	77		12	1	83		39	1	33
8264198	2	1	65		18	1	83	8322362	2	1	37
8264552	11	1	17		21	1	83	8322897	23	1	83
8265119	10	1	71		31	1	73	8323625	45	1	67
8267571	18	1	37	8322358	19	1	71	8334712	19	1	41
8273353	11	1	87		7	1	77	8337475	14	1	41
8273363	15	1	87		13	1	83		10	1	41
8273364	26	1	87		7	1	81		36	1	39
8273365	12	1	87		26	1	65		33	1	39
8273366	1	1	87		7	1	65		26	1	37

MODEL 568 SQUARE BALER

FINIS INDEX

FINIS	FIG.	SEC	PAGE	FINIS	FIG.	SEC	PAGE	FINIS	FIG.	SEC	PAGE
	25	1	37	8412685	37	1	39	8594116	10	1	89
	15	1	47	8425520	30	1	31	8594265	36	1	85
	2	1	45	8440584	2	1	45	8602702	10	1	65
	11	1	45	8443076	21	1	57	8602703	23	1	37
	3	1	47	8448796	11	1	75	8603728	19	1	69
	8	1	47	8449785	6	1	35	8603796	15	1	21
	9	1	31	8449921	15	1	7	8604896	12	1	83
	22	1	23	8449922	14	1	7	8604937	3	1	37
	27	1	13	8510204	4	1	91	8605025	13	1	83
	9	1	11	8511265	6	1	37	8608148	9	1	31
	11	1	57	8512015	5	1	91	8612244	24	1	69
	3	1	81	8514112	13	1	91	8613453	9	1	45
	13	1	7		6	1	89	8615073	20	1	69
8350616	14	1	61	8514926	42	1	85	8615179	43	1	59
8353308	14	1	65		41	1	85	8615731	5	1	31
	15	1	7		40	1	85	8615732	6	1	31
	38	1	85		11	1	81	8617445	51	1	67
	30	1	73		10	1	81	8617446	50	1	67
	11	1	15		10	1	81	8617632	10	1	45
	18	1	51	8514929	11	1	81	8618179	9	1	81
	14	1	51		10	1	81	8620683	10	1	69
8354323	56	1	39		11	1	81	8624898	16	1	51
8354720	15	1	29		10	1	81	8624955	4	1	51
	13	1	65		41	1	85	8625015	14	1	83
8359726	34	1	73		40	1	85	8625972	11	1	57
8370008	7	1	43		42	1	85	8626037	3	1	51
8370012	20	1	57	8516161	10	1	23	8626698	20	1	63
8374887	20	1	23	8523291	18	1	71	8634037	18	1	65
8374892	13	1	57	8528735	1	1	9	8635210	18	1	31
8378398	4	1	35	8529034	2	1	91	8635569	1	1	49
8378399	5	1	35	8529070	10	1	89	8635570	2	1	49
8380420	11	1	57	8535579	20	1	51	8636420	20	1	31
8380424	3	1	79	8536293	47	1	39	8636422	24	1	31
	12	1	7	8536323	2	1	75	8637008	9	1	49
	27	1	23	8536883	13	1	65	8637020	25	1	49
8380425	17	1	49	8536888	45	1	67	8637576	4	1	21
	12	1	71	8570950	15	1	61		3	1	17
8380426	4	1	45		4	1	31	8638350	57	1	67
	4	1	45	8571382	1	1	15	8638928	6	1	17
	3	1	45	8571995	6	1	25	8639498	28	1	87
8381014	12	1	53	8571996	8	1	25	8639503	2	1	81
	2	1	53	8573003	21	1	45	8641845	21	1	43
8381523	11	1	7	8573004	18	1	45	8642577	7	1	81
8385923	7	1	89	8573649	14	1	41	8642581	8	1	81
8393598	5	1	51	8573958	9	1	23	8643360	15	1	49
8394631	7	1	89	8574809	13	1	11	8643361	14	1	49
	8	1	89	8574810	14	1	11	8643593	17	1	55
8395895	10	1	41	8576220	14	1	63	8645650	10	1	29
8412085	28	1	13	8578189	19	1	37	8645744	21	1	65
8412097	16	1	45	8579577	19	1	23	8645970	22	1	55
8412106	48	1	39	8592465	35	1	85	8646318	4	1	49
	11	1	11	8592466	35	1	85	8678571	4	1	81
8412189	26	1	51	8592468	30	1	83	8682146	23	1	23
8412290	24	1	23	8592469	29	1	83	8684351	38	1	85
	3	1	79	8592471	37	1	85	8684354	39	1	85
8412295	17	1	63	8593691	1	1	91	8688282	2	1	57

MODEL 568 SQUARE BALER

FINIS INDEX

FINIS	FIG.	SEC	PAGE	FINIS	FIG.	SEC	PAGE	FINIS	FIG.	SEC	PAGE
8691326	5	1	57	8848472	12	1	61	8849000	1	1	41
8693895	7	1	21	8848477	8	1	15	8849008	39	1	59
8698872	5	1	11	8848479	9	1	15	8849010	24	1	65
	2	1	61	8848489	41	1	59	8849011	41	1	59
8703197	1	1	81	8848490	29	1	57	8849061	10	1	7
	1	1	87	8848495	7	1	45	8849102	16	1	65
8708164	16	1	83	8848497	8	1	47	8849186	33	1	39
8708890	1	1	29	8848530	13	1	57	8849189	30	1	39
8709186	13	1	87	8848531	22	1	57	8849191	3	1	49
8710230	56	1	67	8848532	18	1	57	8849194	3	1	53
8710437	7	1	25	8848533	14	1	57	8849197	15	1	55
8710438	10	1	25	8848534	15	1	57	8849199	16	1	55
8710441	4	1	25	8848535	19	1	57	8849200	5	1	53
8710444	7	1	27	8848536	16	1	57	8849202	7	1	53
8710445	9	1	27	8848537	23	1	57	8849204	6	1	53
8711767	30	1	51	8848539	38	1	59	8849209	4	1	53
8712978	8	1	27	8848540	30	1	57	8849210	14	1	55
8712979	5	1	27	8848541	36	1	59	8849211	11	1	53
8713847	8	1	9	8848542	28	1	57	8849223	6	1	81
8714718	16	1	11	8848543	37	1	59	8849231	3	1	79
8714862	6	1	15	8848545	17	1	57	8849233	5	1	79
8748191	30	1	31	8848563	3	1	45	8849242	6	1	79
8748374	29	1	31	8848564	4	1	45	8849284	10	1	91
8763541	47	1	67	8848574	3	1	47	8849285	1	1	91
8763883	13	1	25	8848574	3	1	47	8849286			
8771477	5	1	15	8848583	24	1	47				
8771478	3	1	15	8848596	37	1	67				
8772255	21	1	83	8848603	17	1	41	8849287	5	1	89
8777952	1	1	77	8848606	24	1	41				
8778071	18	1	71	8848607	16	1	41				
8778072	17	1	71	8848616	25	1	37	8849295	9	1	91
8781216	1	1	69	8848633	29	1	87	8849326	39	1	33
8781316	31	1	13	8848639	22	1	37	8849327	41	1	33
8781585	11	1	51	8848659	23	1	31	8849332	1	1	37
8784264	11	1	47	8848661	18	1	31	8849346	13	1	7
8784746	9	1	69	8848664	7	1	65	8849358	1	1	45
8785127	24	1	7	8848667	45	1	39	8849360	6	1	45
8785919	1	1	51	8848670	5	1	65	8849368	23	1	65
8788853	18	1	43	8848780	25	1	31	8849379	14	1	29
8791787	12	1	65	8848783	11	1	63	8849383	1	1	71
8791788	11	1	65	8848798				8849394	1	1	11
8795117	4	1	69	8848849	42	1	67	8849413	27	1	13
8795480	1	1	89	8848852	46	1	67	8849416	31	1	13
8796734	8	1	69	8848853	2	1	45	8849418	7	1	89
8796738	9	1	69	8848857	1	1	47	8849471	6	1	25
8798197	2	1	27	8848880	26	1	65	8849472	10	1	25
8798199	1	1	27	8848883	32	1	67	8850618	2	1	25
8799031	27	1	35	8848887	10	1	75	8851968	25	1	7
8800380	13	1	49	8848906	35	1	59	8854045	11	1	89
8848451	13	1	63	8848910	27	1	57	8854819	8	1	69
8848456	10	1	15	8848912	6	1	61	8854913	7	1	15
8848465	5	1	63	8848917	14	1	43	8854963	3	1	71
8848469	8	1	63	8848924	52	1	39	8854993	9	1	7
	24	1	61	8848925	16	1	35	8855228			
8848470	22	1	61	8848939	1	1	63	8856703	1	1	25
8848471	1	1	61	8848956	23	1	11	9503185	14	1	29
				8848957	1	1	31	9507737	28	1	23
								9512667	4	1	63

MODEL 568 SQUARE BALER

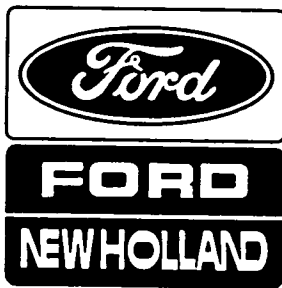
FINIS INDEX

FINIS	FIG.	SEC	PAGE	FINIS	FIG.	SEC	PAGE	FINIS	FIG.	SEC	PAGE
9600755	14	1	87	9615571	31	1	57	9820351	7	1	69
9604345	30	1	13	9615573	34	1	59	9820487	13	1	69
9604372	8	1	89	9615574	32	1	59	9821757	3	1	35
9604376	9	1	11	9615575	33	1	59				
9604394	7	1	79	9615770	25	1	35				
9604395	19	1	71	9615771	19	1	35				
9604401	9	1	17	9615816	31	1	31				
9604406	1	1	17	9615817	28	1	31				
9604411	5	1	17	9615986	7	1	37				
9604412	2	1	17	9617868	7	1	29				
9604413	5	1	21	9617873	27	1	83				
9604416	6	1	21	9618232	21	1	75				
9604421	13	1	21	9619679		1	21				
9604425	3	1	21			1	19				
9604427	1	1	53	9620103	4	1	79				
9604433	10	1	17	9620251	34	1	83				
9604434	16	1	19	9620384	1	1	35				
9604435	15	1	19	9621066	3	1	91				
9604436	14	1	19	9621869	17	1	45				
9604439	12	1	17	9621911	7	1	41				
9604440	13	1	53	9621919	8	1	43				
9604441	1	1	21	9801065	8	1	29				
9604451	2	1	53	9801069	7	1	17				
9604452	12	1	53	9801096	7	1	49				
9604474	37	1	33	9801459	6	1	41				
9604476	24	1	49	9801460	13	1	41				
9604478	5	1	51	9801461	2	1	41				
9604479	6	1	51	9801463	10	1	43				
9604488	2	1	51	9801464	4	1	43				
9604490	25	1	51	9801466	3	1	43				
9604491	7	1	51	9801469	53	1	39				
9604502	23	1	49	9801470	16	1	37				
9604506	13	1	19	9801471	13	1	37				
9604507	2	1	45	9801472	31	1	39				
9604508	2	1	45	9801474	24	1	37				
9604510	8	1	17	9801511	1	1	43				
9604513	10	1	41	9801581	22	1	43				
9604514	10	1	61	9801645	22	1	65				
9604522	9	1	31			1	69				
9604528	1	1	75	9801646	1	1	69				
9604531	5	1	61	9803122	9	1	47				
9604533	40	1	59	9803878	7	1	7				
9604535	7	1	71	9804056	1	1	7				
9604539	21	1	31	9804884	7	1	77				
9604540	2	1	23	9804885	6	1	77				
	12	1	63	9806496	2	1	21				
	8	1	61	9806603	22	1	31				
	31	1	73	9807008	25	1	61				
9604547	18	1	23	9807793	1	1	57				
9604549	17	1	23	9807929	22	1	83				
9604550	4	1	23	9809417	1	1	15				
9604553	21	1	31	9809441	20	1	71				
9604557	4	1	71	9820122		1	19				
9615021	11	1	21			1	21				
9615175	7	1	35	9820243	4	1	7				
9615177	38	1	39	9820250	3	1	7				

MODEL 568 SQUARE BALER

DEALER INFORMATION ONLY RECOMMENDED INITIAL PARTS STOCK

PART NO.	DESCRIPTION	QUANTITY FOR 5 MACHINES
15	Spring	1
18	Spring, Safety Ho	1
146	Roller, Knife Arm	2
11104	Spring	1
26392	Spring	1
26538	Spring	1
35469	Idler	1
36267	Spring	1
36800	Bearing, Cam Roll	1
37707	Seal, Oil	1
40714	Bearing, Cam Roll	3
41521	Disc, Trip Arm	1
42427	Spring	1
43048	Flange, Bearing	2
44680	Bearing	2
46537	Bearing	1
47216	Bearing	1
47325	Fastener, Snap	1
58260	Bearing	1
100412	Seal	1
121189	Seal	2
127561	Tire, Pickup Whee	1
134018	Bearing, Roller	1
134019	Seal, Washer	1
165030	Finger	2
197717	Spring	1
242780	Clip	1
252178	Finger	2
511265	Idler Sprocket, 1	1
574809	Bearing Cone	1
574810	Bearing Cup	1
603728	Knife Arm Kit	2
615073	Knife Kit	2
624955	Cap	4
625972	Knife, Slicing	1
626037	Stud Assembly	2
645744	Cam Gear Kit	2
688282	Bearing, Plunger	4
714862	Plunger Dog	3
771477	Spring	3
781585	Feeder Tooth	1
788853	Finger, Pickup	30
791787	Brake Shoe Assy	1
791788	Brake Shoe Assy	1
796734	Bill Hook Assy	1
848564	Guard, Pickup	5
9604531	Needle	1
9617868	Spring	4
9807929	Pressure Gauge	1



Replaces all Previous Issues